

FULLY-AUTOMATIC WINDOWS

BI-PARTING



BP-4841E



FM-42E

STANDARD FEATURES

- Shipped fully-assembled and ready to install
- Warranty backed with Nationwide Service Centers
- 1/4" clear tempered safety glass
- Weather resistant and sealed to protect from the elements
- Dark bronze or clear anodized aluminum
- Corrosion resistant material: Anodized aluminum and #304-#3 finish stainless steel
- Security locking systems
- Easy manual operation upon power failure
- Maximum security hook-bolt locks
- ETL Listed
- Thru-beam sensor

OPTIONAL FEATURES

- Custom colors available
- Reduced service openings for areas requiring 432 sq. inches
- Custom transoms and overall window sizes
- Various glazing options (B/R, Insulated, Tinted, etc)
- Electric Auto Locks
- Push button operation

MODEL BP-4841E

This flush-mount fully-automatic bi-parting slider glides smoothly on a top-hung slide rail system. Bi-parting windows work almost twice as fast as single sliders. An offset in the base prevents outside intrusion and repels water from entering into your establishment. This unit can also be glazed with 5/8" insulated glass.

Service Opening: 16"(w) x 29"(h)

MODEL FM-42E

This flush-mount bi-parting slider operates with two bi-parting top-hung doors generating faster speed of service. An overall base depth of 21" provides a stainless steel counter that both the attendant and the customer can use.

Service Opening: 15-1/2"(w) x 27"(h)

Interior Base: 42"(w) x 11"(d)

THRU-BEAM PHOTO-ELECTRIC EYE-BAR

Activated when the attendant stands between the emitter and receiver. Available on all electric sliders and is best used where there is limited space or tighter working conditions.

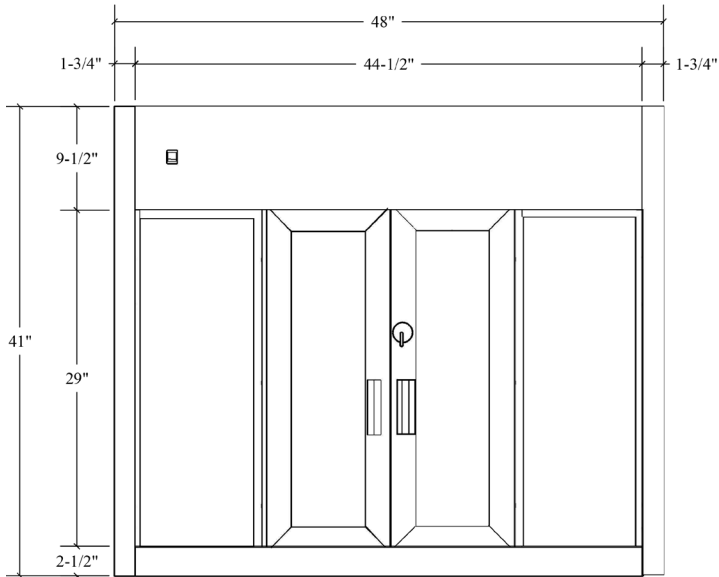


MODEL BP-4841E

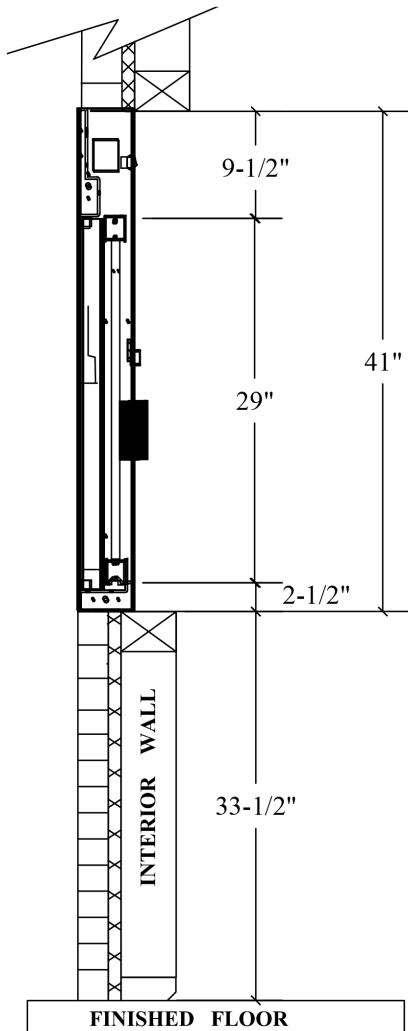
ROUGH OPENING: 48-3/8"(w) x 41-3/8"(h)

SERVICE OPENING: 16"(w) x 29"(h)

MAIN VIEW



SIDE VIEW

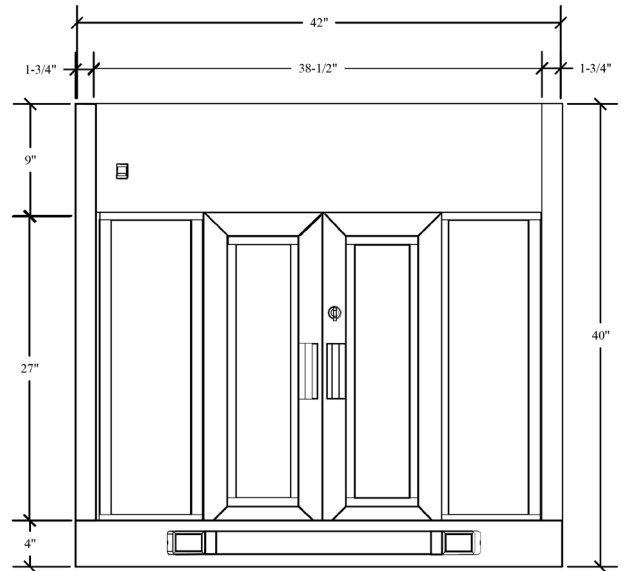


MODEL FM-42E

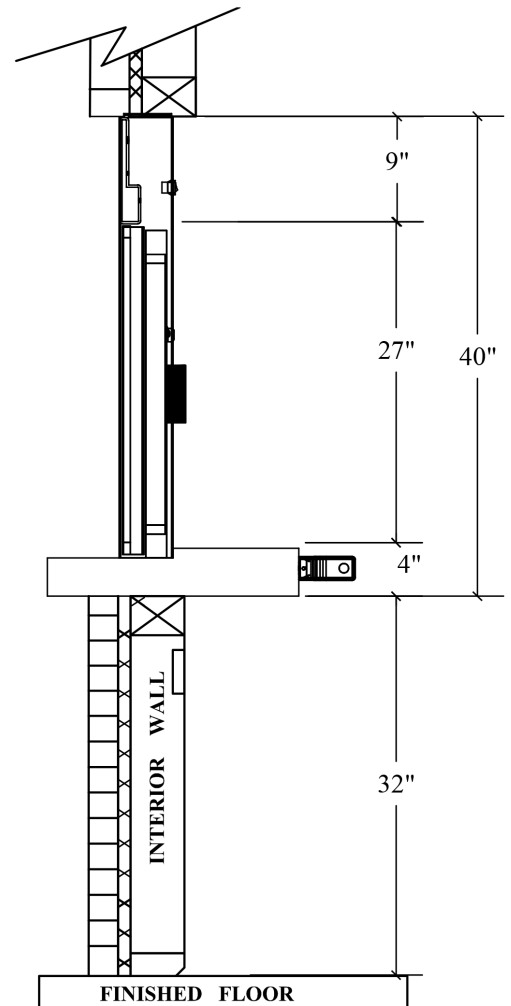
ROUGH OPENING: 42-1/2"(w) x 40-1/2"(h)

SERVICE OPENING: 15-1/2"(w) x 27"(h)

MAIN VIEW



SIDE VIEW



ALL QUIKSERV PRODUCTS ARE SHIPPED FULLY-ASSEMBLED and READY TO INSTALL. EACH ELECTRICAL UNIT IS SHIPPED WITH A FOUR FOOT (4') BX DROP.