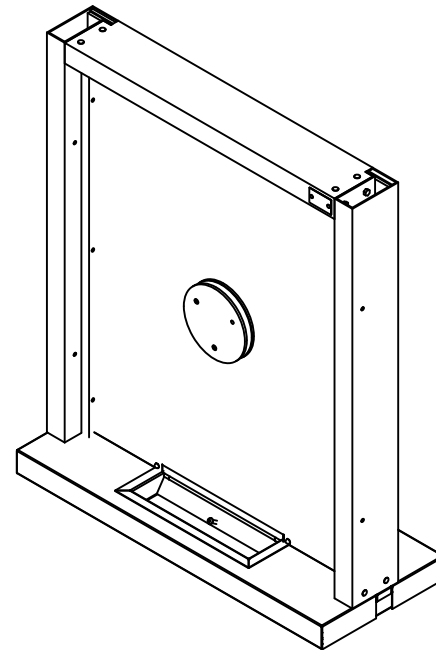
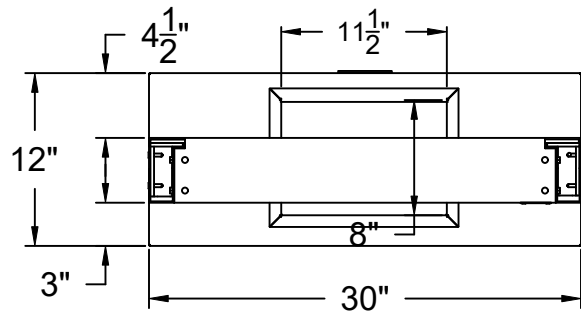
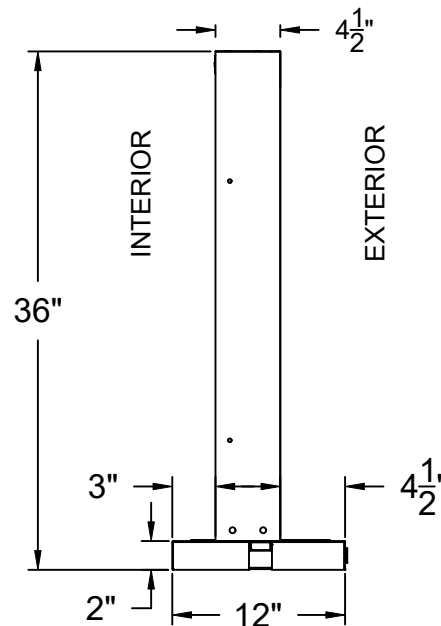
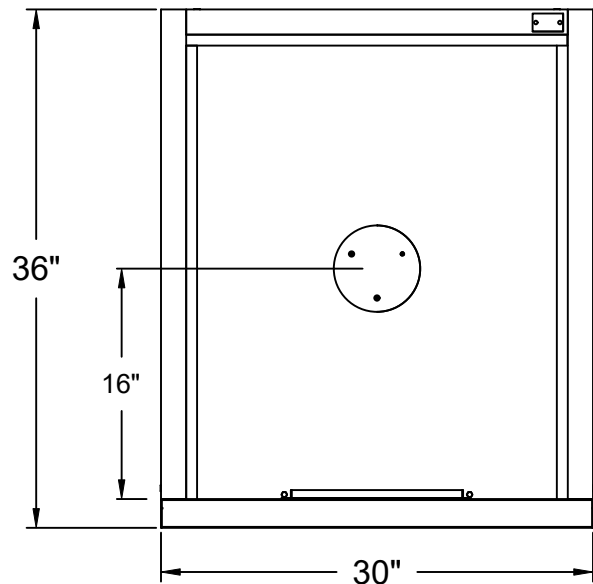


T1-3036 BR NEW GENERATION



INTERIOR



PLEASE SELECT:

1. FRAMING:

- Aluminum
- UL Rated Stainless
- Loaded Frame

2. FRAME COLOR:

- Bronze Anodized
 - Clear Anodized
- Other: _____

3. GLAZING:

- 1/4" Tempered
 - 3/4" Poly - L1
 - 1-1/4" Poly - L3
 - Storm Impact
 - 1" Insulated
 - 1" Insulated Low-E
 - 1-1/4" Acrylic - L1
 - 1-1/4" Acrylic - L3
- Other: _____

4. DEAL TRAY TYPE:

- Non-BR - Curved
- BR - Square

5. SPEAKER:

- 6" BR Speak-Thru (L3)
- 5" Non-BR Speak Plate
- SC-100 Amplified
- SC-100L Amplified
- Speak Around

Key Notes

Unit:
T1-3036 BR STANDARD

Actual Dimension:
30"(W) x 36"(H)

Rough Opening:
30-3/8"(W) x 36-3/8"(H)

Service Opening:
N/A

Engineer Notes

Date drawn: 11/4/2022 11:58 AM
Drawn by: SCOONROD
File name: T1-3036_BR_LD New Model Loaded.dwg
Page: _____ **Scale:** NTS

NOTE: THIS DRAWING EMBODIES A CONFIDENTIAL PROPRIETY DESIGN ORIGINATED AND OWNED BY QUIKSERV CORP., AND IS SUBMITTED UNDER A CONFIDENTIAL RELATIONS ALL PATENT, MANUFACTURING, SALE RIGHTS REGARDING THE SAME ARE RESERVED EXCEPT TO THE EXTENT RIGHTS ARE EXPRESSLY GRANTED TO OTHERS. THE RECIPIENT AGREES BY ACCEPTING THESE DRAWINGS NOT TO SUPPLY OR DISCLOSE ANY INFORMATION REGARDING THEM TO ANY UNAUTHORIZED PERSONAL.

SIGNATURE: _____

DATE: _____