

# BULK SECURITY DRAWERS

DRAWERS

# PACKAGE RECEIVERS

BULLET RESISTANT

## STANDARD FEATURES

- Shipped fully-assembled and ready to install
- Warranty backed with Nationwide Service Centers
- Weather resistant and sealed to protect from the elements
- Corrosion resistant material: anodized aluminum and #304-#3 finish stainless steel
- Security locking systems
- Level 1 bullet resistant in closed position
- Serviceability - drawer can be serviced without removing the entire unit
- Transfer area automatically locks when in a closed position

## OPTIONAL FEATURES

- Bullet resistant transoms and sidelites - Level 1, 2 or 3
- Call button and speakers
- Full intercom systems
- Infrared lane sensor

## MODELS QSB-12 & QSB-12S

Models QSB-12 and QSB-12S (speaker) offer increased safety for your employees while presenting the product in a friendly non-offensive manner. Transfers of larger and smaller items are easily performed. Optional call buttons and speakers make a complete drive-thru or walk-up package.

*Transfer Area: 13"(w) x 10"(h) x 21"(d)*



QSB-12S



## PACKAGE RECEIVERS

Quikserv's package receivers allow the transfer of large bulky items through a common wall while keeping all parties secure and safe. The doors have an interlocking device that ensures that only one door can be open at any given time. The customer side door comes with an automatic door closer and an internal lock for night time security. These units can be used in both interior and exterior walls.

## STANDARD FEATURES

- Available in stainless steel or transparent clear visible design for enhanced security
- Allows only one door to be opened at a time
- Exterior door self closes
- Available with Level 1 and Level 3 Bullet Resistant Protection based on UL752 standards
- Shipped assembled and ready for installation

## STEEL PACKAGE RECEIVER

*PR-1515 with Level 3 Bullet Resistant Protection*

Unit Dimensions: 15-3/16"W x 15-3/16"H x 18"D

Interior Transfer Area: 13-1/2"W x 13-1/4"H x 15-3/8"D

*PR-1616 with Level 3 Bullet Resistant Protection*

Unit Dimensions: 16"W x 16"H x 16"D

Interior Transfer Area: 13-1/2"W x 13-1/2"H x 13-1/2"D

*PR-2020 with Level 3 Bullet Resistant Protection*

Unit Dimensions: 20-3/16"W x 20-3/16"H x 18"D

Interior Transfer Area: 18-3/4"W x 18"H x 15-3/8"D

## TRANSPARENT PACKAGE RECEIVERS

Unit includes transparent clear walls with black laminated base.

*PR-1414 - Available in Level 1 or Level 3 Bullet Resistant Protection*

Unit Dimensions: 14"W x 14"H x 14"D

Interior Transfer Area: 8-3/4"W x 8-1/4"H x 11"D

*PR-1614 - Available in Level 1 or Level 3 Bullet Resistant Protection*

Unit Dimensions: 16"W x 14"H x 14"D

Interior Transfer Area: 10-3/4"W x 8-1/4"H x 11"D

*PR-1818 - Available in Level 1 or Level 3 Bullet Resistant Protection*

Unit Dimensions: 18"W x 18"H x 18"D

Interior Transfer Area: 12-3/4"W x 12-1/4"H x 15"D



PR-1515

Quikserv's bullet resistant package receiver allows the transfer of large bulky items through a common wall while keeping all parties and transactions safe and secure.

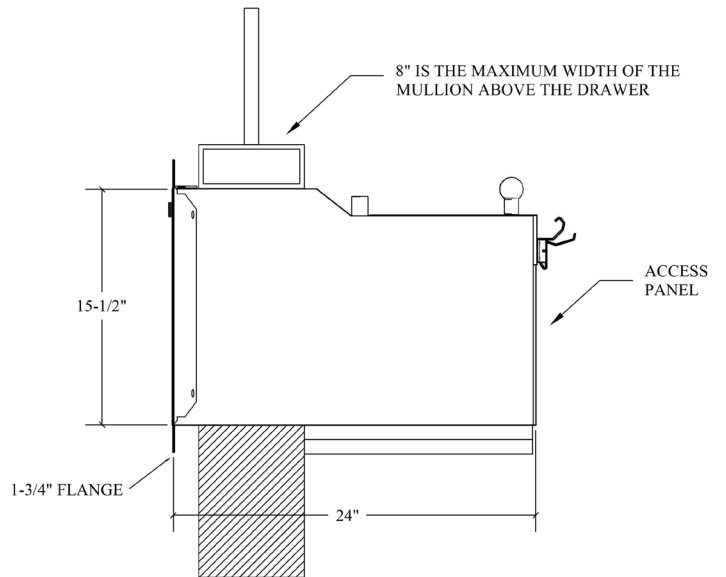
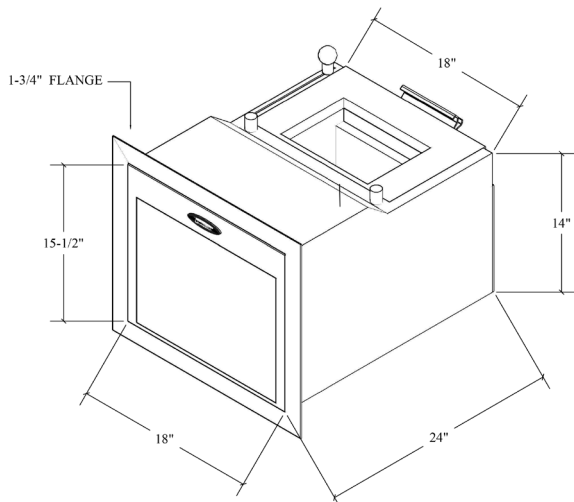
Quikserv's transparent bullet resistant package receiver provides complete visibility to help identify dangerous goods passed through the device.



PR-1414

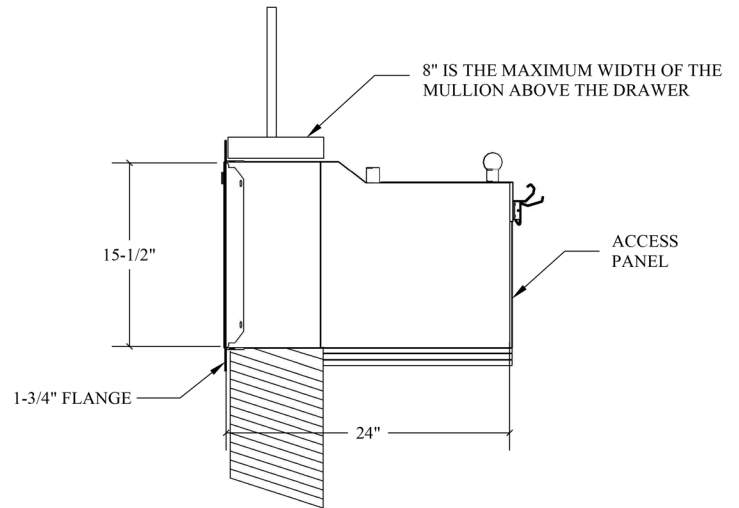
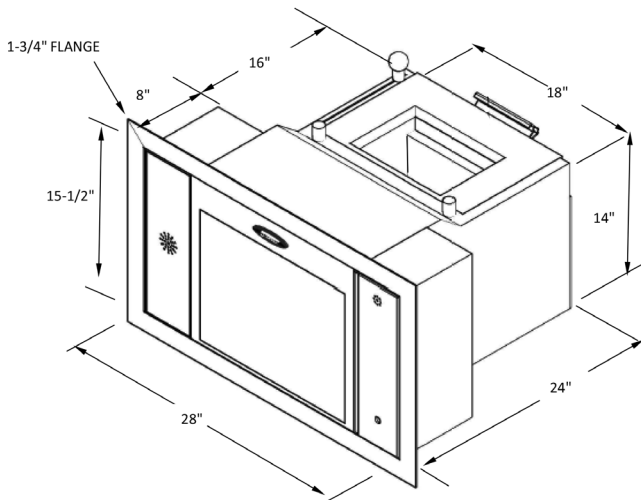
**MODELS QSB-12**

ROUGH OPENING: 18-3/8"W x 15-7/8"H



**MODELS QSB-12S**

ROUGH OPENING: 28-3/8"W x 15-7/8"H



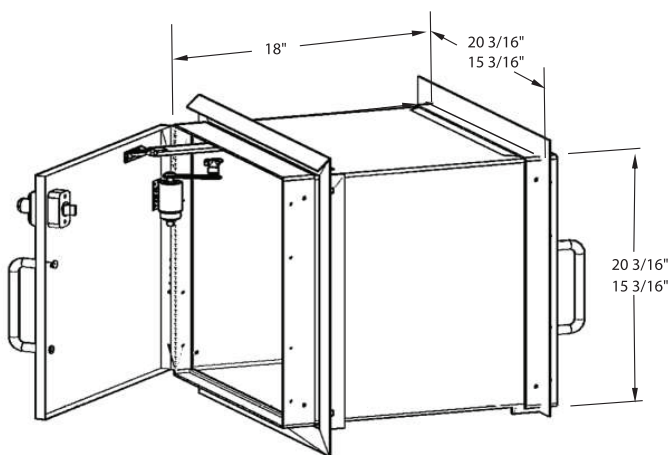
MODEL PR-1515 ROUGH OPENING: 15-1/2"W x 15-1/2"H

MODEL PR-2020 ROUGH OPENING: 20-1/2"W x 20-1/2"H

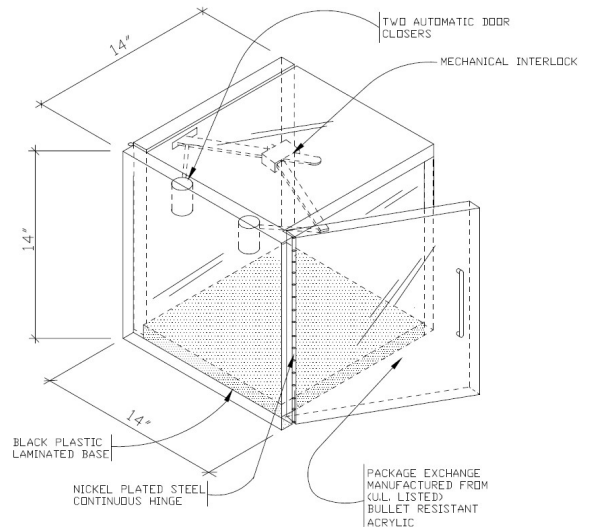
MODEL PR-1414 ROUGH OPENING: 14-5/16"W x 14-5/16"H

MODEL PR-1614 ROUGH OPENING: 16-5/16"W x 14-5/16"H

MODEL PR-1818 ROUGH OPENING: 18-5/16"W x 18-5/16"H



PR-2020



ALL QUIKSERV PRODUCTS ARE SHIPPED FULLY-ASSEMBLED and READY TO INSTALL.