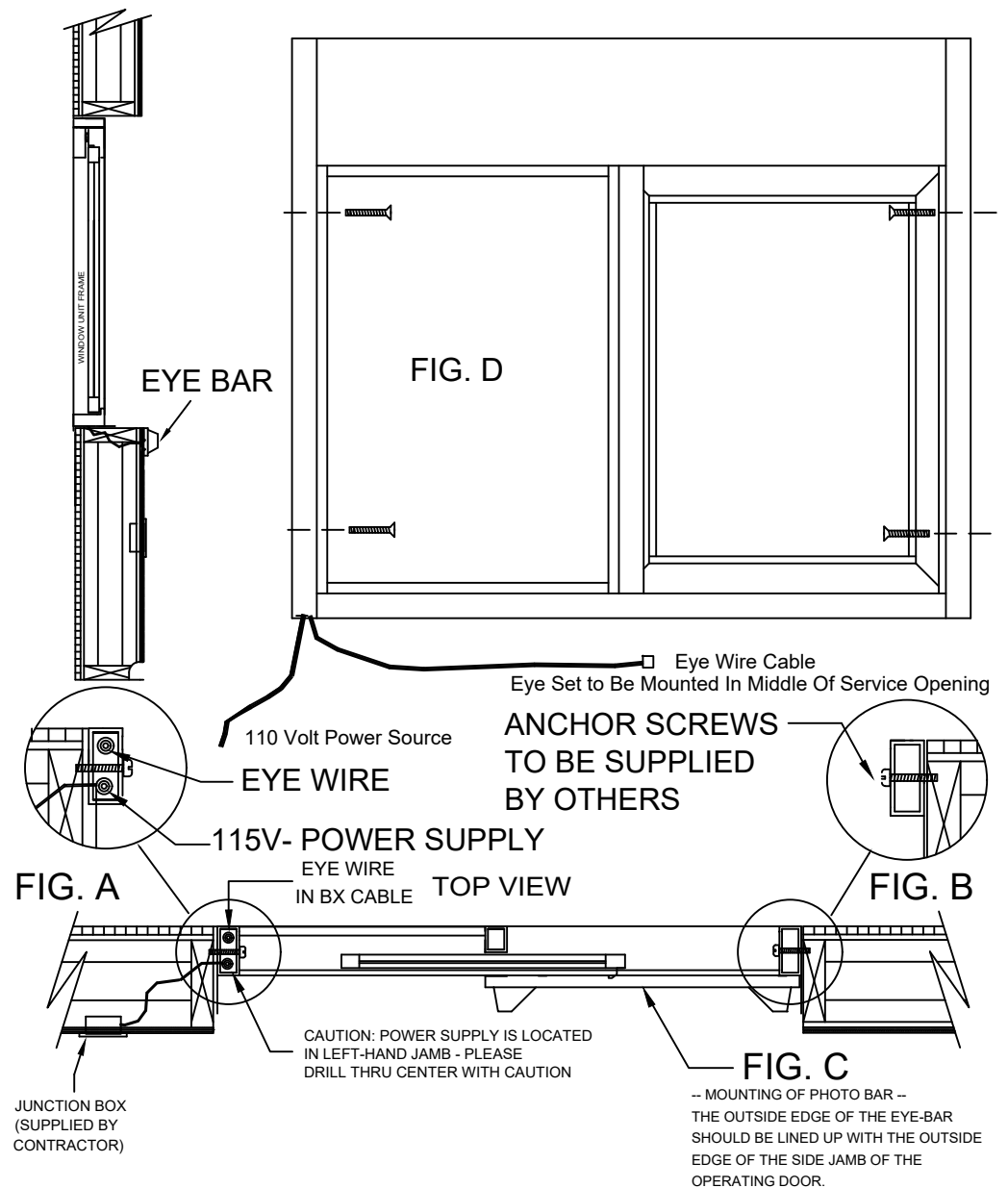


# TYPICAL SS-4844E INSTALLATION

- 1) QUIKSERV WINDOWS MUST BE INSTALLED LEVEL AND SQUARE TO WORK PROPERLY.
- 2) ANCHOR SCREWS TO BE SUPPLIED BY CONTRACTOR.
- 3) ANCHOR THROUGH EACH SIDE JAMB AT TWO PLACES APPROX. 5" AT TOP & BOTTOM OF EACH JAMB. (SEE FIG. D)
- 4) CAUTION WHEN DRILLING-POWER SUPPLY AND EYE WIRE LOCATED IN LEFT SIDE JAMB. (SEE FIG. A)
- 5) ALL PHOTO EYE BARS SHOULD BE MOUNTED BELOW WINDOW ON WALL. (SEE FIG. C)
- 6) 115V/15AMP DEDICATED CIRCUIT REQUIRED.
- 7) RECOMMENDED HEIGHT FROM FLOOR TO SERVICE OPENING TO BE 36". (CHECK ANY AND ALL LOCAL OR CITY CODES)
- 8) SILICONE ALL EXTERIOR AND INTERIOR JOINTS.
- 9) ALL OTHER TYPE OF ANCHORING TO BE APPROVED BY CERTIFIED ENGINEER.



NOTE: THIS DRAWING EMBODIES A CONFIDENTIAL PROPRIETY DESIGN ORIGINATED AND OWNED BY QUIKSERV CORP., AND IS SUBMITTED UNDER A CONFIDENTIAL RELATIONSHIP. ALL PATENT, MANUFACTURING, SALE RIGHTS REGARDING THE SAME ARE RESERVED EXCEPT TO THE EXTENT RIGHTS ARE EXPRESSLY GRANTED TO OTHERS. THE RECIPIENT AGREES BY ACCEPTING THESE DRAWINGS NOT TO SUPPLY OR DISCLOSE ANY INFORMATION REGARDING THEM TO ANY UNAUTHORIZED PERSON.

**Rough Opening:**  
47-7/8" (W) X 43-7/8" (H)

**Actual Dimension:**  
47-1/2" (W) X 43-1/2" (H)

**Service Opening:**  
20" (W) X 31-1/2" (H)

Quikserv Corp.

1-800-388-8307  
www.quikserv.com

## SS-4844E Installation Drawing

Drawing Name:  
SS-4844E INSTALLATION DWG.dwg

Scale:  
N/A

Date:  
12/7/2020

Drawn By:  
Avasquez

Rev.