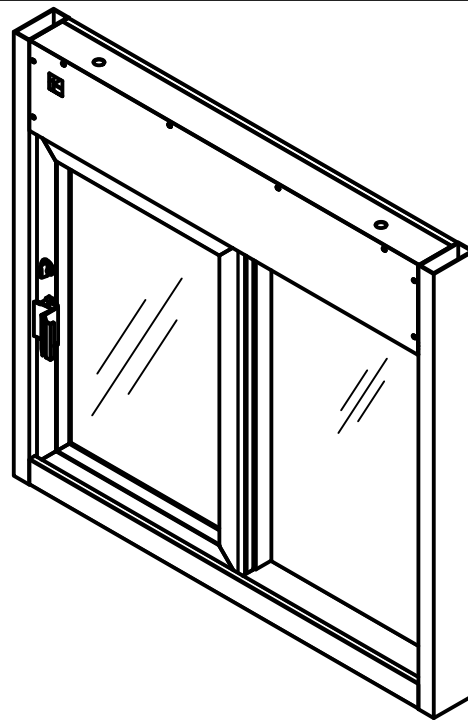
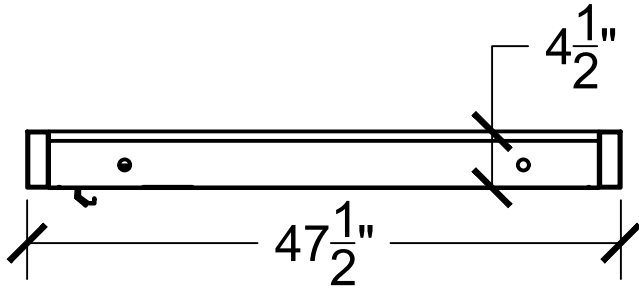
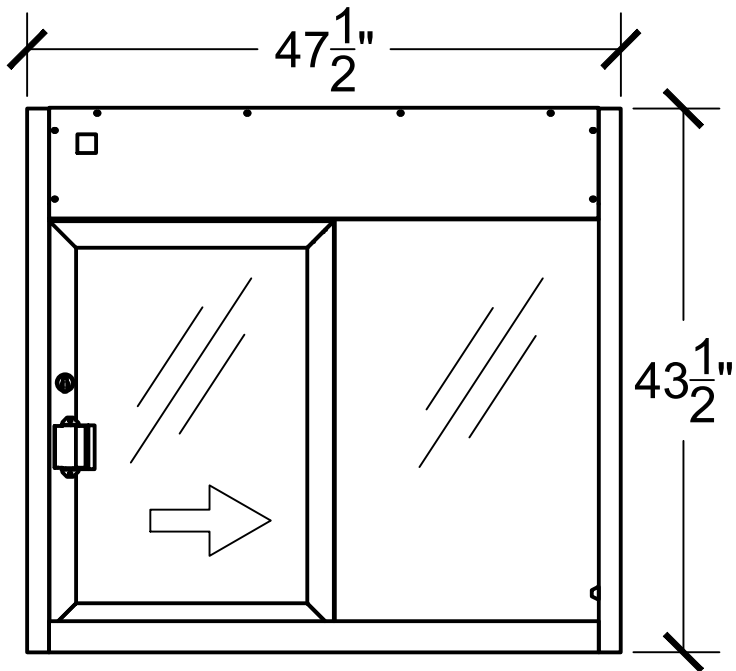


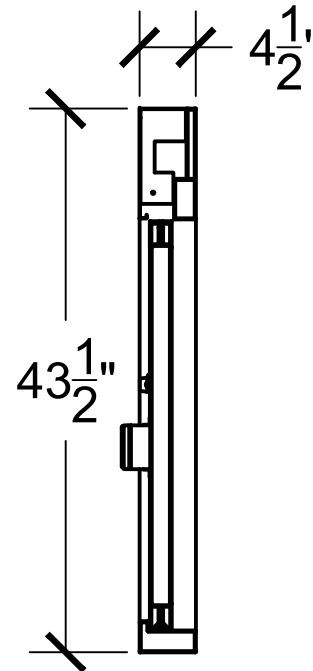
Top View



Interior Front View



Side View



**PLEASE SELECT:**

**1. FRAMING:**

- Aluminum  Loaded Aluminum

**2. FRAME COLOR:**

- Bronze Anodized  Clear Anodized

Other: \_\_\_\_\_

**3. GLAZING:**

- 1/4" Tempered  1" Insulated  
 3/4" Poly - L1  1-1/4" Acrylic - L1  
 1-1/4" Poly - L3  1-1/4" Acrylic - L3

Storm Impact Low-E

Other: \_\_\_\_\_

**Key Notes**

**Unit:**

SS-4844 (LEFT)

**Actual Dimension:**

47 1/2"(W) x 43 1/2"(H)

**Rough Opening:**

47 7/8"(W) x 43 7/8"(H)

**Service Opening:**

20"(W) x 31 1/2"(H)

**Engineer Notes**

Date drawn: 9/30/2020

Drawn by: Avasquez

File name: SS-4844.dwg

Page: 1 of 1

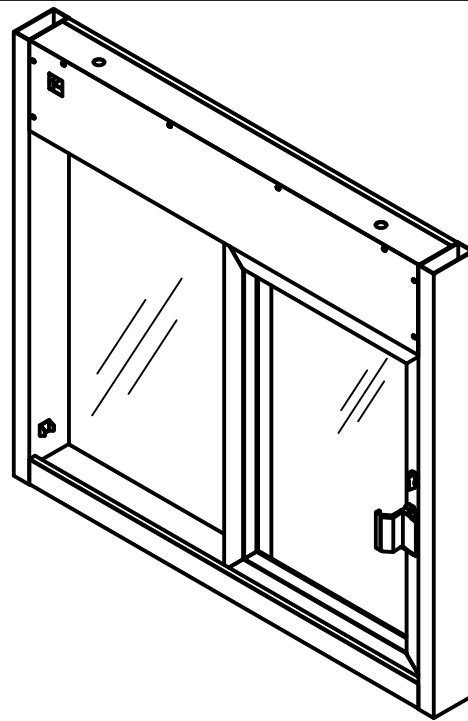
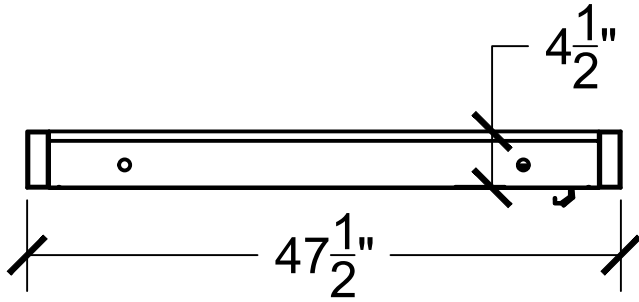
Scale: 1:16

NOTE: THIS DRAWING EMBODIES A CONFIDENTIAL PROPRIETY DESIGN ORIGINATED AND OWNED BY QUIKSERV CORP., AND IS SUBMITTED UNDER A CONFIDENTIAL RELATIONS ALL PATENT, MANUFACTURING, SALE RIGHTS REGARDING THE SAME ARE RESERVED EXCEPT TO THE EXTENT RIGHTS ARE EXPRESSLY GRANTED TO OTHERS. THE RECIPIENT AGREES BY ACCEPTING THESE DRAWINGS NOT TO SUPPLY OR DISCLOSE ANY INFORMATION REGARDING THEM TO ANY UNAUTHORIZED PERSONAL.

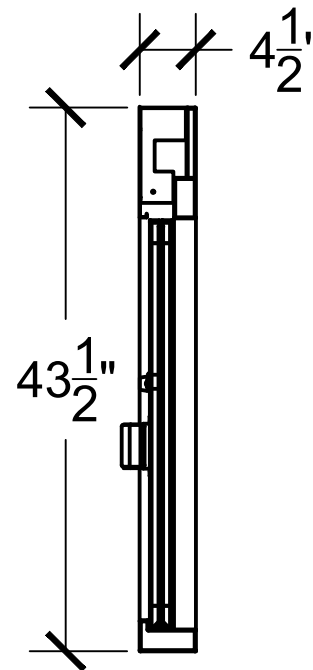
SIGNATURE: \_\_\_\_\_

DATE: \_\_\_\_\_

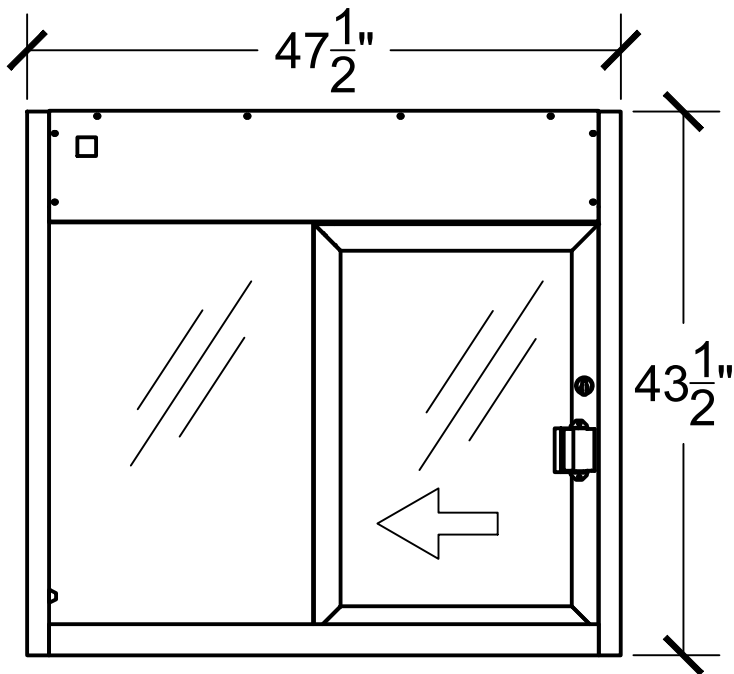
# Top View



# Side View



# Interior Front View



### PLEASE SELECT:

#### 1. FRAMING:

- Aluminum
- Loaded Aluminum

#### 2. FRAME COLOR:

- Bronze Anodized
- Clear Anodized

Other: \_\_\_\_\_

#### 3. GLAZING:

- 1/4" Tempered
- 1" Insulated
- 3/4" Poly - L1
- 1-1/4" Acrylic - L1
- 1-1/4" Poly - L3
- 1-1/4" Acrylic - L3

- Storm Impact Low-E

Other: \_\_\_\_\_

### Key Notes

#### Unit:

SS-4844 (RIGHT)

#### Actual Dimension:

47 1/2"(W) x 43 1/2"(H)

#### Rough Opening:

47 7/8"(W) x 43 7/8"(H)

#### Service Opening:

20"(W) x 31 1/2"(H)

### Engineer Notes

Date drawn: 9/30/2020

Drawn by: Avasquez

File name: SS-4844.dwg

Page: 1 of 1

Scale: 1:16

NOTE: THIS DRAWING EMBODIES A CONFIDENTIAL PROPRIETY DESIGN ORIGINATED AND OWNED BY QUIKSERV CORP., AND IS SUBMITTED UNDER A CONFIDENTIAL RELATIONS ALL PATENT, MANUFACTURING, SALE RIGHTS REGARDING THE SAME ARE RESERVED EXCEPT TO THE EXTENT RIGHTS ARE EXPRESSLY GRANTED TO OTHERS. THE RECIPIENT AGREES BY ACCEPTING THESE DRAWINGS NOT TO SUPPLY OR DISCLOSE ANY INFORMATION REGARDING THEM TO ANY UNAUTHORIZED PERSONAL.

SIGNATURE: \_\_\_\_\_

DATE: \_\_\_\_\_