

4844 SERIES - SINGLE SLIDING WINDOWS

MANUAL OPEN / SELF-CLOSING & AUTOMATIC WINDOWS



SC-4844



SS-4844E



THRU-BEAM PHOTO-ELECTRIC EYE-BAR

STANDARD FEATURES

- Shipped fully-assembled and ready to install
- Dark bronze or clear anodized aluminum finish
- 1/4" clear tempered safety glass or IF models offer 1" insulated glass for improved energy efficiency and sound barrier
- Weather resistant and sealed to protect from the elements
- Maximum security hook-bolt locks
- Right or left-hand units available
- ETL Listed (SS-4844E)
- Warranty backed with our Nationwide Service Centers

OPTIONAL FEATURES

- Custom colors available
- Reduced service openings for areas requiring 216 or 432 square inches
- Custom transoms and overall window sizes
- Various glazing options (B/R, Insulated, Tinted, etc)
- Night-time security lock bar

MODEL SC-4844

The SC-4844 manual open / self-closing side sliding transaction window is one of the most popular transaction window sizes available. The window can be released after serving customers to allow the moving panel to close automatically to reduce wasted energy costs and comply with local bylaws. An offset in the base prevents outside intrusion and repels water from entering your facility. These windows are available in left or right-handed slide direction and are designed with a top-hung ball bearing system to provide the smoothest and most durable window operation on the market.

MODEL SS-4844E

The SS-4844E single sliding window comes with a 'contactless' fully-automatic operation to provide a safe, easy and seamless exchange of items with customers. An offset in the base prevents outside intrusion and repels water from entering into your establishment. These windows are available in left or right-handed slide direction.

The thru beam photo-electric eye-bar is available for all automatic windows to operate the contactless opening and closing of the window. The window is activated when the attendant stands between the emitter and receiver on the thru beam which will be mounted on the wall below the sill of the window. Available on all automatic windows.



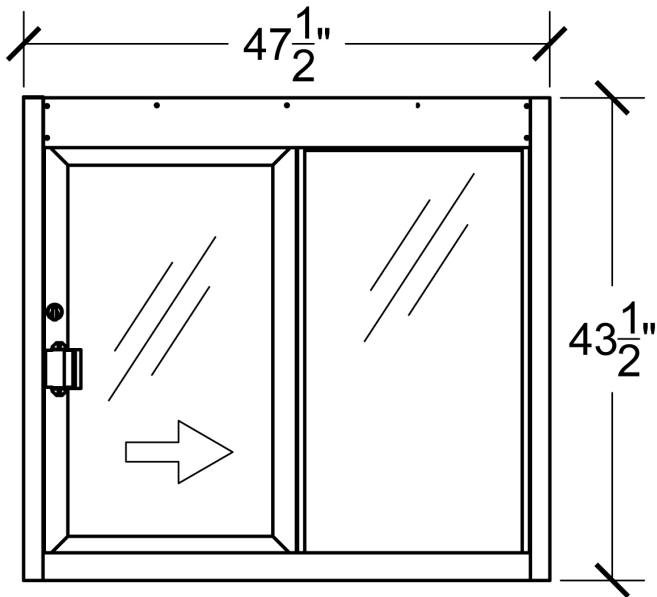
MODEL SC-4844 / IFSC-4844

UNIT SIZE: 47-1/2"W X 43-1/2"H

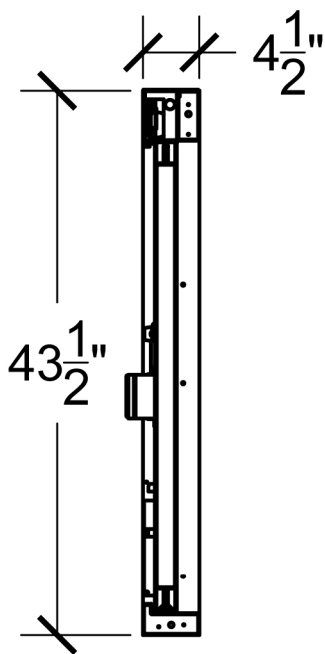
ROUGH OPENING: 47-7/8"W x 43-7/8"H

SERVICE OPENING: 20-1/4"W x 36-1/2"H

MAIN VIEW



SIDE VIEW



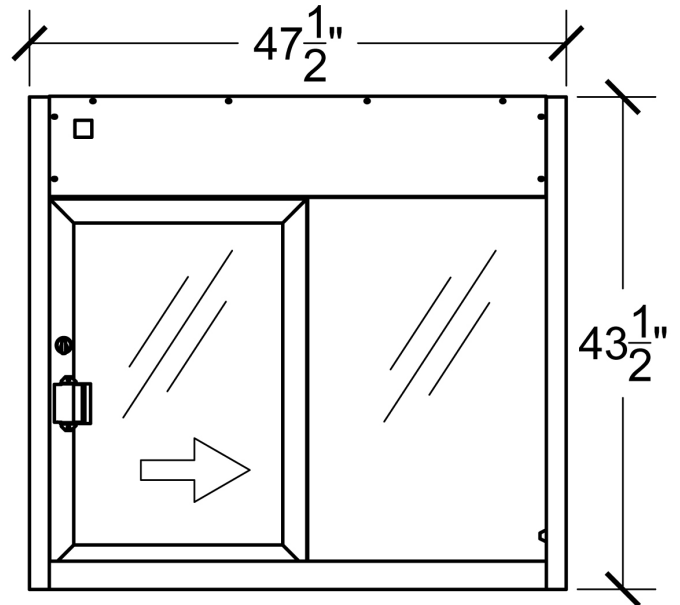
MODEL SS-4844E / IF-4844E

UNIT SIZE: 47-1/2"W X 43-1/2"H

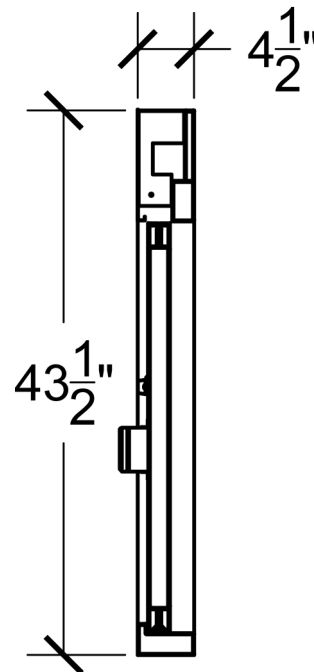
ROUGH OPENING: 47-7/8"W X 43-7/8"H

SERVICE OPENING: 20"W X 31-1/2"H

MAIN VIEW



SIDE VIEW



ALL QUIKSERV PRODUCTS ARE SHIPPED FULLY-ASSEMBLED and READY TO INSTALL. EACH ELECTRICAL UNIT IS SHIPPED WITH A FOUR FOOT (4') BX DROP.