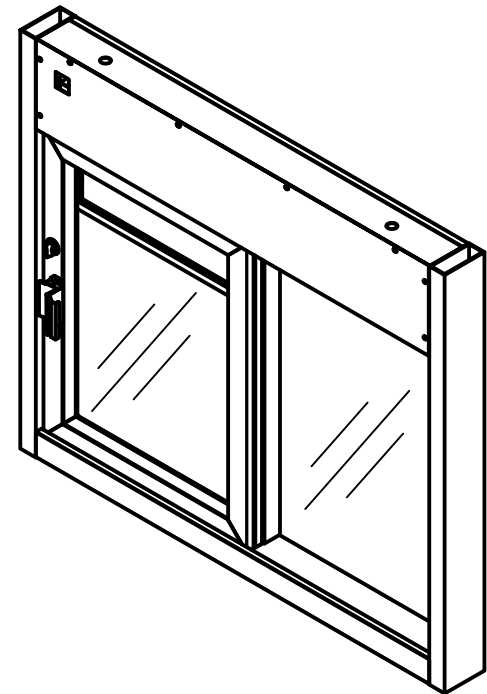
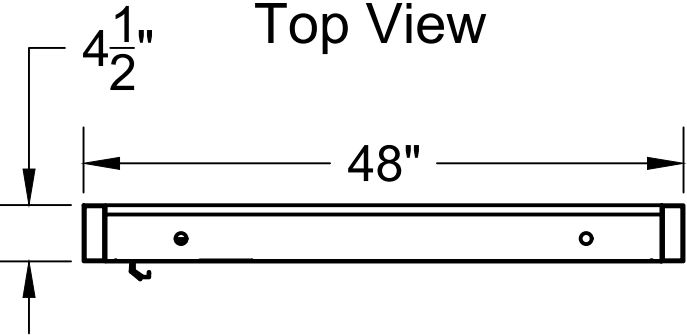


SS-4035E CALI

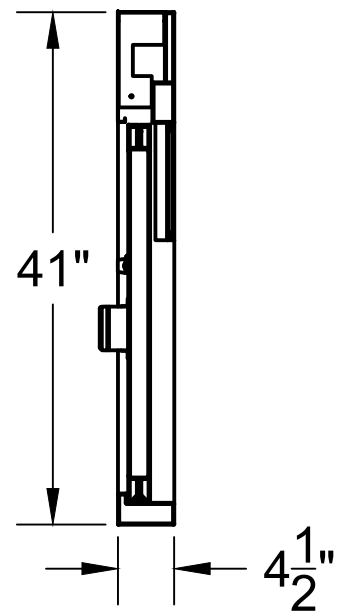
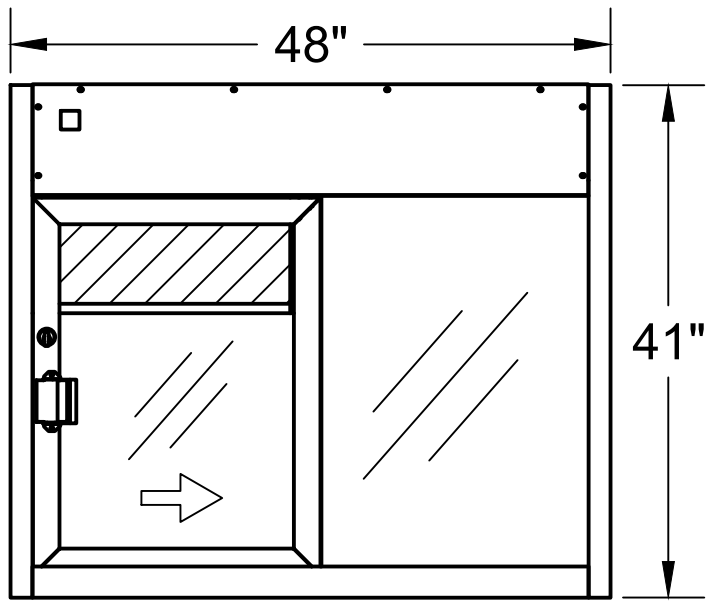


Top View



Side View

Interior View



PLEASE SELECT:

- 1. FRAMING:**
 - Aluminum
 - UL Rated Alum
- 2. FRAME COLOR:**
 - Bronze Anodized
 - Clear Anodized
 - Other: _____
- 3. GLAZING:**
 - 1/4" Tempered
 - 5/8" or 1" Insulated
 - 3/4" Poly - L1
 - 1-1/4" Acrylic - L1
 - 1-1/4" Poly - L3
 - 1-1/4" Acrylic - L3
 - 7/8" Storm Impact
 - Other: _____

Key Notes

Unit:
 SS-4035E CALI 432SQ IN LEFT

Actual Dimension:
 48"(W) X 41"(H)

Rough Opening:
 48³/₈"(W) X 41³/₈"(H)

Service Opening:
 20¹/₄"(W) X 21"(H)
 CALI OPENING 432 SQ IN

Engineer Notes

Date drawn: 10/24/2019
 Drawn by: A.V.
 File name: SS-4035E CALI 432

Page: 1 OF 1 Scale: 1:16

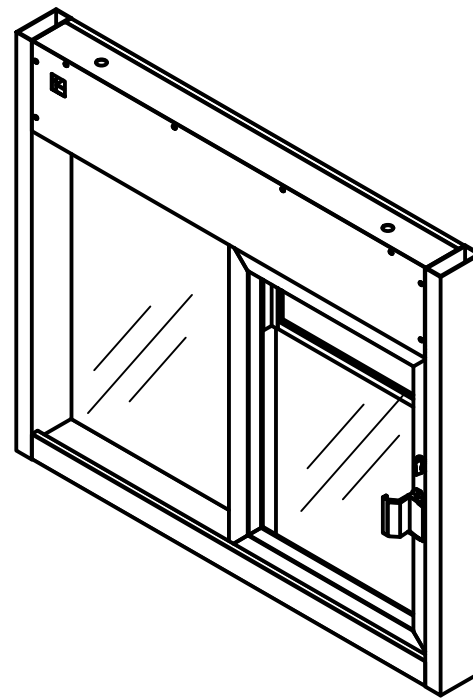
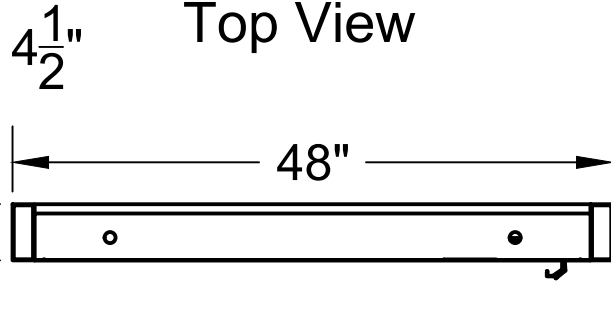
NOTE: THIS DRAWING EMBODIES A CONFIDENTIAL PROPRIETY DESIGN ORIGINATED AND OWNED BY QUIKSERV CORP., AND IS SUBMITTED UNDER A CONFIDENTIAL RELATIONS ALL PATENT, MANUFACTURING, SALE RIGHTS REGARDING THE SAME ARE RESERVED EXCEPT TO THE EXTENT RIGHTS ARE EXPRESSLY GRANTED TO OTHERS. THE RECIPIENT AGREES BY ACCEPTING THESE DRAWINGS NOT TO SUPPLY OR DISCLOSE ANY INFORMATION REGARDING THEM TO ANY UNAUTHORIZED PERSONAL.

SIGNATURE: _____
 DATE: _____

SS-4035E CALI

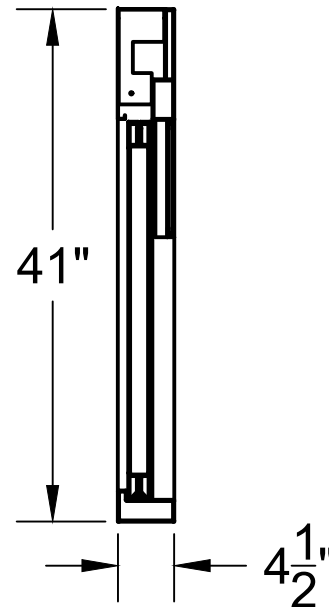
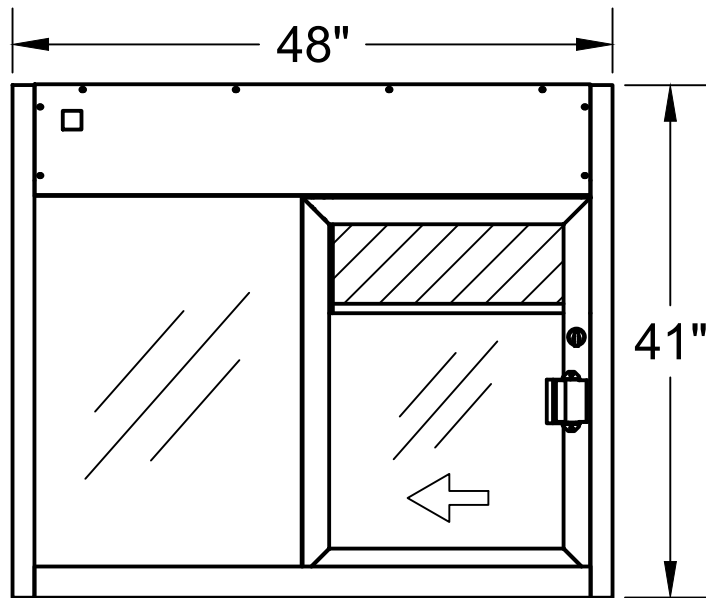


Top View



Side View

Interior View



PLEASE SELECT:

- 1. FRAMING:**
 - Aluminum
 - UL Rated Alum
- 2. FRAME COLOR:**
 - Bronze Anodized
 - Clear Anodized
 - Other: _____
- 3. GLAZING:**
 - 1/4" Tempered
 - 5/8" or 1" Insulated
 - 3/4" Poly - L1
 - 1-1/4" Acrylic - L1
 - 1-1/4" Poly - L3
 - 1-1/4" Acrylic - L3
 - 7/8" Storm Impact
 - Other: _____

Key Notes

Unit:
 SS-4035E CALI 432SQ IN RIGHT
Actual Dimension:
 48"(W) X 41"(H)
Rough Opening:
 48³/₈"(W) X 41³/₈"(H)
Service Opening:
 20¹/₄"(W) X 21"(H)
 CALI OPENING 432 SQ IN

Engineer Notes

Date drawn: 10/24/2019
 Drawn by: A.V.
 File name: SS-4035E CALI 432

Page: 1 OF 1 Scale: 1:16

NOTE: THIS DRAWING EMBODIES A CONFIDENTIAL PROPRIETY DESIGN ORIGINATED AND OWNED BY QUIKSERV CORP., AND IS SUBMITTED UNDER A CONFIDENTIAL RELATIONS ALL PATENT, MANUFACTURING, SALE RIGHTS REGARDING THE SAME ARE RESERVED EXCEPT TO THE EXTENT RIGHTS ARE EXPRESSLY GRANTED TO OTHERS. THE RECIPIENT AGREES BY ACCEPTING THESE DRAWINGS NOT TO SUPPLY OR DISCLOSE ANY INFORMATION REGARDING THEM TO ANY UNAUTHORIZED PERSONAL.

SIGNATURE: _____
 DATE: _____