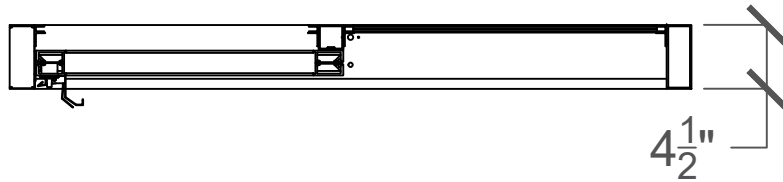


SC-4030 Cali 432

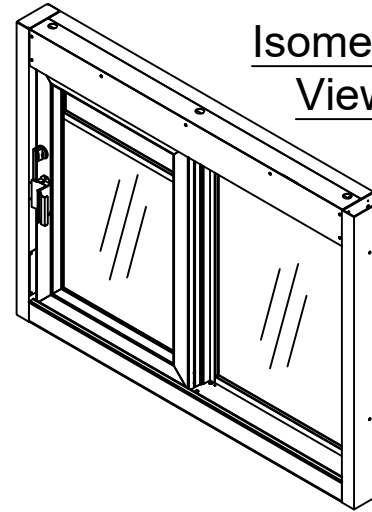
Left



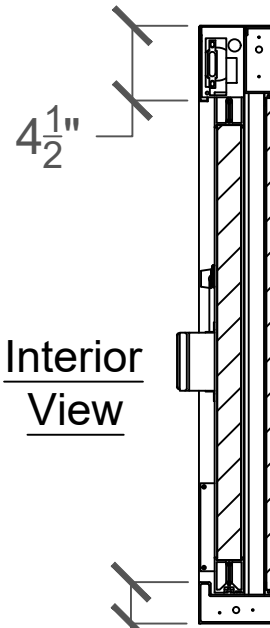
Top View



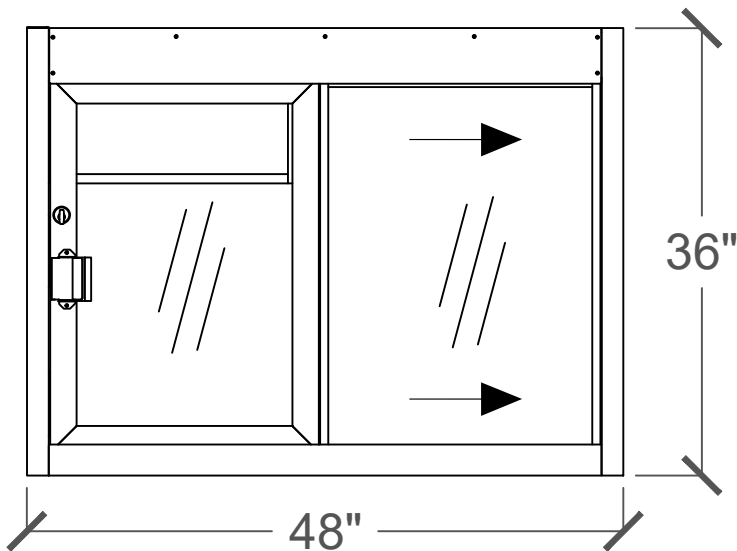
Isometric View



Side View

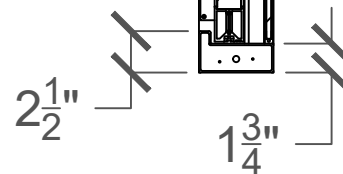


Interior View



Interior View

Exterior View



DATE:

Approved as Drawn

Approved as Noted

PLEASE SELECT:

1. GLAZING:

1/4" Insulated 5/8" Tempered B.R.

Other: _____

2. B.R. LEVEL (IF SELECTED):

Level I Level III

Other: _____

3. FRAMING:

Aluminum Loaded Aluminum

Stainless Steel Steel Tubing

4. COLOR OF ALUM. (IF SELECTED):

Clear Anodized Dark Bronze

Other: _____

SIGNATURE: _____

Key Notes

Unit:
SC-4030 Cali 432

Actual Dimension:
48"(W) x 36"(H)

Rough Opening:
48³/₈"(W) x 36³/₈"(H)

Cali Service Opening:
20"(W) x 21"(H)

Engineer Notes

Date drawn: 9/10/2019 **Scale:** NTS

Drawn by: A.J.

File name: SC-4030 Cali 432.dwg

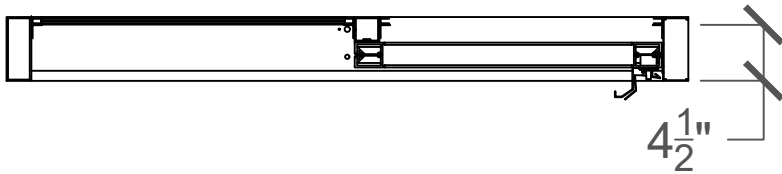
NOTE: THIS DRAWING EMBODIES A CONFIDENTIAL PROPRIETY DESIGN ORIGINATED AND OWNED BY QUIKSERV CORP. AND IS SUBMITTED UNDER A CONFIDENTIAL RELATIONS ALL PATENT, MANUFACTURING, SALE RIGHTS REGARDING THE SAME ARE RESERVED EXCEPT TO THE EXTENT RIGHTS ARE EXPRESSLY GRANTED TO OTHERS. THE RECIPIENT AGREES BY ACCEPTING HIP. THESE DRAWINGS NOT TO SUPPLY OR DISCLOSE ANY INFORMATION REGARDING THEM TO ANY UNAUTHORIZED PERSON.

SC-4030 Cali 432

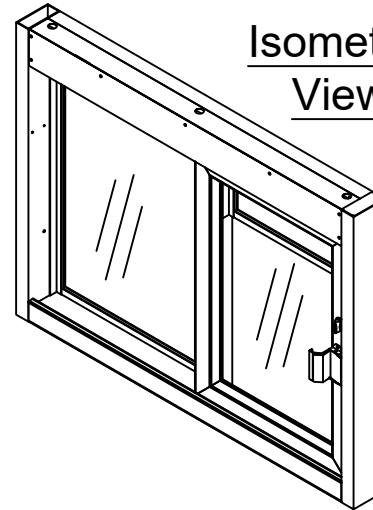
Right



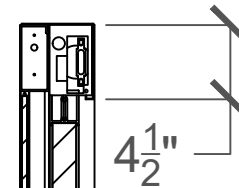
Top View



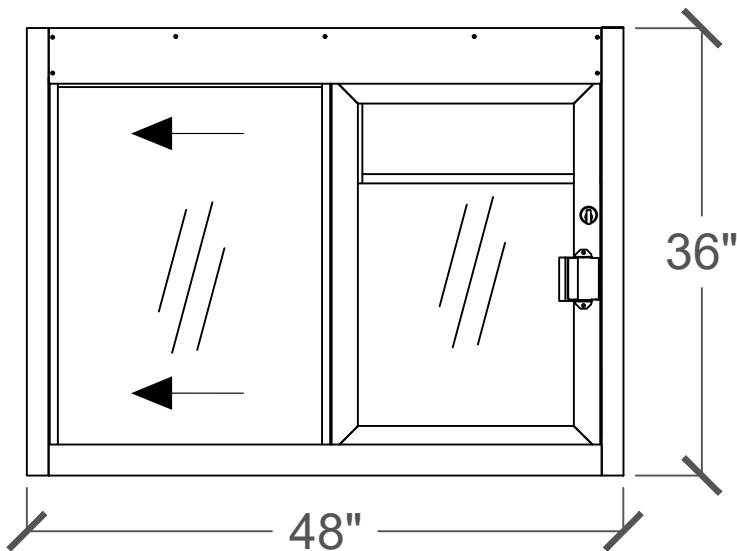
Isometric View



Side View

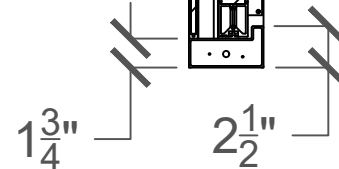


Interior View



Exterior View

Interior View



DATE:

Approved as Drawn

Approved as Noted

PLEASE SELECT:

1. GLAZING:

1/4" Insulated 5/8" Tempered B.R.

Other: _____

2. B.R. LEVEL (IF SELECTED):

Level I Level III

Other: _____

3. FRAMING:

Aluminum Loaded Aluminum

Stainless Steel Steel Tubing

4. COLOR OF ALUM. (IF SELECTED):

Clear Anodized Dark Bronze

Other: _____

SIGNATURE: _____

Key Notes

Unit:
SC-4030 Cali 432

Actual Dimension:
48"(W) x 36"(H)

Rough Opening:
48^{3/8}"(W) x 36^{3/8}"(H)

Cali Service Opening:
20"(W) x 21"(H)

Engineer Notes

Date drawn: 9/10/2019

Drawn by: A.J.

Scale: NTS

File name: SC-4030 Cali 432.dwg

NOTE: THIS DRAWING EMBODIES A CONFIDENTIAL PROPRIETY DESIGN ORIGINATED AND OWNED BY QUIKSERV CORP. AND IS SUBMITTED UNDER A CONFIDENTIAL RELATIONS ALL PATENT, MANUFACTURING, SALE RIGHTS REGARDING THE SAME ARE RESERVED EXCEPT TO THE EXTENT RIGHTS ARE EXPRESSLY GRANTED TO OTHERS. THE RECIPIENT AGREES BY ACCEPTING HIP. THESE DRAWINGS NOT TO SUPPLY OR DISCLOSE ANY INFORMATION REGARDING THEM TO ANY UNAUTHORIZED PERSON.