

CALIFORNIA WINDOWS

WINDOWS SPECIALLY DESIGNED TO COMPLY WITH CALIFORNIA BUILDING CODE



SC-4030 : SHOWN WITH GLASS PANEL TO PROVIDE 432 SQ IN SERVICE OPENING

Quikserv's line of California windows are specifically designed to comply with the California Retail Food Code. All of these windows offer a self-closing operation and a service opening that is limited to either 216 sq. in. or 432 sq. in. For windows with a 432 sq. in. opening, an air curtain is required to comply with the code.

CALIFORNIA SC-4030

Our manual open / self-closing California SC-4030 comes with a glass panel to limit the service opening to either 216 sq. in. or 432 sq. in.

CALIFORNIA SS-4035E

Our hands-free operated, automatic SS-4035E is available with a glass panel to limit the service opening to 216 sq. in. or 432 sq. in.



SS-4035E : SHOWN WITH GLASS PANEL TO PROVIDE 216 SQ IN SERVICE OPENING

SC-3030

This is our standard manual open / self-closing SC-4030 which comes fully compliant with the California Retail Food Code with a 432 sq. in. limited service opening and the addition of an air curtain with the window unit.

STANDARD FEATURES

- Clear or dark bronze anodized frame finish
- 1/4" clear tempered safety glass
- Shipped fully-assembled and ready to install
- Backed by limited one year warranty
- Heavy duty construction

OPTIONAL FEATURES AND ACCESSORIES

- Various glazing options including tinted, insulated, Low-E or up to Level 3 bullet resistant protection
- We may also offer other custom window size options to suit your project and comply with the California Retail Food Code

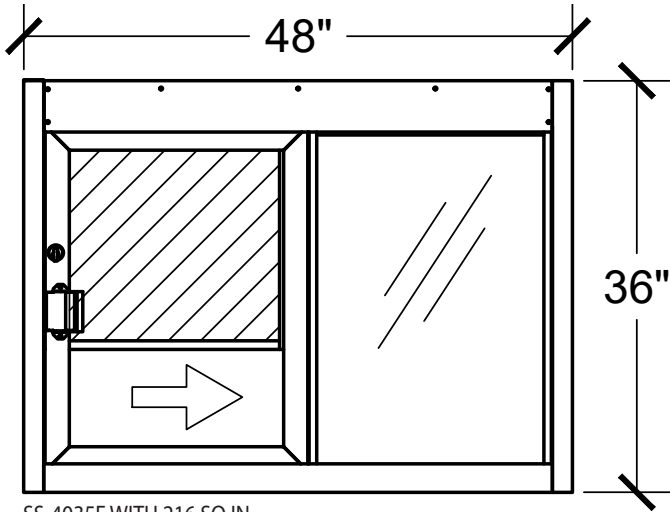


SC-3030

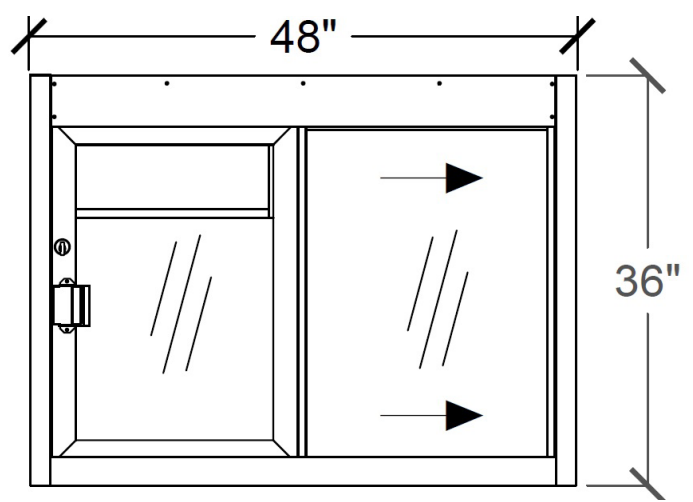


CALIFORNIA WINDOWS

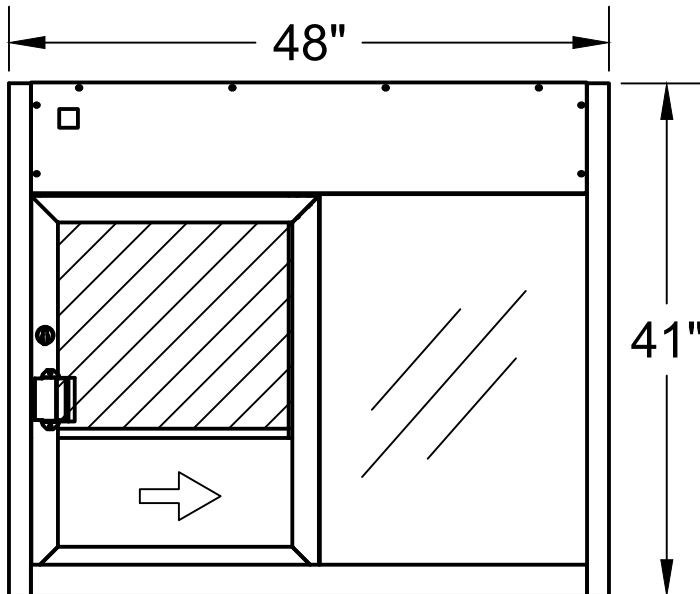
SC-4030 WITH 216 SQ IN
 UNIT SIZE: 48"W X 36"H
 SERVICE OPENING SIZE: 20-1/4"W x 10-7/8"H



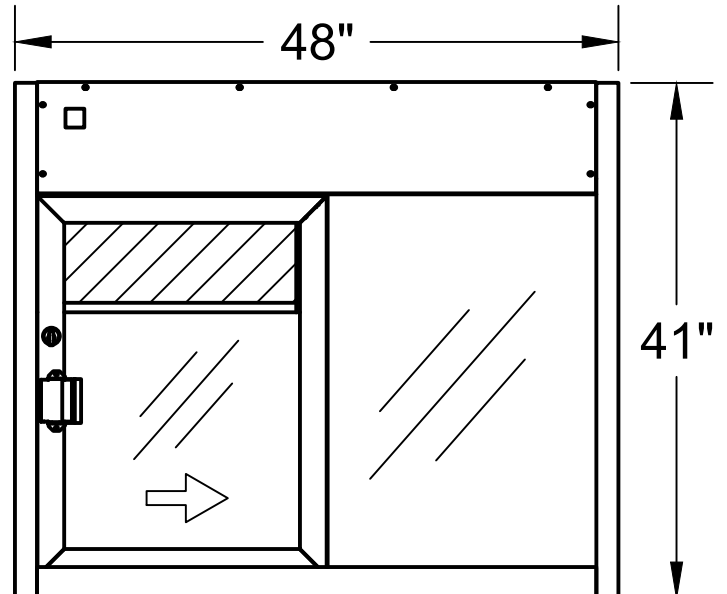
SC-4030 WITH 432 SQ IN
 UNIT SIZE: 48"W X 36"H
 SERVICE OPENING SIZE: 20"W x 21"H



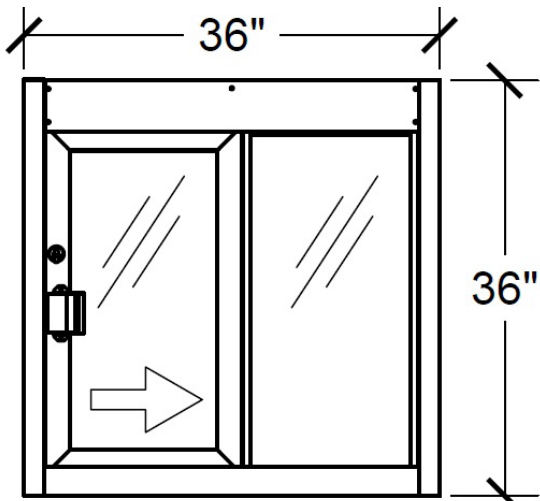
SS-4035E WITH 216 SQ IN
 UNIT SIZE: 48"W X 41"H
 SERVICE OPENING SIZE: 20-1/4"W X 10-7/8"H



SS-4035E WITH 432 SQ IN
 UNIT SIZE: 48"W X 41"H
 SERVICE OPENING SIZE: 20-1/4"W X 21"H



SC-3030 WITH 432 SQ IN OPENING
 UNIT SIZE: 36"W X 36"H
 SERVICE OPENING SIZE: 14-1/2"W X 29"H



ALL QUIKSERV PRODUCTS ARE SHIPPED FULLY-ASSEMBLED and READY TO INSTALL. EACH ELECTRICAL UNIT IS SHIPPED WITH A FOUR FOOT (4') BX DROP.