

SPEAK AROUND WINDOW

BULLET RESISTANT WINDOW WITH NATURAL SPEAK AROUND FRAME SPACING



SPEAK AROUND WINDOW

Quikserv's Speak Around Window balances bullet resistant protection with a clean aesthetic design with a natural transfer of sound built into the frame to provide friendly face to face interactions with customers. The unit is comprised of bullet resistant framing and includes a 1/2" spacing to allow communication with customers. This design alleviates the need for a speaker portal or other obstructions in the glazing without sacrificing the protection of those standing on the secure side of the pass-thru system.

This product is ideal for interior applications and commonly found in banks and financial service applications. These units deter robberis, encourage the protection of employees and reduce the need for onsite personnel to provide security.

These units are available in 3 standard sizes or can be custom fit to suit your project.

- 24"W x 36"H
- 30"W x 36"H
- 36"W x 36"H

STANDARD FEATURES

- Clear or dark bronze anodized frame finish
- Level 1-3 bullet resistant glazing
- Shipped fully-assembled and ready to install
- Backed by limited one year warranty
- Heavy duty construction

OPTIONAL FEATURES AND ACCESSORIES

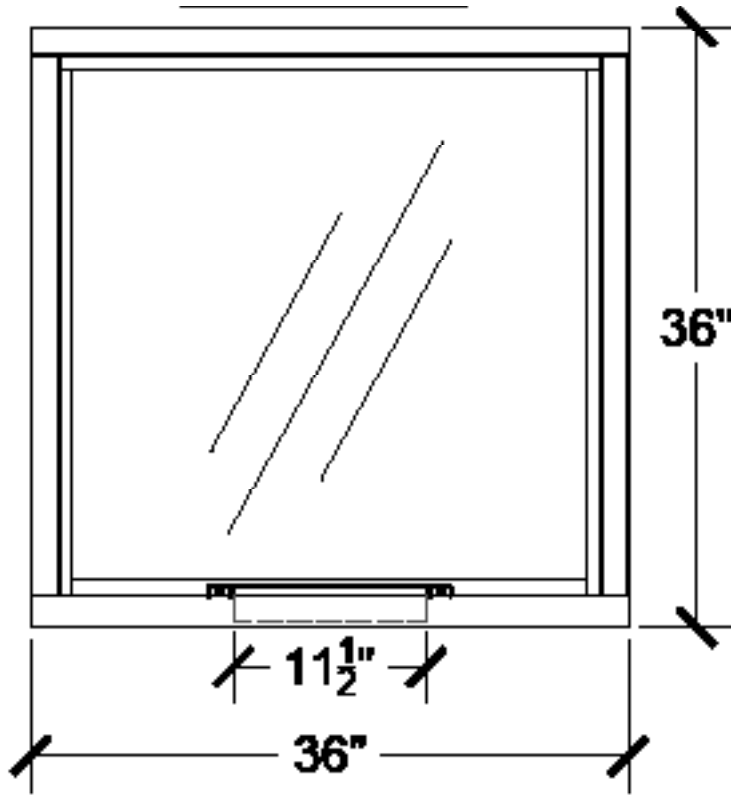
- Stainless steel framing
- Custom sizes available to suit every project
- Various glazing options with up to Level 3 bullet resistant protection or non-ballistic 1/4" clear tempered glass
- Available with stainless steel shelf base extending to the interior / exterior of the window with bullet resistant deal tray. It can also be provided with no sill to allow the unit to be mounted on to an existing counter top.
- Bullet resistant panelling is also available to provide complete wall protection around your Speak Around Window



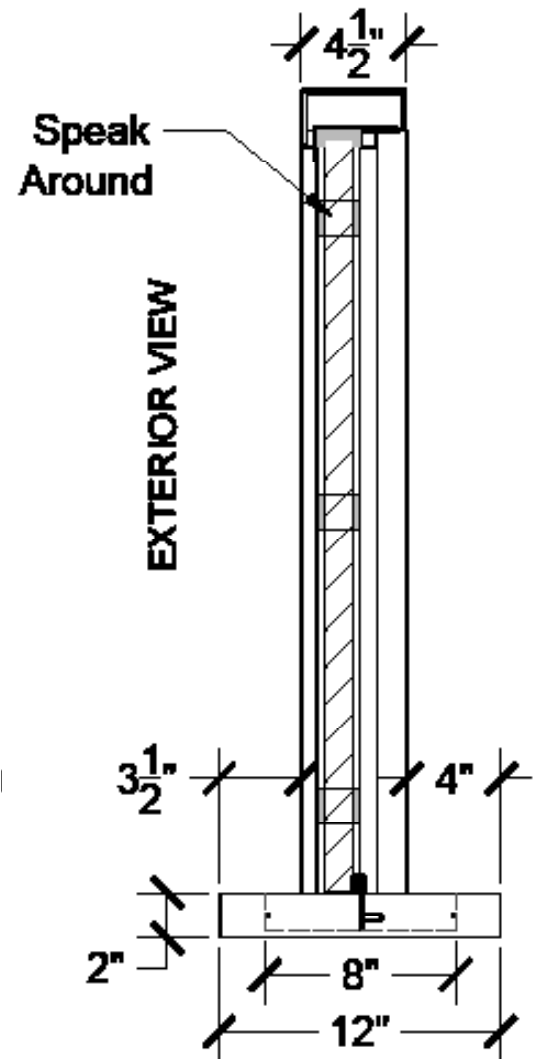
SPEAK AROUND WINDOW

SIZE SHOWN: 36" W X 36" H: CUSTOM SIZES AVAILABLE

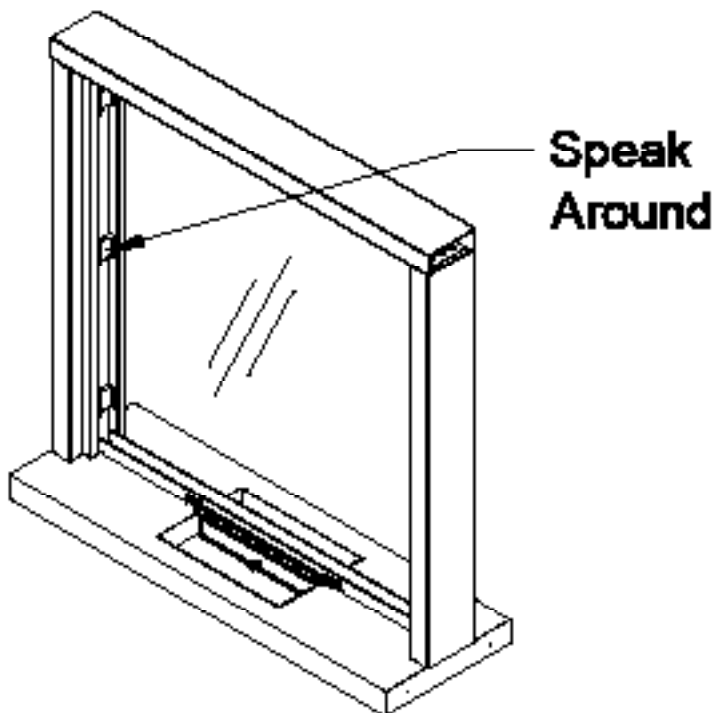
INTERIOR FRONT VIEW



SIDE VIEW



ISO VIEW



ALL QUIKSERV PRODUCTS ARE SHIPPED FULLY-ASSEMBLED & READY TO INSTALL.