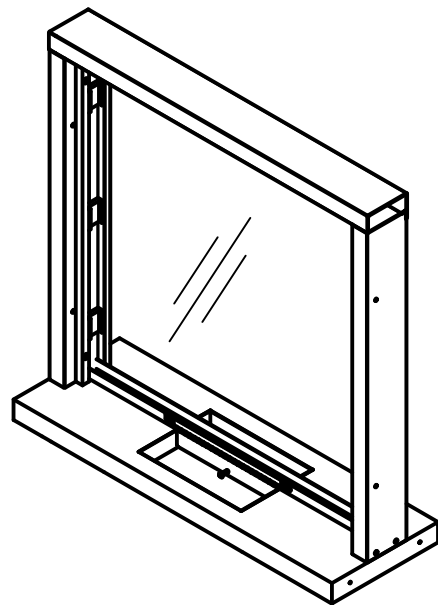
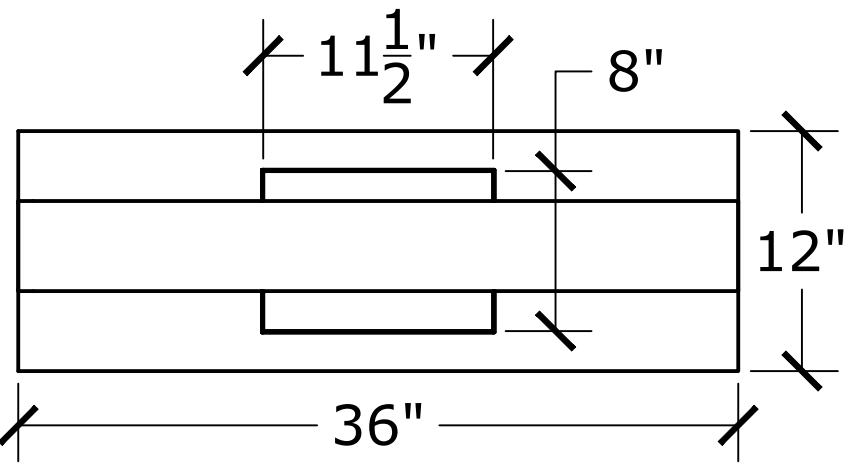


TOP VIEW



PLEASE SELECT:

1. FRAMING:

Aluminum Loaded Aluminum

Stainless

2. FRAME COLOR:

Bronze Anodized Clear Anodized

Other: _____

3. GLAZING:

1/4" Tempered 1" Insulated

3/4" Poly - L1 1-1/4" Acrylic - L1

1-1/4" Poly - L3 1-1/4" Acrylic - L3

Storm Impact Low-E

Other: _____

4. DEAL TRAY TYPE:

Non-BR - Curved BR - Square

5. SPEAKER:

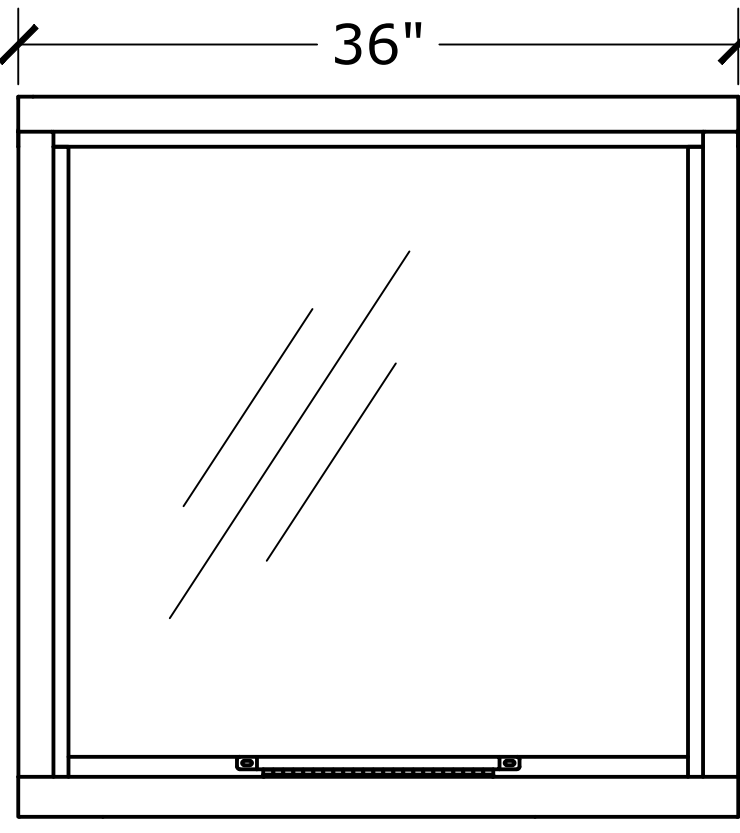
6" BR Speak-Thru (L3)

5" Non-BR Speak Plate

SC-100 Amplified

Speak Around SC-100L Amplified

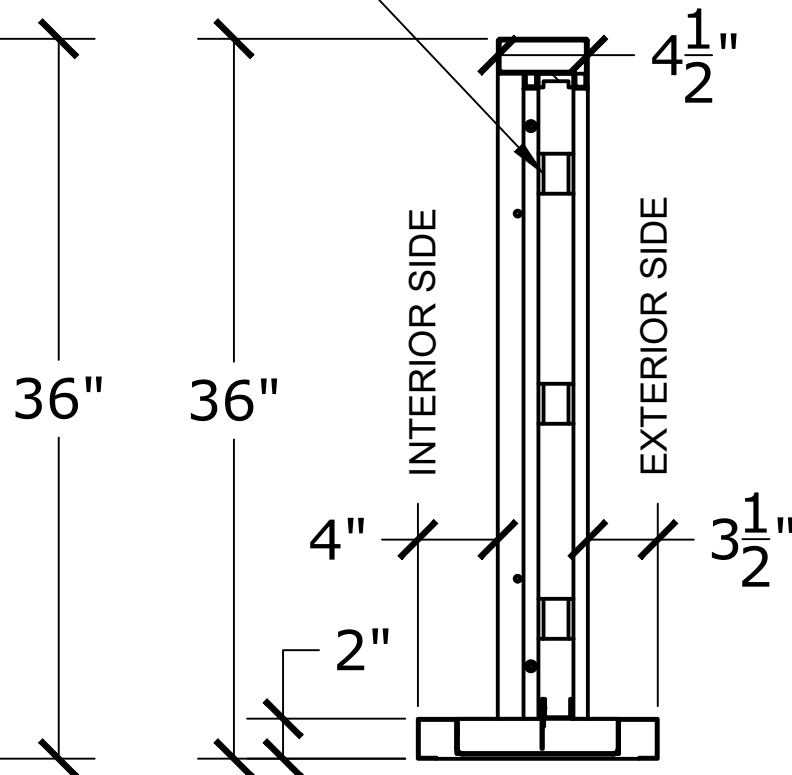
INTERIOR FRONT VIEW



SPEAK

AROUND

SIDE VIEW



Key Notes

Unit:

TICKET WINDOW BASE WITH SPEAK AROUND

Actual Dimension:

36"(W) X 36"(H)

Rough Opening:

36 3/8"(W) X 36 3/8"(H)

Engineer Notes

Date drawn: 1/19/2021

Drawn by: Avasquez

File name: 3636 SPK ARD.dwg

Page: 1 of 1

Scale: 1:10

NOTE: THIS DRAWING EMBODIES A CONFIDENTIAL PROPRIETY DESIGN ORIGINATED AND OWNED BY QUIKSERV CORP., AND IS SUBMITTED UNDER A CONFIDENTIAL RELATIONS ALL PATENT, MANUFACTURING, SALE RIGHTS REGARDING THE SAME ARE RESERVED EXCEPT TO THE EXTENT RIGHTS ARE EXPRESSLY GRANTED TO OTHERS. THE RECIPIENT AGREES BY ACCEPTING THESE DRAWINGS NOT TO SUPPLY OR DISCLOSE ANY INFORMATION REGARDING THEM TO ANY UNAUTHORIZED PERSONAL.

SIGNATURE: _____

DATE: _____