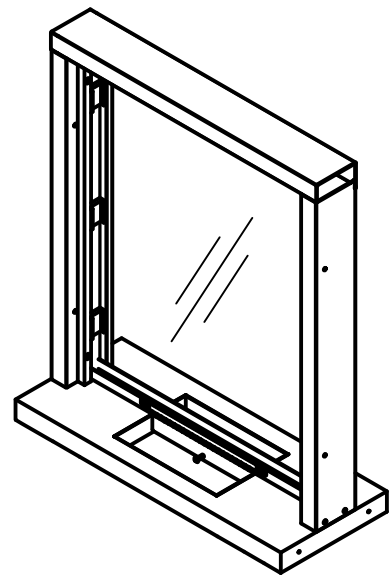
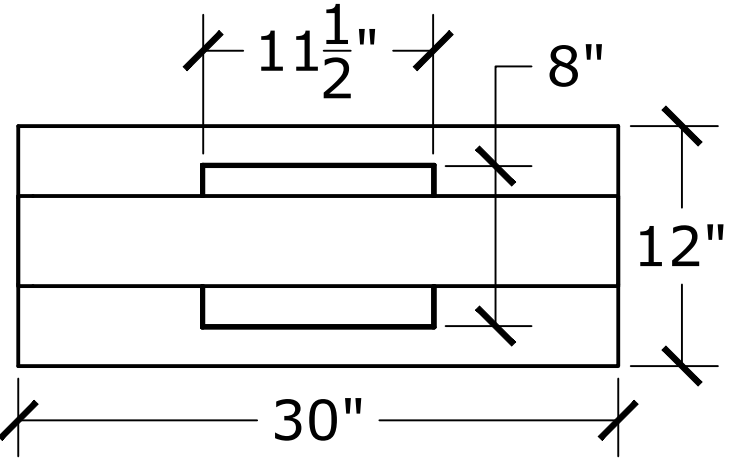
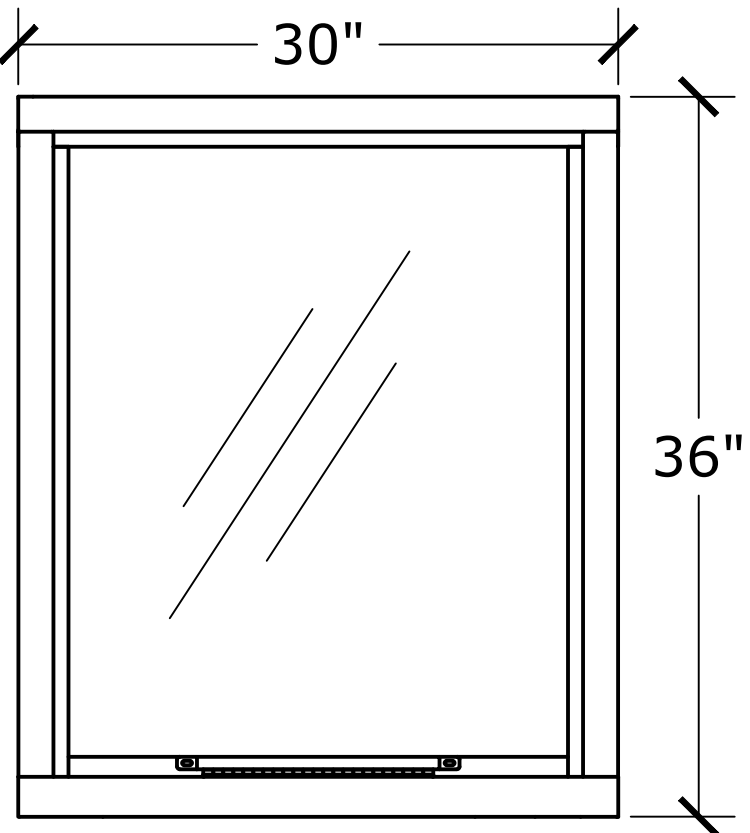




**TOP VIEW**

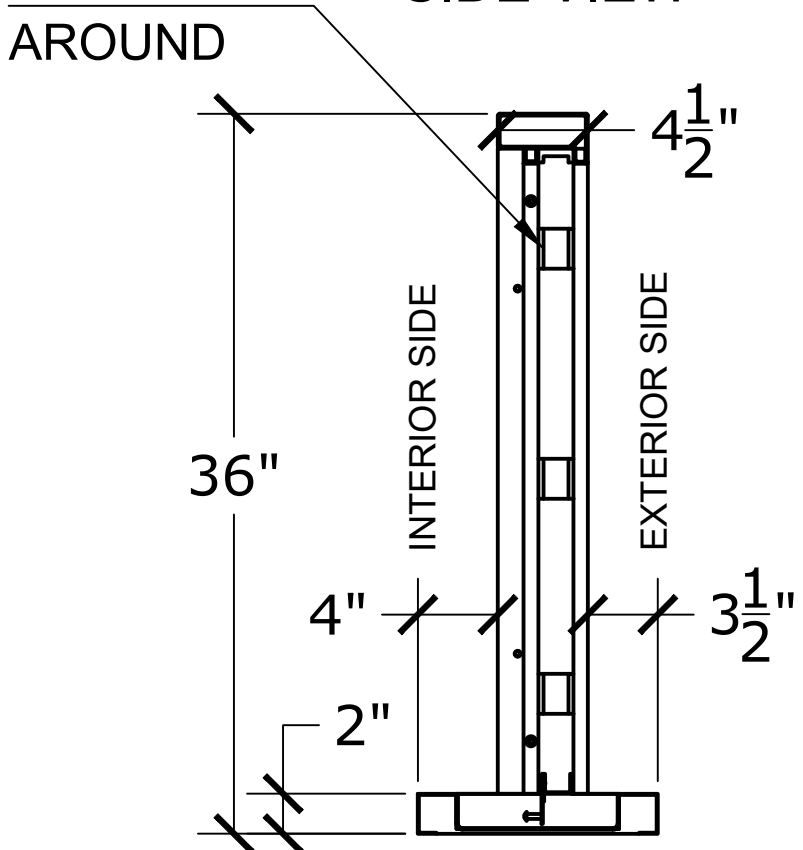


**INTERIOR FRONT VIEW**



**SPEAK AROUND**

**SIDE VIEW**



**PLEASE SELECT:**

**1. FRAMING:**  
 Aluminum  Loaded Aluminum  
 Stainless

**2. FRAME COLOR:**  
 Bronze Anodized  Clear Anodized  
 Other: \_\_\_\_\_

**3. GLAZING:**  
 1/4" Tempered  1" Insulated  
 3/4" Poly - L1  1-1/4" Acrylic - L1  
 1-1/4" Poly - L3  1-1/4" Acrylic - L3  
 Storm Impact Low-E  
 Other: \_\_\_\_\_

**4. DEAL TRAY TYPE:**  
 Non-BR - Curved  BR - Square

**5. SPEAKER:**  
 6" BR Speak-Thru (L3)  
 5" Non-BR Speak Plate  
 SC-100 Amplified  SC-100L Amplified  
 Speak Around

**Key Notes**

**Unit:**  
 TICKET WINDOW BASE  
 WITH SPEAK AROUND

**Actual Dimension:**  
 30"(W) X 36"(H)

**Rough Opening:**  
 30<sup>3</sup>/<sub>8</sub>"(W) X 36<sup>3</sup>/<sub>8</sub>"(H)

**Engineer Notes**

Date drawn: 1/19/2021  
 Drawn by: Avasquez  
 File name: 3036 SPK ARD.dwg

Page: 1 of 1 Scale: 1:10

NOTE: THIS DRAWING EMBODIES A CONFIDENTIAL PROPRIETY DESIGN ORIGINATED AND OWNED BY QUIKSERV CORP. AND IS SUBMITTED UNDER A CONFIDENTIAL RELATIONS ALL PATENT, MANUFACTURING, SALE RIGHTS REGARDING THE SAME ARE RESERVED EXCEPT TO THE EXTENT RIGHTS ARE EXPRESSLY GRANTED TO OTHERS. THE RECIPIENT AGREES BY ACCEPTING THESE DRAWINGS NOT TO SUPPLY OR DISCLOSE ANY INFORMATION REGARDING THEM TO ANY UNAUTHORIZED PERSONAL.

SIGNATURE: \_\_\_\_\_  
 DATE: \_\_\_\_\_