

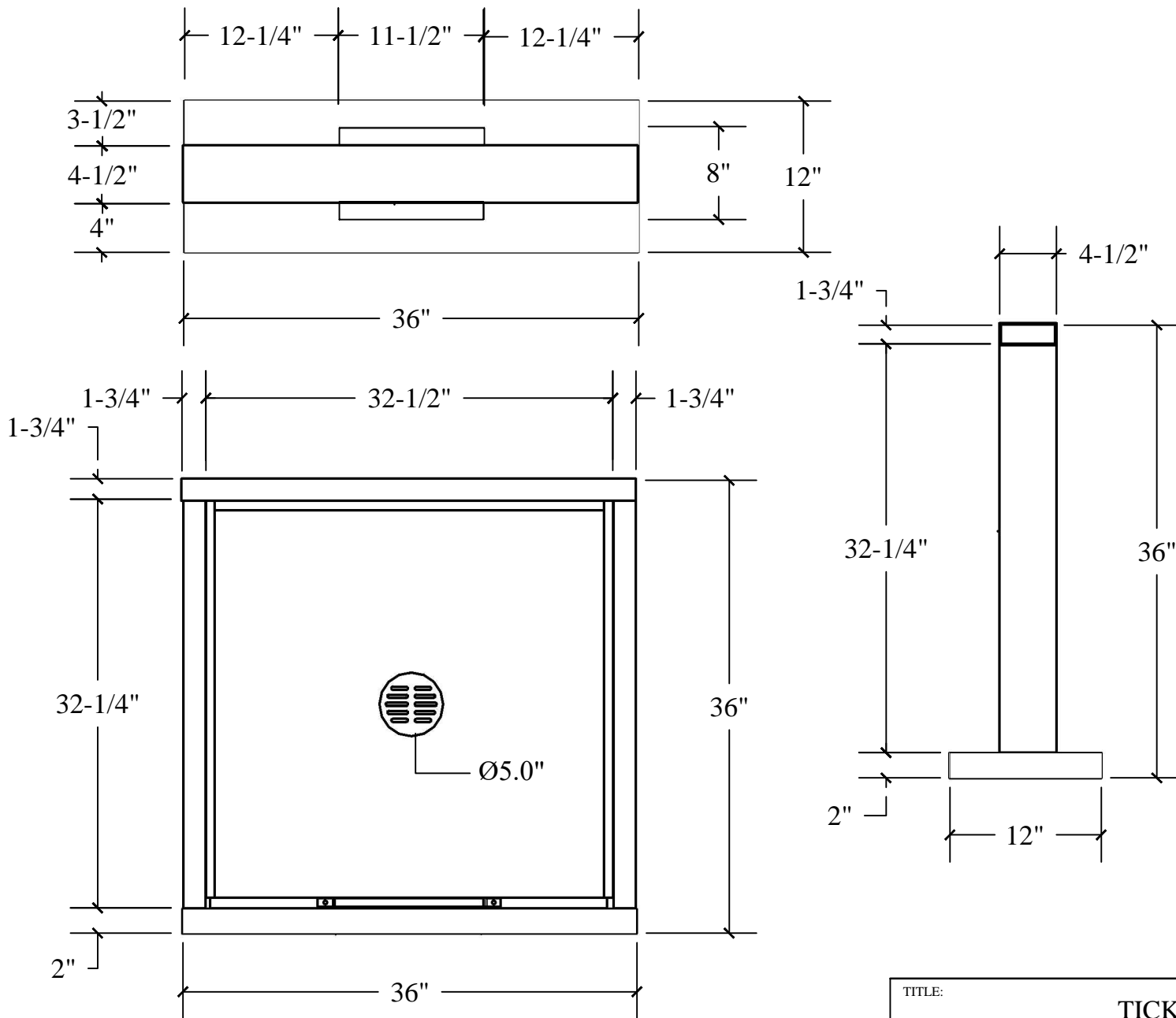
General Notes

Actual Dimension

36"(W) x 36"(H)

Rough Opening

36-3/8"(W) x 36-3/8"(H)



NOTE: THIS DRAWING EMBODIES A CONFIDENTIAL PROPRIETY DESIGN ORIGINATED AND OWNED BY QUIKSERV CORP., AND IS SUBMITTED UNDER A CONFIDENTIAL RELATIONS ALL PATENT, MANUFACTURING, SALE RIGHTS REGARDING THE SAME ARE RESERVED EXCEPT TO THE EXTENT RIGHTS ARE EXPRESSLY GRANTED TO OTHERS. THE RECIPIENT AGREES BY ACCEPTING HIP. THESE DRAWINGS NOT TO SUPPLY OR DISCLOSE ANY INFORMATION REGARDING THEM TO ANY UNAUTHORIZED PERSON.

TITLE:

TICKET WINDOW

Drawing Name

T1-3636 THREE SIDE VIEW

DATE

7/12/2016

DRAWN BY

RBV

SCALE

1:12

SHEET

1 of 4

SIZE

A

QUIKSERV

11441 BRITTMOORE PARK DR.
HOUSTON, TX., 77041