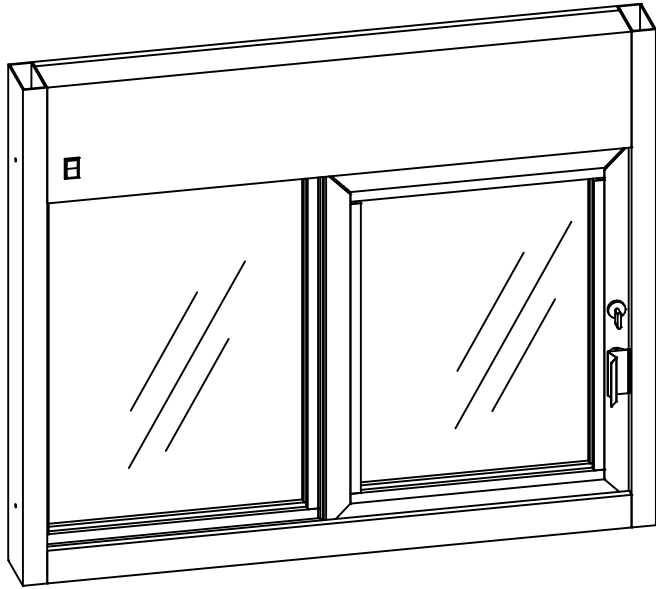
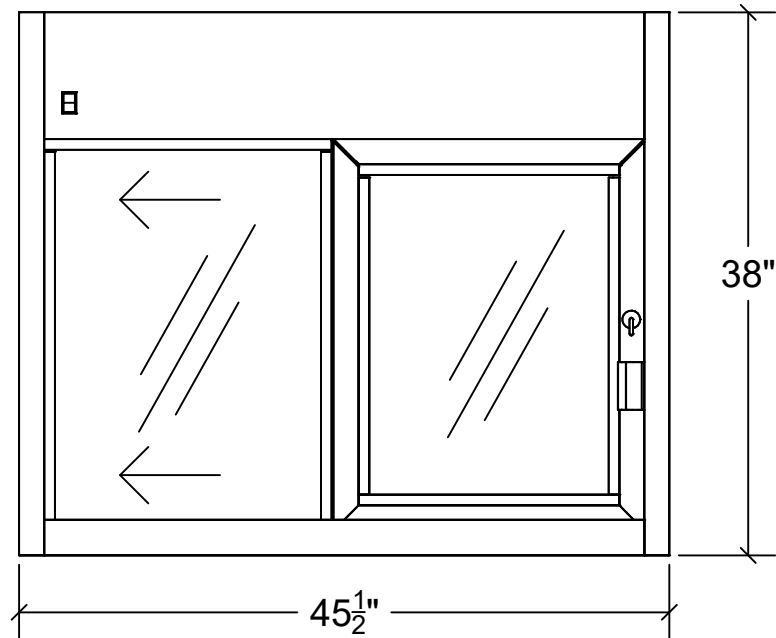


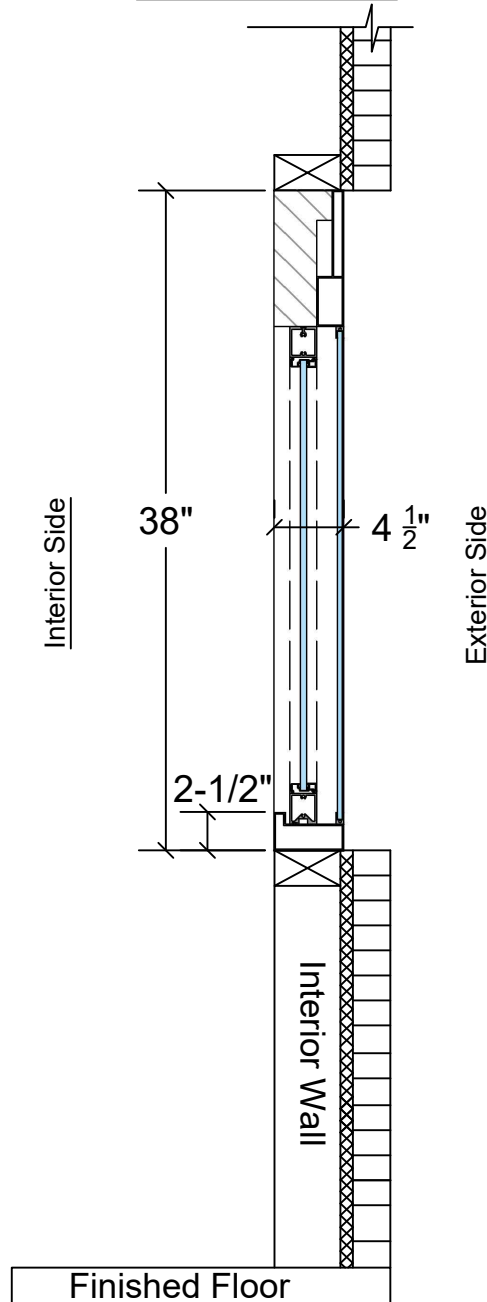
SS-4538E (Right)



Interior View



Side View



PLEASE SELECT:

1. GLAZING:
 1/4" Tempered 5/8" Insulated
 Other: _____

2. COLOR OF ALUMINUM:
 Clear Anodized Dark Bronze
 Other: _____

3. ADDITIONAL NOTES:

Key Notes

Model:
Fully automatic single sliding window unit.

Actual Dimension:
45¹/₂" (W) x 38" (H)

Rough Opening:
45⁷/₈" (W) x 38³/₈" (H)

Service Opening:
19" (W) x 26" (H)

Engineer Notes

Date drawn: 9/15/2017 Scale: N.T.S
 Drawn by: C.S.
 File name: SS-4538E.dwg

NOTE: THIS DRAWING EMBODIES A CONFIDENTIAL PROPRIETY DESIGN ORIGINATED AND OWNED BY QUIKSERV CORP., AND IS SUBMITTED UNDER A CONFIDENTIAL RELATIONS ALL PATENT, MANUFACTURING, SALE RIGHTS REGARDING THE SAME ARE RESERVED EXCEPT TO THE EXTENT RIGHTS ARE EXPRESSLY GRANTED TO OTHERS. THE RECIPIENT AGREES BY ACCEPTING THESE DRAWINGS NOT TO SUPPLY OR DISCLOSE ANY INFORMATION REGARDING THEM TO ANY UNAUTHORIZED PERSONAL.

CUSTOMER APPROVAL: _____