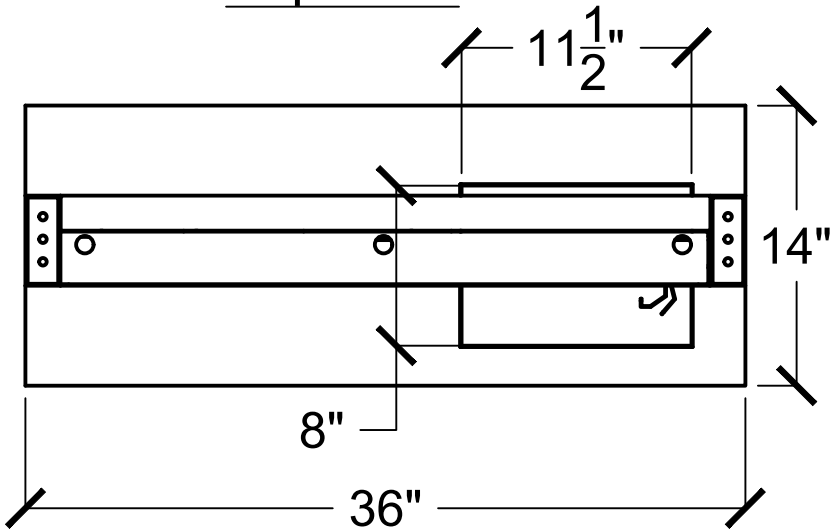
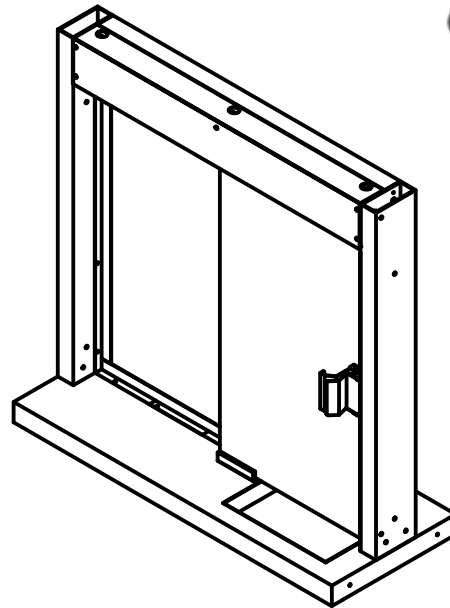
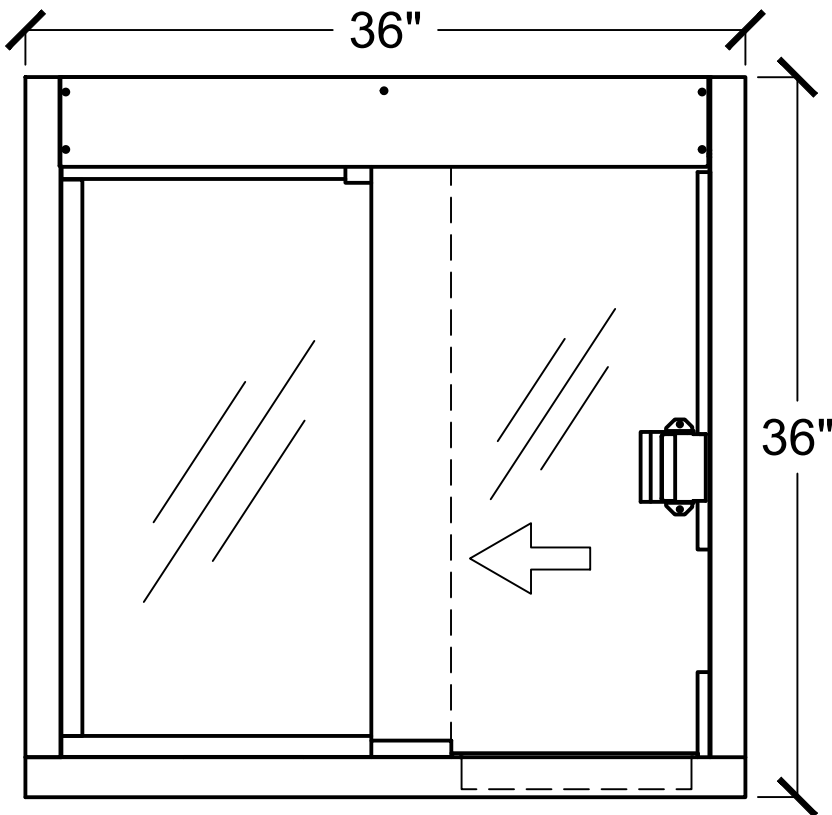


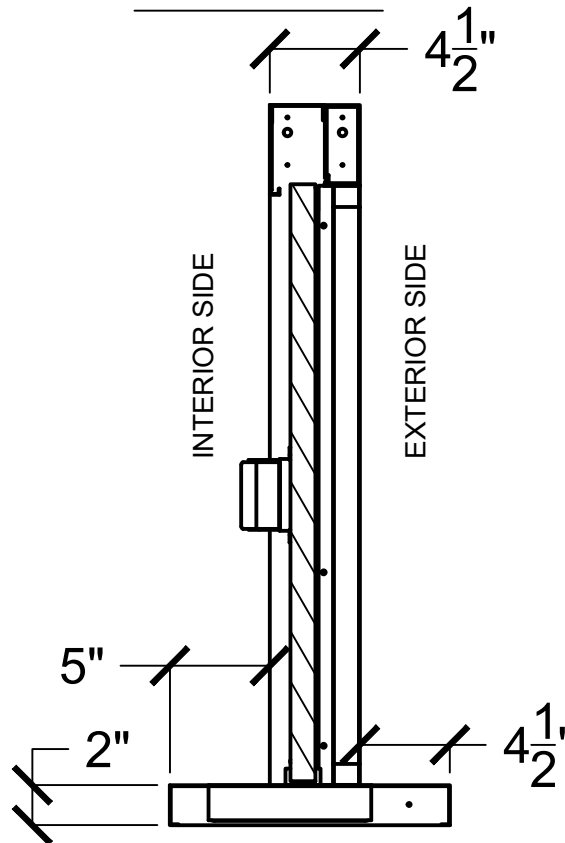
Top View



Interior Front View



Side View



**PLEASE SELECT:**

**1. FRAMING:**

- Aluminum
- UL Rated Alum
- UL Rated Stainless

**2. FRAME COLOR:**

- Bronze Anodized
- Clear Anodized

**3. GLAZING:**

- 3/4" Poly - L1
- 1-1/4" Acrylic - L1
- 1-1/4" Poly - L3
- 1-1/4" Acrylic - L3

**4. DEAL TRAY TYPE:**

- Non-BR - Curved
- BR - Square

**Key Notes**

**Unit:**  
TWB COMBO (RIGHT)

**Actual Dimension:**  
36"(W) x 36"(H)

**Rough Opening:**  
36<sup>3</sup>/<sub>8</sub>"(W) x 36<sup>3</sup>/<sub>8</sub>"(H)

**Service Opening:**  
12<sup>7</sup>/<sub>8</sub>"(W) x 29"(H)

**Engineer Notes**

Date drawn: 3/31/2020  
 Drawn by: Avasquez  
 File name: TWB Combo 36x36.dwg

Page: 1 of 1

Scale: 1:10

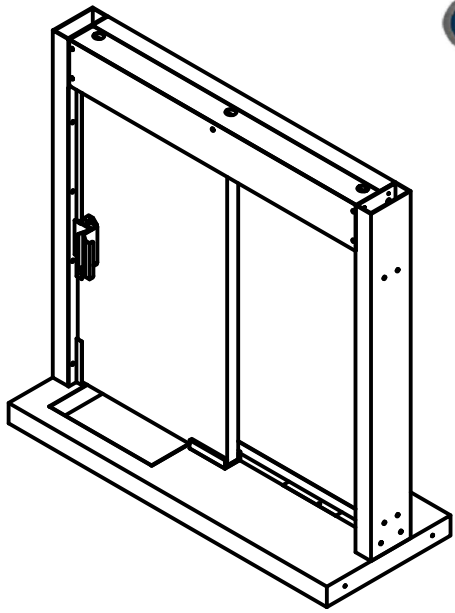
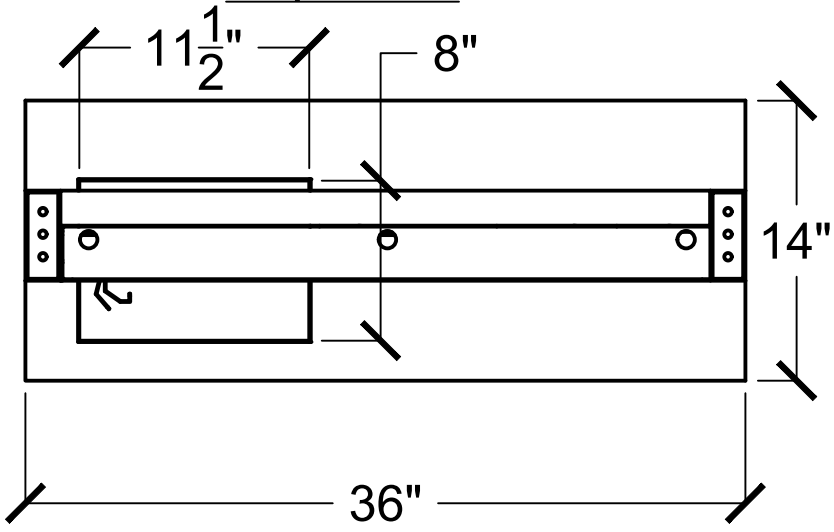
NOTE: THIS DRAWING EMBODIES A CONFIDENTIAL PROPRIETY DESIGN ORIGINATED AND OWNED BY QUIKSERV CORP., AND IS SUBMITTED UNDER A CONFIDENTIAL RELATIONS ALL PATENT, MANUFACTURING, SALE RIGHTS REGARDING THE SAME ARE RESERVED EXCEPT TO THE EXTENT RIGHTS ARE EXPRESSLY GRANTED TO OTHERS. THE RECIPIENT AGREES BY ACCEPTING THESE DRAWINGS NOT TO SUPPLY OR DISCLOSE ANY INFORMATION REGARDING THEM TO ANY UNAUTHORIZED PERSONAL.

SIGNATURE: \_\_\_\_\_

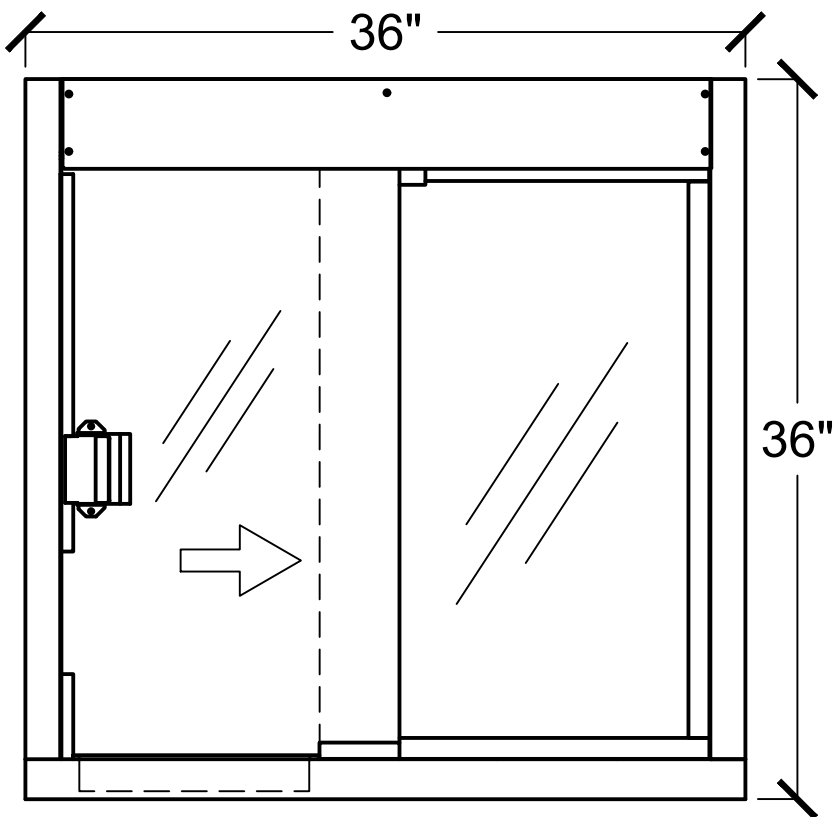
DATE: \_\_\_\_\_



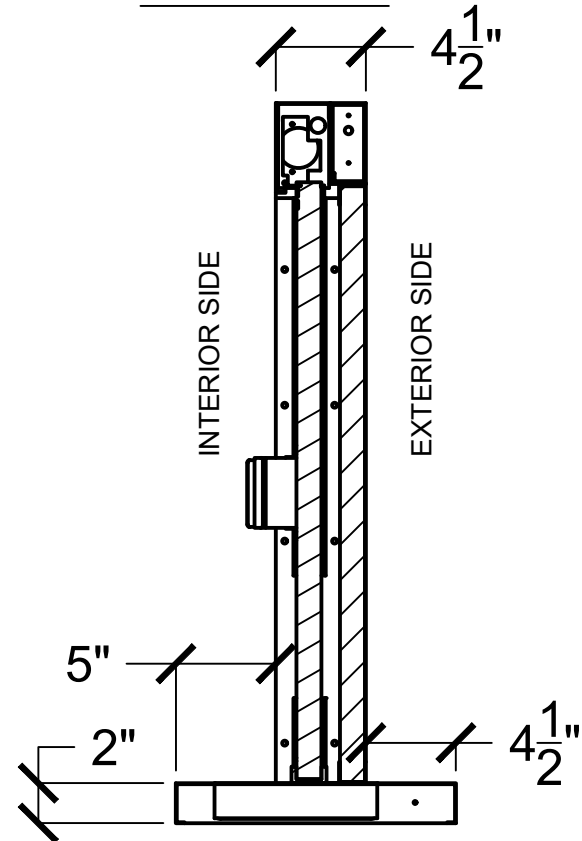
Top View



Interior Front View



Side View



**PLEASE SELECT:**

- 1. FRAMING:**
  - Aluminum
  - UL Rated Alum
  - UL Rated Stainless
- 2. FRAME COLOR:**
  - Bronze Anodized
  - Clear Anodized
  - Other: \_\_\_\_\_
- 3. GLAZING:**
  - 3/4" Poly - L1
  - 1-1/4" Acrylic - L1
  - 1-1/4" Poly - L3
  - 1-1/4" Acrylic - L3
  - Other: \_\_\_\_\_
- 4. DEAL TRAY TYPE:**
  - Non-BR - Curved
  - BR - Square

**Key Notes**

**Unit:**  
 TWB COMBO (LEFT)

**Actual Dimension:**  
 36"(W) x 36"(H)

**Rough Opening:**  
 36<sup>3</sup>/<sub>8</sub>"(W) x 36<sup>3</sup>/<sub>8</sub>"(H)

**Service Opening:**  
 12<sup>1</sup>/<sub>8</sub>"(W) x 29"(H)

**Engineer Notes**

Date drawn: 3/31/2020  
 Drawn by: Avasquez  
 File name: TWB Combo 36x36.dwg

Page: 1 of 1 Scale: 1:10

NOTE: THIS DRAWING EMBODIES A CONFIDENTIAL PROPRIETY DESIGN ORIGINATED AND OWNED BY QUIKSERV CORP., AND IS SUBMITTED UNDER A CONFIDENTIAL RELATIONS ALL PATENT, MANUFACTURING, SALE RIGHTS REGARDING THE SAME ARE RESERVED EXCEPT TO THE EXTENT RIGHTS ARE EXPRESSLY GRANTED TO OTHERS. THE RECIPIENT AGREES BY ACCEPTING THESE DRAWINGS NOT TO SUPPLY OR DISCLOSE ANY INFORMATION REGARDING THEM TO ANY UNAUTHORIZED PERSONAL.

SIGNATURE: \_\_\_\_\_  
 DATE: \_\_\_\_\_