

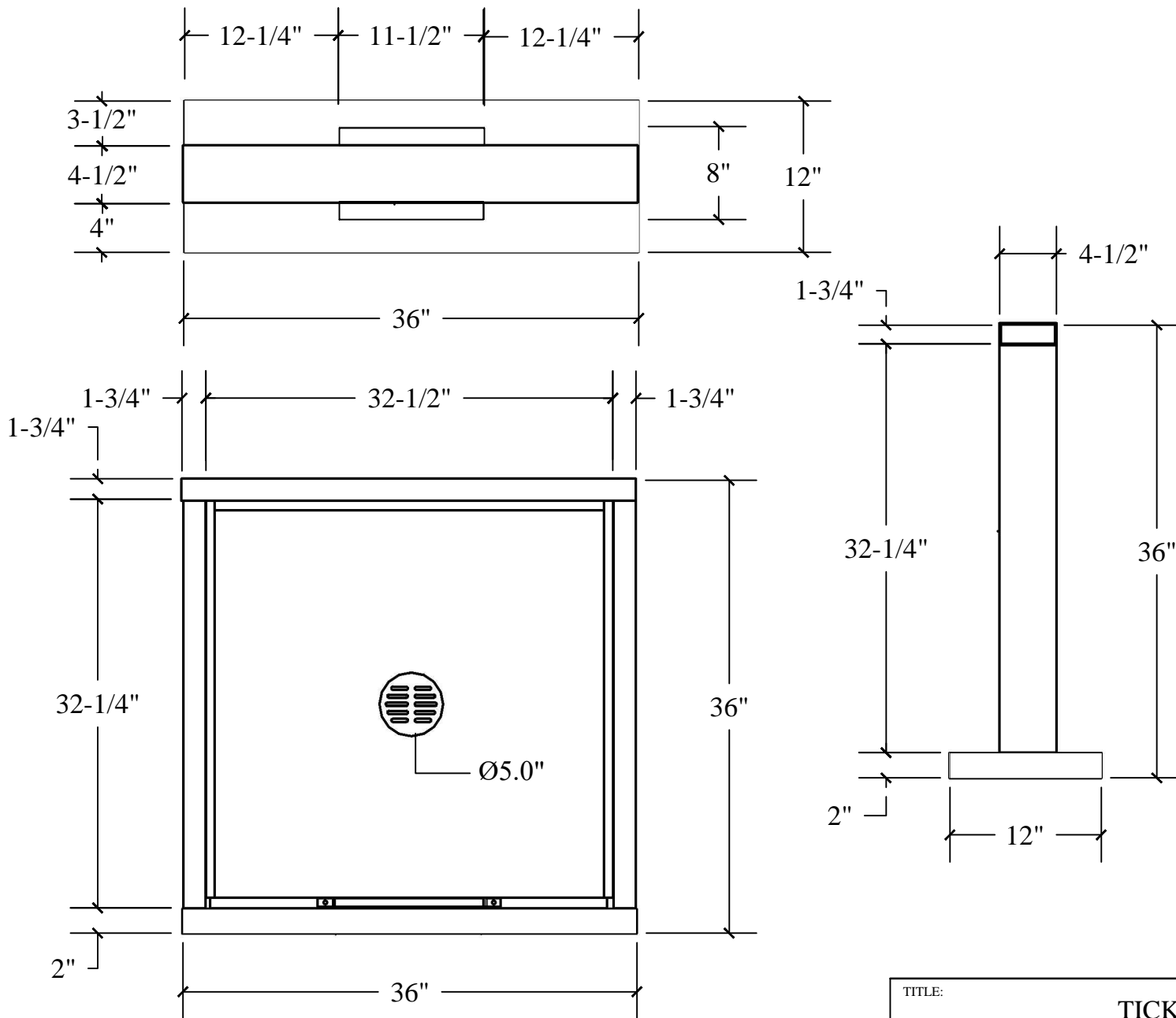
General Notes

Actual Dimension

36"(W) x 36"(H)

Rough Opening

36-3/8"(W) x 36-3/8"(H)



QUIKSERV
 11441 BRITTMOORE PARK DR.
 HOUSTON, TX., 77041

TITLE:				TICKET WINDOW	
Drawing Name				T1-3636 THREE SIDE VIEW	
DATE	DRAWN BY	SCALE	SHEET	SIZE	
7/12/2016	RBV	1:12	1 of 4		A

NOTE: THIS DRAWING EMBODIES A CONFIDENTIAL PROPRIETY DESIGN ORIGINATED AND OWNED BY QUIKSERV CORP., AND IS SUBMITTED UNDER A CONFIDENTIAL RELATIONS ALL PATENT, MANUFACTURING, SALE RIGHTS REGARDING THE SAME ARE RESERVED EXCEPT TO THE EXTENT RIGHTS ARE EXPRESSLY GRANTED TO OTHERS. THE RECIPIENT AGREES BY ACCEPTING HIP. THESE DRAWINGS NOT TO SUPPLY OR DISCLOSE ANY INFORMATION REGARDING THEM TO ANY UNAUTHORIZED PERSON.