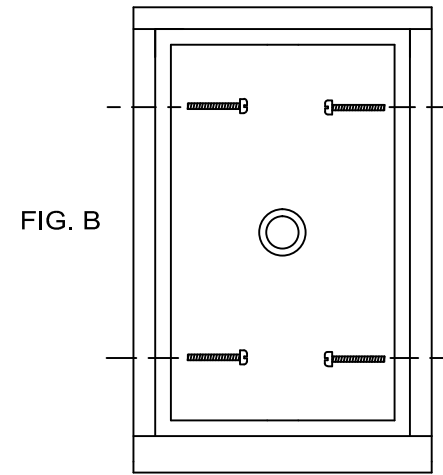
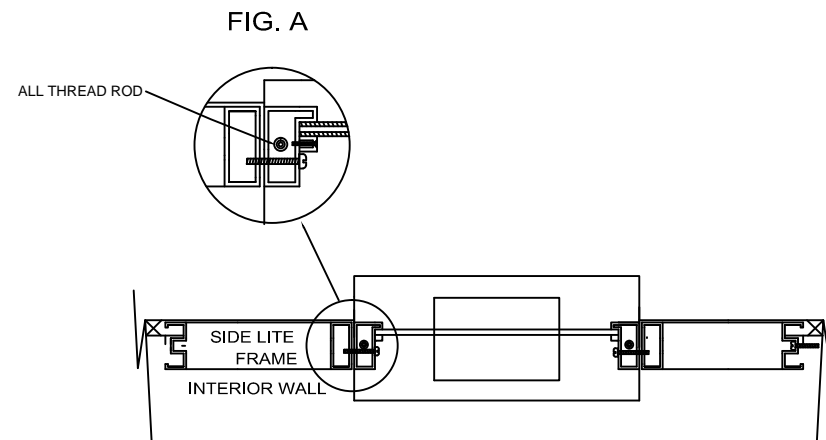


TYPICAL INSTALLATION FOR ALL TICKET WINDOWS

- 1) QUIKSERV TICKET WINDOWS MUST BE INSTALLED LEVEL AND SQUARE TO WORK PROPERLY.
- 2) ANCHOR SCREWS TO BE SUPPLIED BY CONTRACTOR. ANCHOR SCREWS TO BE #14 X 3-1/2".
- 3) ANCHOR THROUGH EACH SIDE JAMB THROUGH THE PRE-DRILLED HOLES. (SEE FIG. A & B) SEE FIG. B
- 4) CAUTION WHEN ANCHORING ANY OTHER WAY ALL THREAD RODS ARE LOCATED IN EACH SIDE JAMB. SEE FIG. A
- 5) RECOMMENDED HEIGHT FROM FLOOR TO SERVICE OPENING TO BE 36". (CHECK ALL LOCAL AND CITY CODES.)
- 6) ONLY CLEAN GLAZING WITH MILD SOAP AND WATER.
- 7) ALL OTHER TYPE OF ANCHORING TO BE APPROVED BY CERTIFIED ENGINEER.



EXTERIOR VIEW SHOWN



TOP VIEW

NOTE: THIS DRAWING EMBODIES A CONFIDENTIAL PROPRIETY DESIGN ORIGINATED AND OWNED BY QUIKSERV CORP., AND IS SUBMITTED UNDER A CONFIDENTIAL RELATIONSHIP. ALL PATENT, MANUFACTURING, SALE RIGHTS REGARDING THE SAME ARE RESERVED EXCEPT TO THE EXTENT RIGHTS ARE EXPRESSLY GRANTED TO OTHERS. THE RECIPIENT AGREES BY ACCEPTING THESE DRAWINGS NOT TO SUPPLY OR DISCLOSE ANY INFORMATION REGARDING THEM TO ANY UNAUTHORIZED PERSON.

Job:

Quikserv Corp.

1-800-388-8307
www.quikserv.com

Ticket Window Installation Drawing

Drawing Name:
T-1 Installation Drawing

Scale:
N/A

Date:
10/15/2014

Drawn By:
BC

Rev.