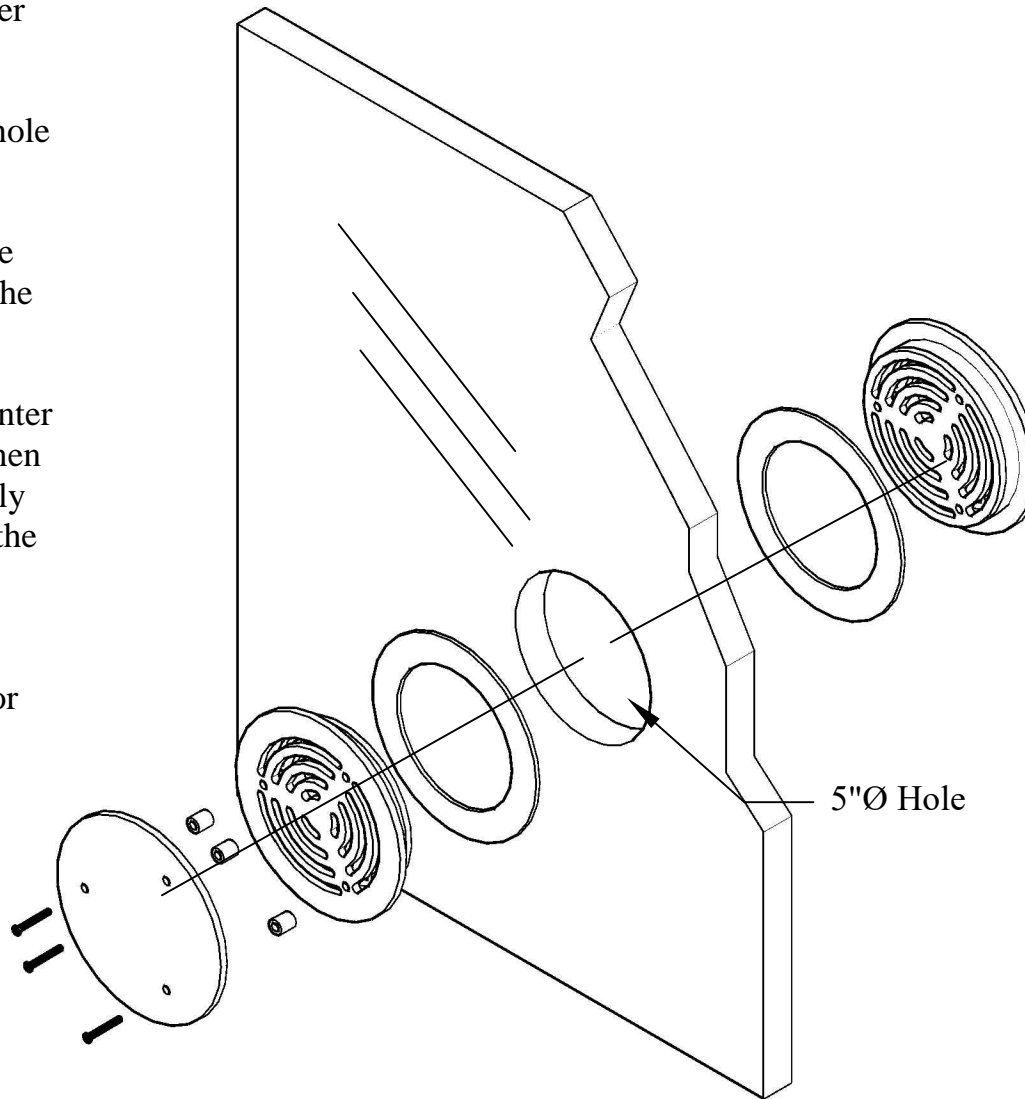


## INSTALLATION INSTRUCTION

1. Place a gasket over the center hub of the exterior casting.
2. Install in the glazing panel hole from the exterior side.
3. Insert the screws through the steel plate, the spacers and the interior casting.
4. Place the gasket over the center hub of the interior casting then position the interior assembly through the interior side of the glazing panel hole.
5. Align the screws with the threaded holes in the exterior casting.
6. Tighten the screws.



## General Notes

### Overall Dimension

6" Ø x 1-3/4" (D)  
(Excluding Spacers (3) & the  
Steel Plate (2).

### NOTE:

5" Ø Hole Required for Glazing  
Panel.

**QUIKSERV**

11441 BRITTMOORE PARK DR.  
HOUSTON, TX., 77041

TITLE:

**BULLET RESISTANT SPEAK THRU**

Drawing Name

**SPEAK THRU SYSTEM INSTALLATION**

NOTE: THIS DRAWING EMBODIES A CONFIDENTIAL PROPRIETY DESIGN ORIGINATED AND OWNED BY QUIKSERV CORP., AND IS SUBMITTED UNDER A CONFIDENTIAL RELATIONS ALL PATENT, MANUFACTURING, SALE RIGHTS REGARDING THE SAME ARE RESERVED EXCEPT TO THE EXTENT RIGHTS ARE EXPRESSLY GRANTED TO OTHERS. THE RECIPIENT AGREES BY ACCEPTING HIP. THESE DRAWINGS NOT TO SUPPLY OR DISCLOSE ANY INFORMATION REGARDING THEM TO ANY UNAUTHORIZED PERSON.

DATE

10/10/2016

DRAWN BY

RBV

SCALE

NTS

SHEET

2 of 2

SIZE

**A**