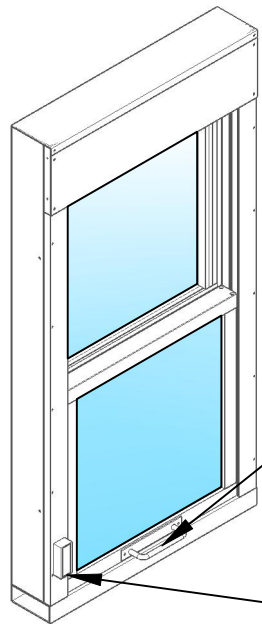


SUI SERIES

SUI 200-1 MANUAL

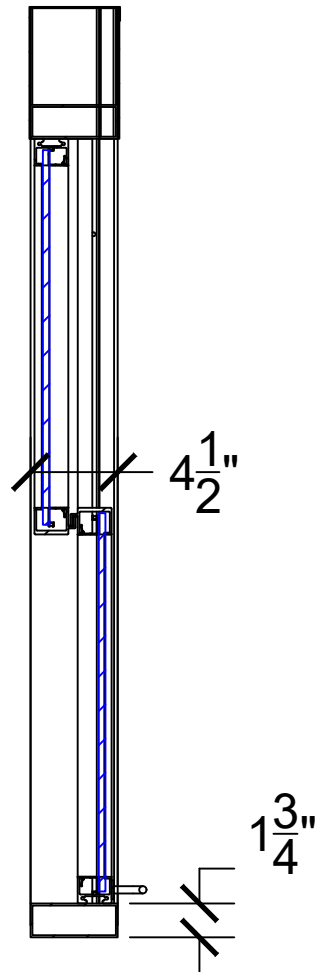
DIMENSIONS		WIDTH	HEIGHT
OVERALL		24"	48"
ROUGH OPENING		24-3/8"	48-3/8"
SERVICE OPENING 100			
SERVICE OPENING 200		20"	17-3/4"
Standard Finish	Clear Anodized	Dark Bronze Anodized	
Custom Finish			
Framing	Standard Aluminum		
Standard Glass	1/4" Tempered		



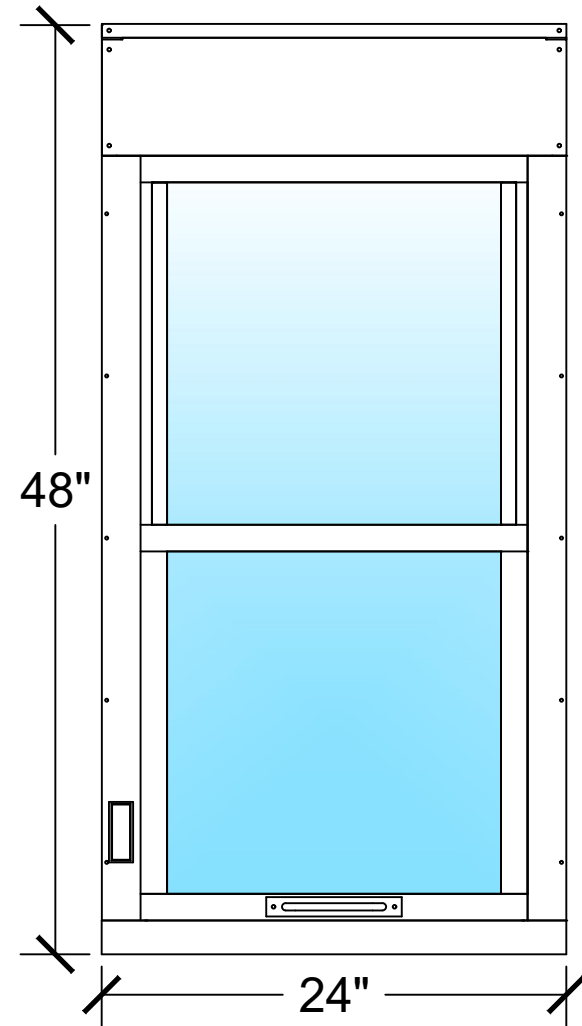
5" HANDLE

LOGIC LOCK

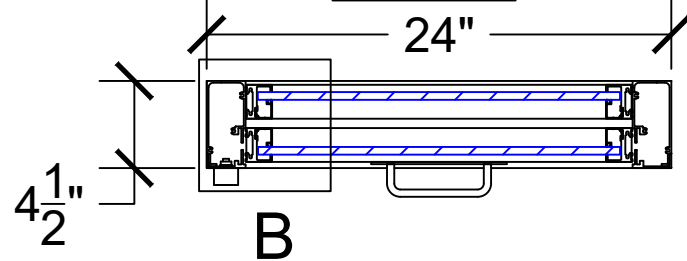
SIDE SECTION



INTERIOR SECTION



TOP SECTION



NOTE: THIS DRAWING EMBODIES A CONFIDENTIAL DESIGN ORIGINATED AND OWNED BY QUIKSERV CORP., AND IS SUBMITTED UNDER CONFIDENTIAL RELATION. ALL PATENT, MANUFACTURING, AND SALE RIGHTS ARE RESERVED EXCEPT TO THE EXTENT RIGHTS THAT ARE EXPRESSLY GRANTED TO OTHERS. THE RECIPIENT AGREES BY ACCEPTING THESE DRAWINGS NOT TO SUPPLY OR DISCLOSE ANY INFORMATION TO ANY UNAUTHORIZED PERSONNEL.



SUI-200 MANUAL

FILE NAME	SUI 200-1.dwg	DRAWN BY:	Avasquez	REV	
DRAWN	5/27/2021	SCALE:	1:0.9918		

No changes can be made after product goes into production.
 If ordering windows, check all dimensions and slide direction.
 Proceed Proceed with change Note changes and Resend

Signed _____ Date Signed _____