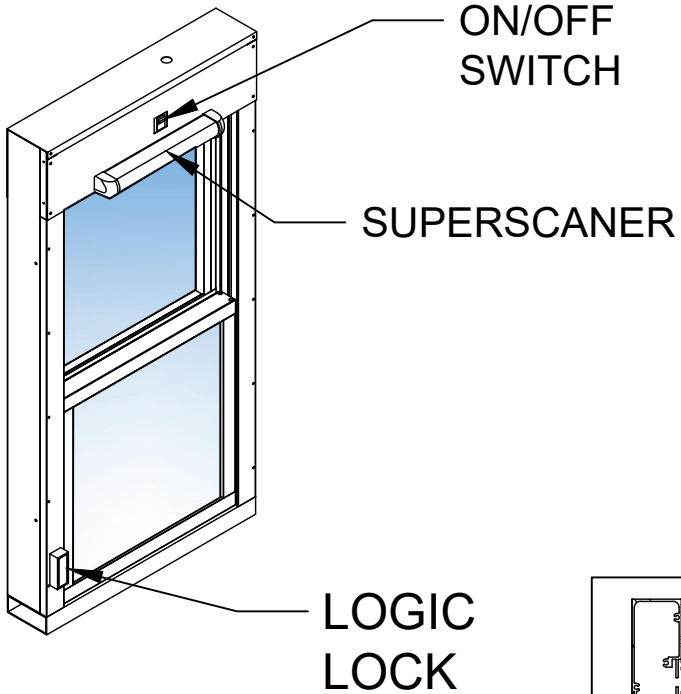


SUI SERIES

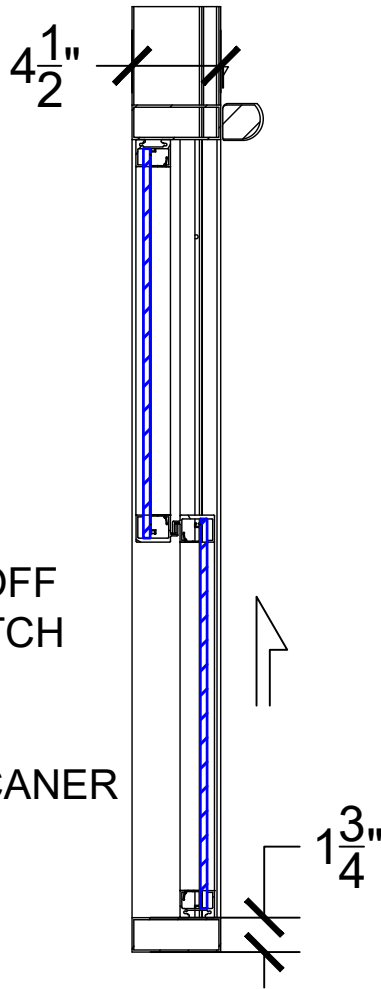
SUI 100-1 AUTOMATIC

DIMENSIONS	WIDTH	HEIGHT
OVERALL	24"	48"
ROUGH OPENING	24-3/8"	48-3/8"
SERVICE OPENING 100	20"	18"
SERVICE OPENING 200		

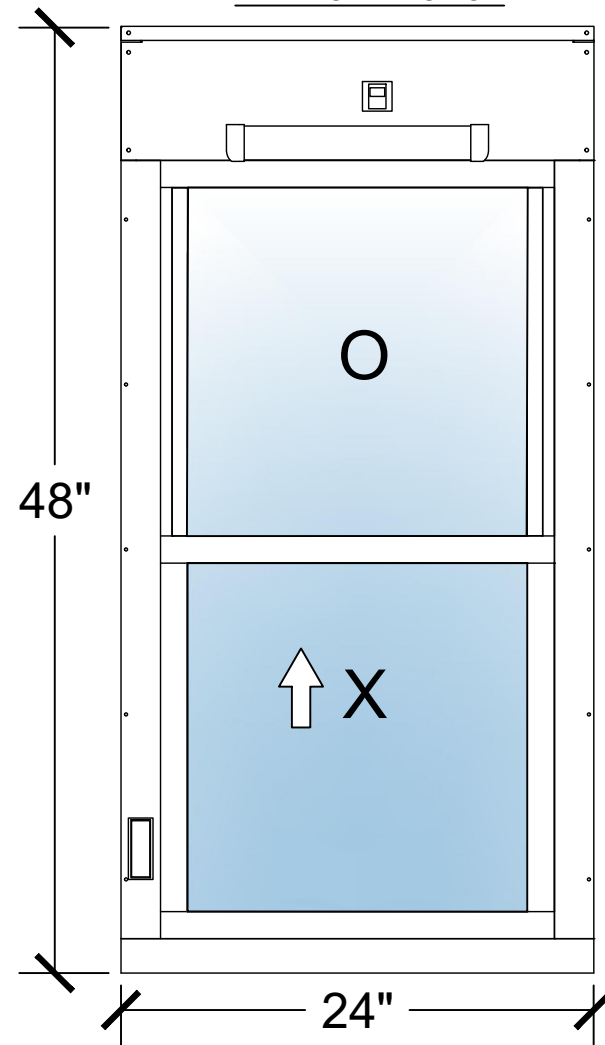
Standard Finish	Clear Anodized	Dark Bronze Anodized
Custom Finish		
Framing	Standard Aluminum	
Standard Glass	1/4" Tempered	



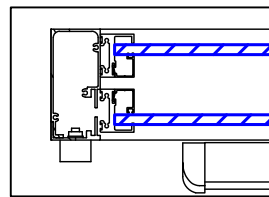
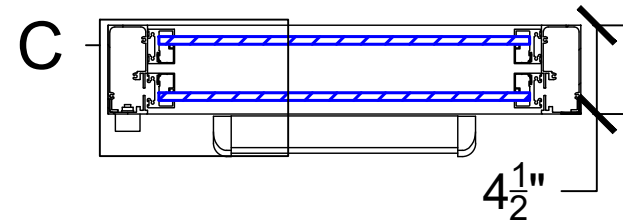
SIDE SECTION



INTERIOR SECTION



TOP SECTION



NOTE: THIS DRAWING EMBODIES A CONFIDENTIAL DESIGN ORIGINATED AND OWNED BY QUIKSERV CORP., AND IS SUBMITTED UNDER CONFIDENTIAL RELATION. ALL PATENT, MANUFACTURING, AND SALE RIGHTS ARE RESERVED EXCEPT TO THE EXTENT RIGHTS THAT ARE EXPRESSLY GRANTED TO OTHERS. THE RECIPIENT AGREES BY ACCEPTING THESE DRAWINGS NOT TO SUPPLY OR DISCLOSE ANY INFORMATION TO ANY UNAUTHORIZED PERSONNEL.



SUI-100 ELECTRIC

FILE NAME: SUI 100-1.dwg
 DRAWN: 3/25/2020
 SCALE: 1:0.9746

DRAWN BY: Avasquez
 REV: ---

No changes can be made after product goes into production.
 If ordering windows, check all dimensions and slide direction.
 Proceed Proceed with change Note changes and Resend

Signed _____ Date Signed _____