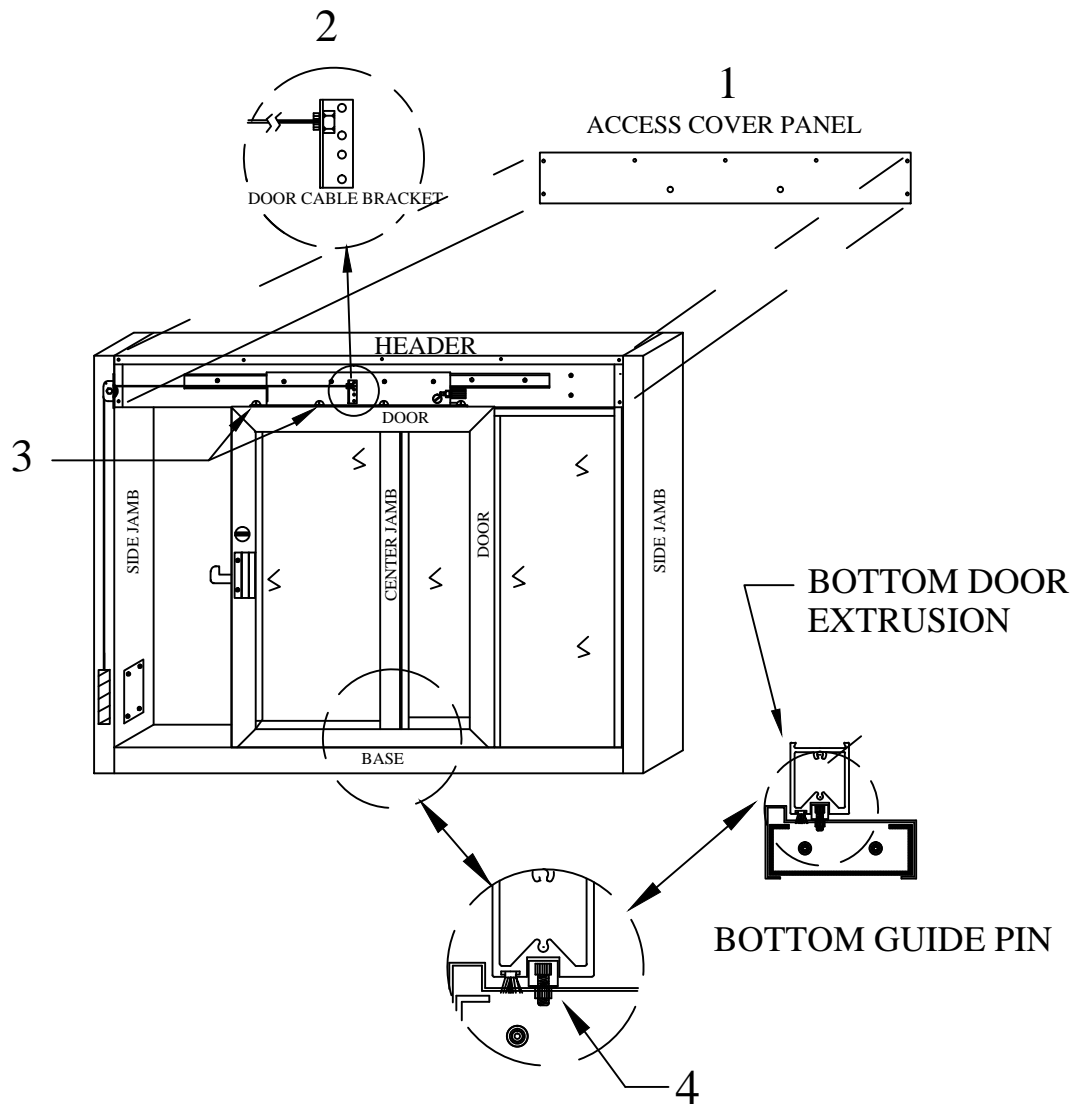


SINGLE SLIDER DOOR GUIDE REPLACEMENT



TOOLS NEEDED

5/16" Wrench / Nut Driver
 3/8" Wrench
 5/32" Allen head wrench
 Small pliers or vise grips

1. Remove the screws from the front access cover.
2. Remove the nut holding the weight cable to door bracket.
3. Remove the screws at the top of the door connected to the door bracket.
 (Remove door and set aside)
4. Remove old door guide (Part#1017) and replace with new one.
 (The bottom nutsert may also need replacing.)
5. Replace door in reverse order it was removed.

NOTE: THIS DRAWING EMBODIES A CONFIDENTIAL PROPRIETARY DESIGN ORIGINATED AND OWED BY QUIKSERV CORP., AND IS SUBMITTED UNDER A CONFIDENTIAL RELATIONSHIP. ALL PATENT, MANUFACTURING, SALE RIGHTS REGARDING THE SAME ARE RESERVED EXCEPT TO THE EXTENT RIGHTS ARE EXPRESSLY GRANTED TO OTHERS. THE RECIPIENT AGREES BY ACCEPTING THESE DRAWINGS NOT TO SUPPLY OR DISCLOSE ANY INFORMATION REGARDING THEM TO ANY UNAUTHORIZED PERSON.

Quikserv Corp.
 www.quikserv.com
 1-800-388-8307

SINGLE SLIDER DOOR GUIDE REPLACEMENT

Submitted By:

BRIAN COBLE

DATE:

10/24/2014

Sheet:

SC-DG