

TYPICAL SST-4035E INSTALLATION

- 1) Quikserv windows must be installed level and square to work properly.
- 2) Anchor through each side jamb at two places approx. 5" at top and bottom of each jamb.(See Fig. 1)
- 3) Ensure to drill in between the eye wire and power cable located in the left jamb.
- 4) 115V / 15 Amp. Dedicated circuit required.
- 5) Recommended height from floor to service opening to be 36". (Check all local and city codes)
- 6) Silicone all exterior and interior joints.
- 7) All other type of anchoring to be approved by certified engineer.

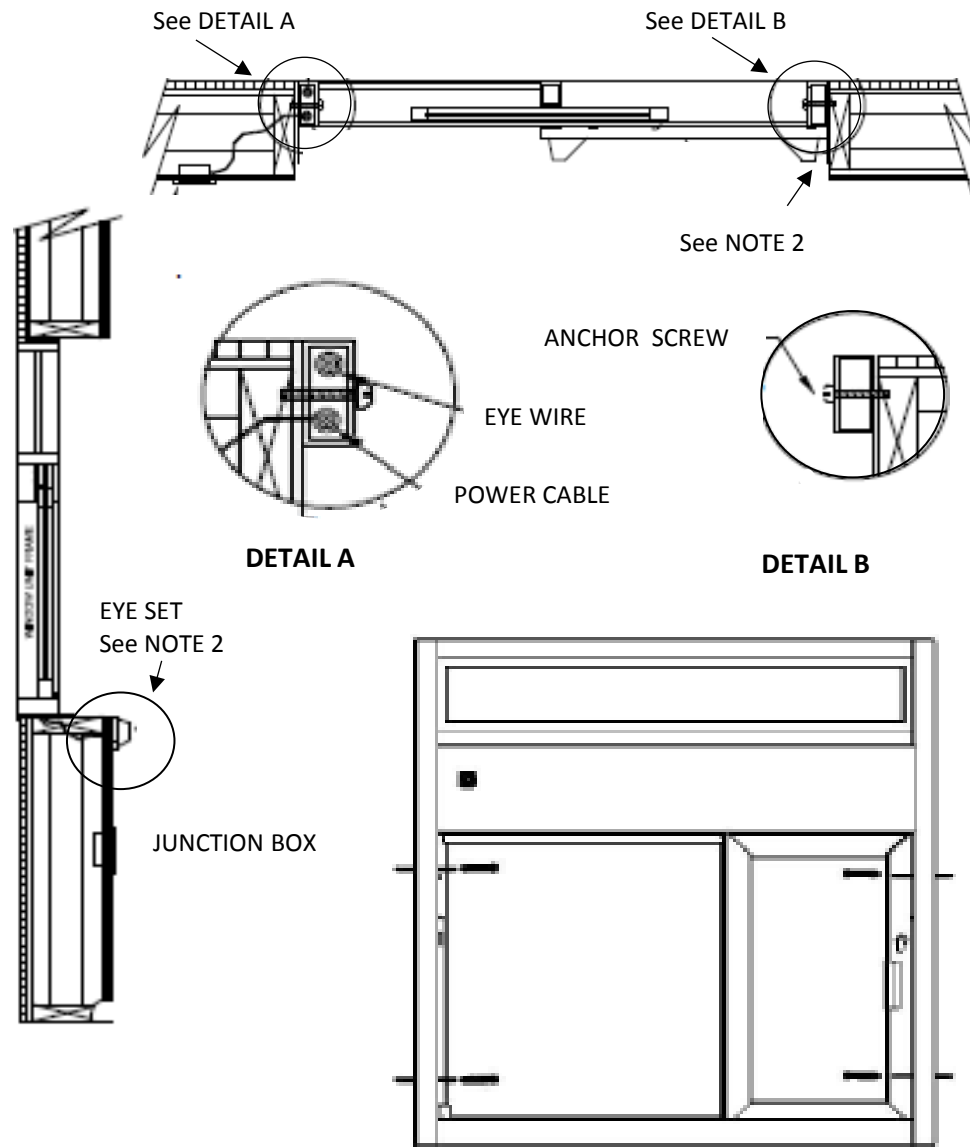


FIGURE 1

General Notes

Actual Dimension
48"(W) x 52"(H)

Service Opening
15"(W) x 29"(H)

Rough Opening
48-3/8"(W) x 52-3/8"(H)

NOTE 1:
Anchor Screws to be supplied by contractor.

NOTE 2:
Eye set to be mounted in the middle of the service opening. The outside edge should be in line with the outer edge of the side jamb of the operating door.

NOTE 3:
The junction box for power supply to be supplied by contractor.

CAUTION:
Use caution when drilling. The power supply cable is located in the left hand jamb.

QUIKSERV
11441 BRITTMOORE PARK DR.
HOUSTON, TX., 77041

| | | | | |
|---|-----------------|--------------|-----------------|------------------|
| TITLE: INSTALLATION PROCEDURE | | | | |
| Drawing Name SST-4035E INSTALLATION DRAWING | | | | |
| DATE 3/22/2016 | DRAWN BY RBV | SCALE NTS | SHEET 1 of 1 | SIZE A |

NOTE: THIS DRAWING EMBODIES A CONFIDENTIAL PROPRIETY DESIGN ORIGINATED AND OWNED BY QUIKSERV CORP. AND IS SUBMITTED UNDER A CONFIDENTIAL RELATIONS ALL PATENT, MANUFACTURING, SALE RIGHTS REGARDING THE SAME ARE RESERVED EXCEPT TO THE EXTENT RIGHTS ARE EXPRESSLY GRANTED TO OTHERS. THE RECIPIENT AGREES BY ACCEPTING HIP. THESE DRAWINGS NOT TO SUPPLY OR DISCLOSE ANY INFORMATION REGARDING THEM TO ANY UNAUTHORIZED PERSON.