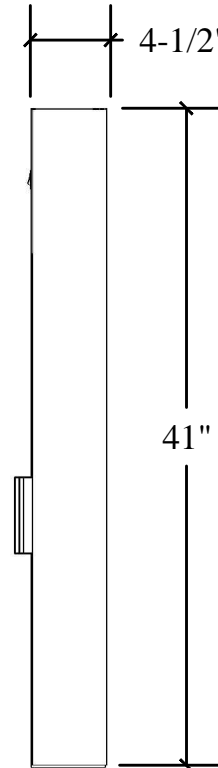
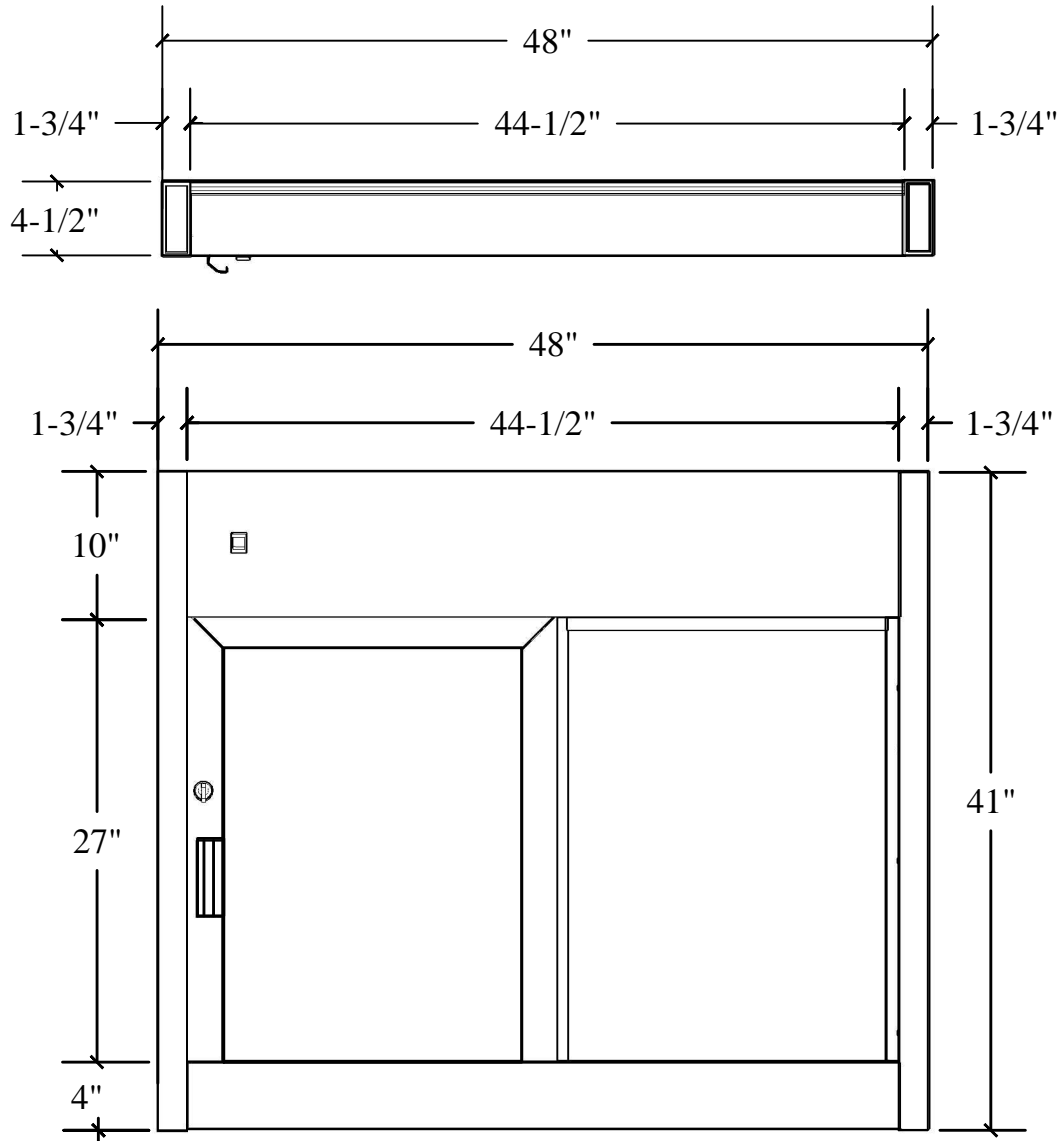


General Notes

Actual Dimension
48"(W) x 41"(H)

Service Opening
20"(W) x 27"(H)

Rough Opening
48-3/8"(W) x 41-3/8"(H)



QUIKSERV

11441 BRITTMOORE PARK DR.
HOUSTON, TX., 77041

TITLE: **FULLY AUTOMATIC WINDOW**

Drawing Name: **SS-4035E-IP THREE SIDE VIEW**

DATE	DRAWN BY	SCALE	SHEET	SIZE
07/12/2016	RBV	1:12	1 of 4	A

NOTE: THIS DRAWING EMBODIES A CONFIDENTIAL PROPRIETY DESIGN ORIGINATED AND OWNED BY QUIKSERV CORP., AND IS SUBMITTED UNDER A CONFIDENTIAL RELATIONS ALL PATENT, MANUFACTURING, SALE RIGHTS REGARDING THE SAME ARE RESERVED EXCEPT TO THE EXTENT RIGHTS ARE EXPRESSLY GRANTED TO OTHERS. THE RECIPIENT AGREES BY ACCEPTING HIP. THESE DRAWINGS NOT TO SUPPLY OR DISCLOSE ANY INFORMATION REGARDING THEM TO ANY UNAUTHORIZED PERSON.