

## General Notes

**Actual Dimension**

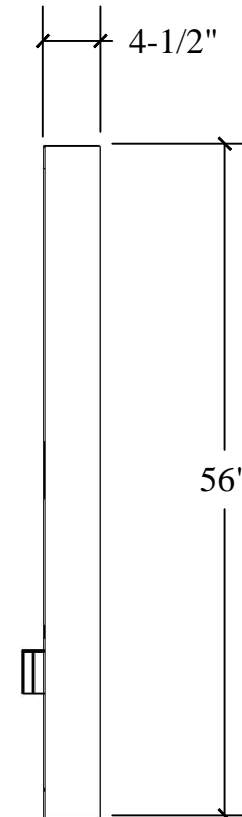
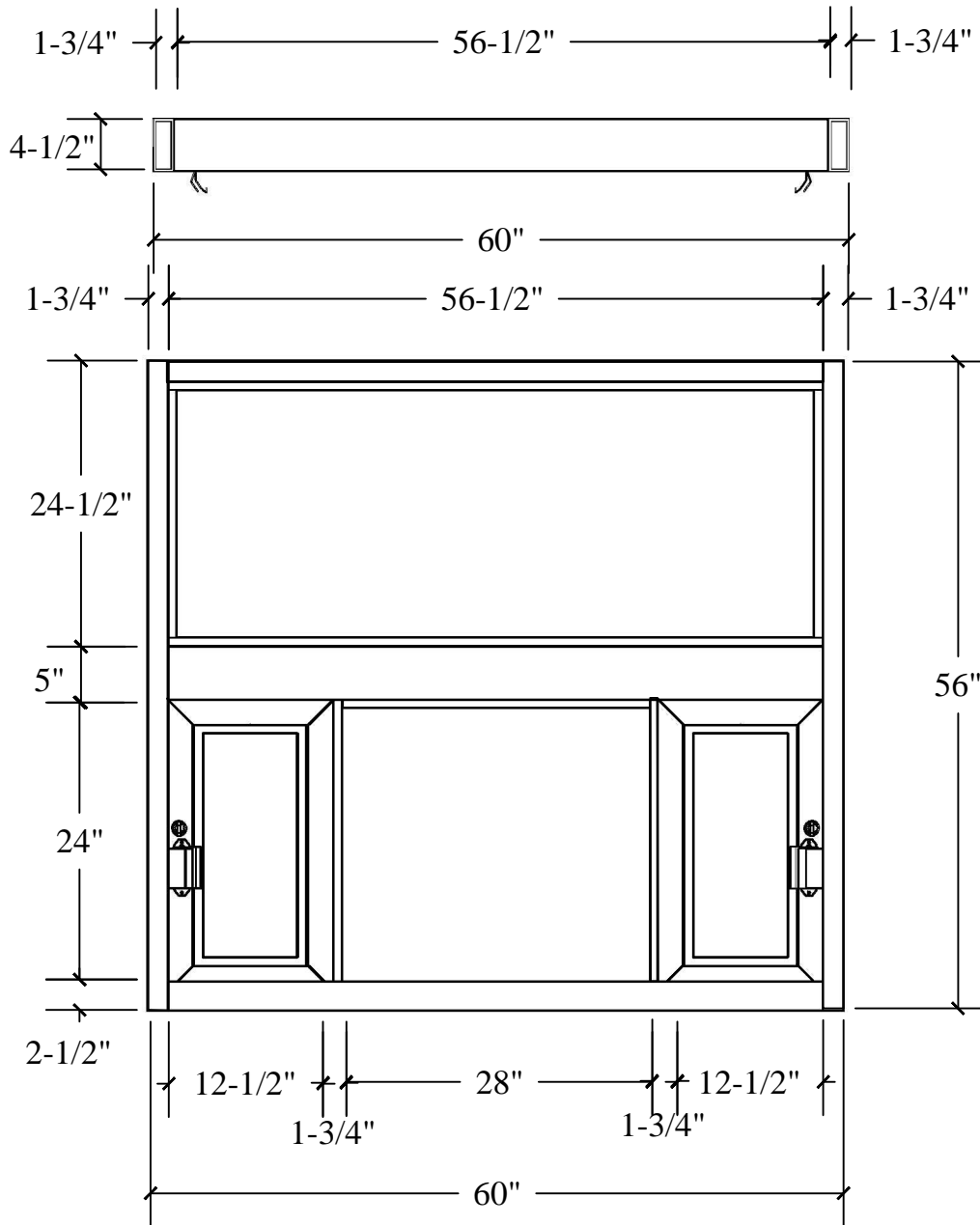
60"(W) x 56"(H)

**Service Opening-Each Side**

12-1/2"(W) x 24"(H)

**Rough Opening**

60-1/2"(W) x 56-1/2"(H)



**QUIKSERV**

11441 BRITTMOORE PARK DR.  
HOUSTON, TX., 77041

TITLE:  
**MANUAL OPEN, SELF CLOSING DOUBLE SLIDER**

Drawing Name  
**SCDS-6056 THREE SIDE VIEW**

DATE  
6/27/2016

DRAWN BY  
RBV

SCALE  
1:16

SHEET  
1 of 4

SIZE  
**A**

NOTE: THIS DRAWING EMBODIES A CONFIDENTIAL PROPRIETY DESIGN ORIGINATED AND OWNED BY QUIKSERV CORP., AND IS SUBMITTED UNDER A CONFIDENTIAL RELATIONS ALL PATENT, MANUFACTURING, SALE RIGHTS REGARDING THE SAME ARE RESERVED EXCEPT TO THE EXTENT RIGHTS ARE EXPRESSLY GRANTED TO OTHERS. THE RECIPIENT AGREES BY ACCEPTING HIP. THESE DRAWINGS NOT TO SUPPLY OR DISCLOSE ANY INFORMATION REGARDING THEM TO ANY UNAUTHORIZED PERSON.