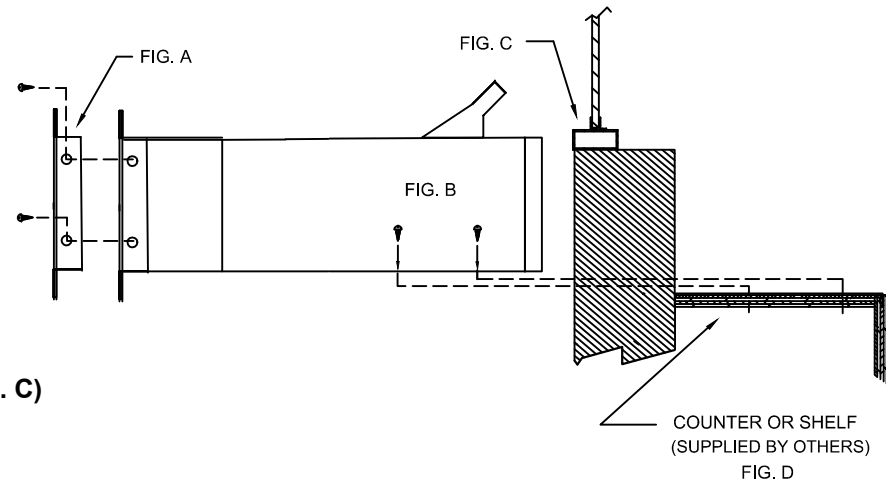


TYPICAL

QST-619 & 619S INSTALLATION

- 1) QUIKSERV DRAWERS MUST BE INSTALLED LEVEL AND SQUARE TO WORK PROPERLY.
- 2) ANCHOR SCREWS TO BE SUPPLIED BY CONTRACTOR.
- 3) SLIDE DRAWER THROUGH ROUGH OPENING FROM THE INTERIOR SIDE TO THE EXTERIOR.
- 4) ATTACH FLANGE TO OUTSIDE OF DRAWER USING THE THE 4 SCREWS SUPPLIED TO THE PRE- TAPPED HOLES ON THE SIDE OF DRAWER. (SEE FIG. A)
- 5) SLIDE DRAWER FLUSH WITH EXTERIOR WALL.
- 6) ANCHOR BOTTOM OF DRAWER TO COUNTER TOP OR SHELF. (SEE FIG. B & D)
- 7) MAXIUM MULLION WIDTH (DEPTH) ABOVE DRAWER TO BE NO MORE THAN 4-1/2" FOR MAXIMUM TRANSFER AREA. (SEE FIG. C)
- 8) BACK PANEL OF DRAWER MUST BE ACCESSIBLE TO SERVICE DRAWER.
- 9) SILICONE ALL EXTERIOR AND INTERIOR JOINTS.
- 10) ALL OTHER TYPE OF ANCHORING TO BE APPROVED BY CERTIFIED ENGINEER.



NOTE: THIS DRAWING EMBODIES A CONFIDENTIAL PROPRIETY DESIGN ORIGINATED AND OWNED BY QUIKSERV CORP., AND IS SUBMITTED UNDER A CONFIDENTIAL RELATIONSHIP. ALL PATENT, MANUFACTURING, SALE RIGHTS REGARDING THE SAME ARE RESERVED EXCEPT TO THE EXTENT RIGHTS ARE EXPRESSLY GRANTED TO OTHERS. THE RECIPIENT AGREES BY ACCEPTING THESE DRAWINGS NOT TO SUPPLY OR DISCLOSE ANY INFORMATION REGARDING THEM TO ANY UNAUTHORIZED PERSON.

Rough Opening: QST-619S
21-1/8" (W) X 6-5/8" (H)

Rough Opening: QST-619
15-1/4" (W) X 6-5/8" (H)

Actual Dimension: QST-619S
20-3/4" (W) X 6-1/4" (H)

Actual Dimension: QST-619
14-7/8" (W) X 6-1/4" (H)

Quikserv Corp.

1-800-388-8307
www.quikserv.com

QST-619-DT & 619S Installation

Drawing Name:
QST-619 & 619S Installation Drawing

Scale:
N/A

Date:
1/28/2015

Drawn By:
BC

Rev.