

## General Notes

**Actual Dimension**  
20-3/4"(W) x 6-1/4"(H)

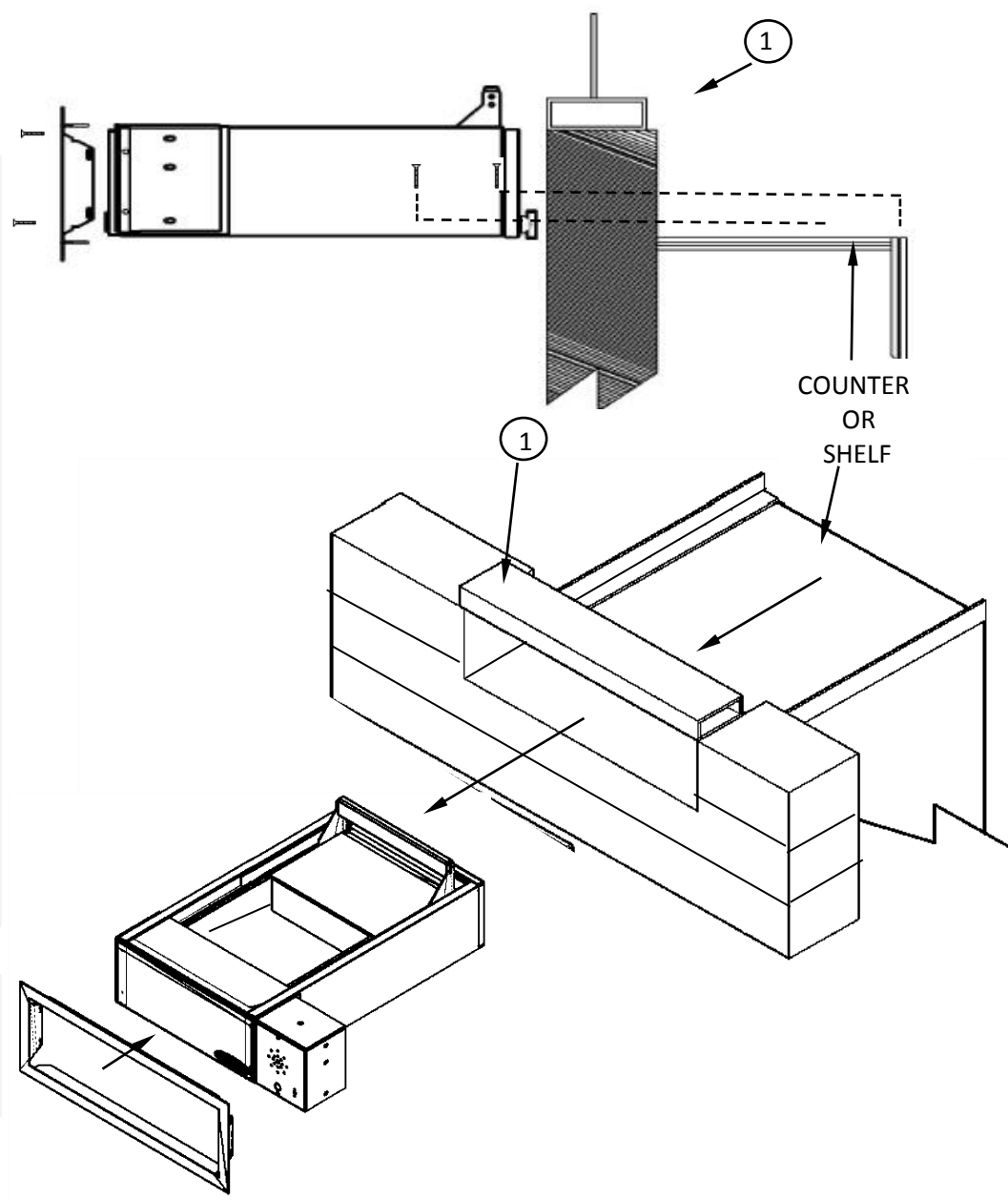
**Transfer Area**  
10-1/2"(W) x 3-7/8"(H) x  
13-1/8"(D)

**Rough Opening**  
21-5/8"(W) x 6-5/8"(H)

### TYPICAL QST-619S-DT INSTALLATION

1. Quikserv Drawers must be installed level & square to work properly.
2. Anchor screws to be supplied by contractor.
3. Silicone all exterior and interior joints.
4. All other type of anchoring to be approved by certified engineer.

**QUIKSERV**  
11441 BRITTMOORE PARK DR.  
HOUSTON, TX., 77041



### STEPS AND PROCEDURE

- 1) Slide Drawer through rough opening from the interior side to the exterior.
- 2) Attach flange to outside of the drawer using the 4 each screws supplied to the pre-tapped holes on the side of the drawer.
- 3) Slide drawer flush with exterior wall.
- 4) Anchor bottom of drawer to counter top or shelf.
- 5) Maximum mullion width (depth) above drawer to be no more than 4-1/2" for maximum transfer area (ITEM 1)
- 6) Back panel of the drawer must be accessible for service.

TITLE: <b>TRANSACTION DRAWER</b>				
Drawing Name: <b>QST - 619S-DT INSTALLATION DRAWING</b>				
DATE	DRAWN BY	SCALE	SHEET	SIZE
7/06/2016	RBV	NTS	4 of 4	A

**NOTE: THIS DRAWING EMBODIES A CONFIDENTIAL PROPRIETY DESIGN ORIGINATED AND OWNED BY QUIKSERV CORP. AND IS SUBMITTED UNDER A CONFIDENTIAL RELATION'S ALL PATENT, MANUFACTURING, SALE RIGHTS REGARDING THE SAME ARE RESERVED EXCEPT TO THE EXTENT RIGHTS ARE EXPRESSLY GRANTED TO OTHERS. THE RECIPIENT AGREES BY ACCEPTING HIP. THESE DRAWINGS NOT TO SUPPLY OR DISCLOSE ANY INFORMATION REGARDING THEM TO ANY UNAUTHORIZED PERSON.**