

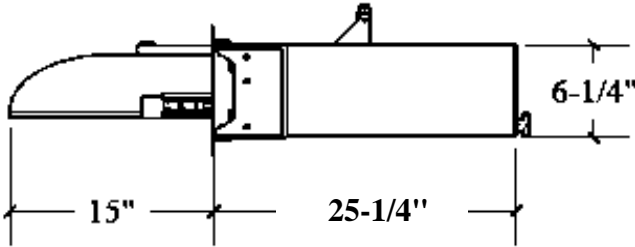
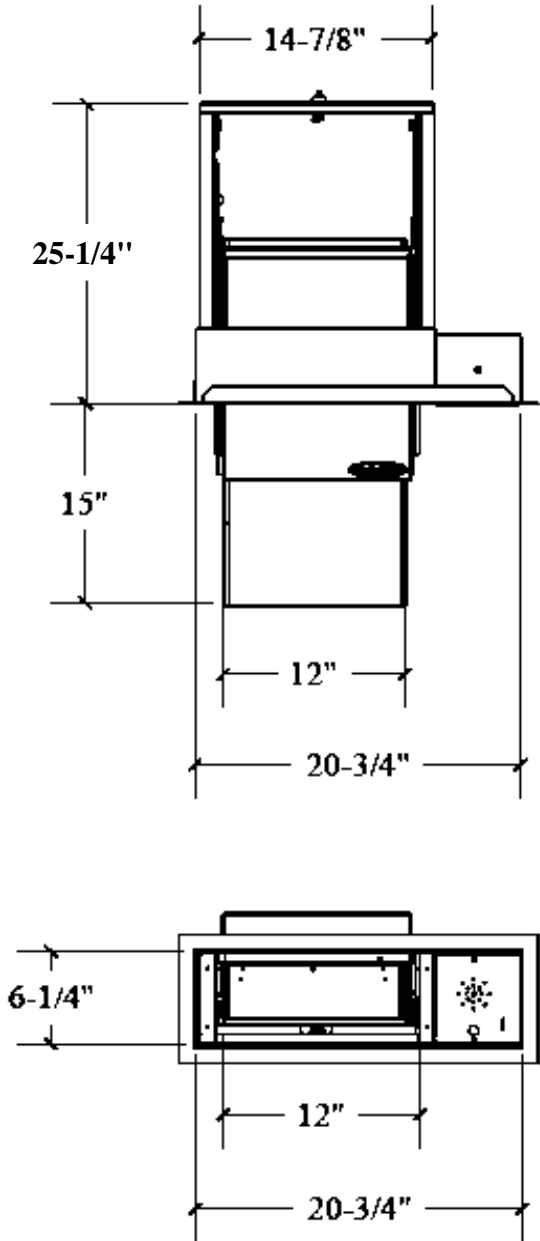
General Notes

Actual Dimension
20-3/4"(W) x 6-1/4"(H)

Transfer Area
10-1/2"(W) x 3-7/8"(H) x
13-1/8"(D)

Rough Opening
21-1/8"(W) x 6-5/8"(H)

QUIKSERV
11441 BRITTMORE PARK DR.
HOUSTON, TX, 77041



1" FLANGE

NOTE: THIS DRAWING EMBODIES A CONFIDENTIAL PROPERTY DESIGN ORIGINATED AND OWNED BY QUIKSERV CORP., AND IS SUBMITTED UNDER A CONFIDENTIAL RELATIONS ALL PATENT, MANUFACTURING, SALE RIGHTS REGARDING THE SAME ARE RESERVED EXCEPT TO THE EXTENT RIGHTS ARE EXPRESSLY GRANTED TO OTHERS. THE RECIPIENT AGREES BY ACCEPTING BID. THESE DRAWINGS NOT TO SUPPLY OR DISCLOSE ANY INFORMATION REGARDING THEM TO ANY UNAUTHORIZED PERSON.

TITLE: TRANSACTION DRAWER				
Drawing Name: QST - 619S-DT THREE SIDE VIEW				
DATE	DRAWN BY	SCALE	SHEET	SIZE
7/06/2016	RBV	1:12	1 of 4	A