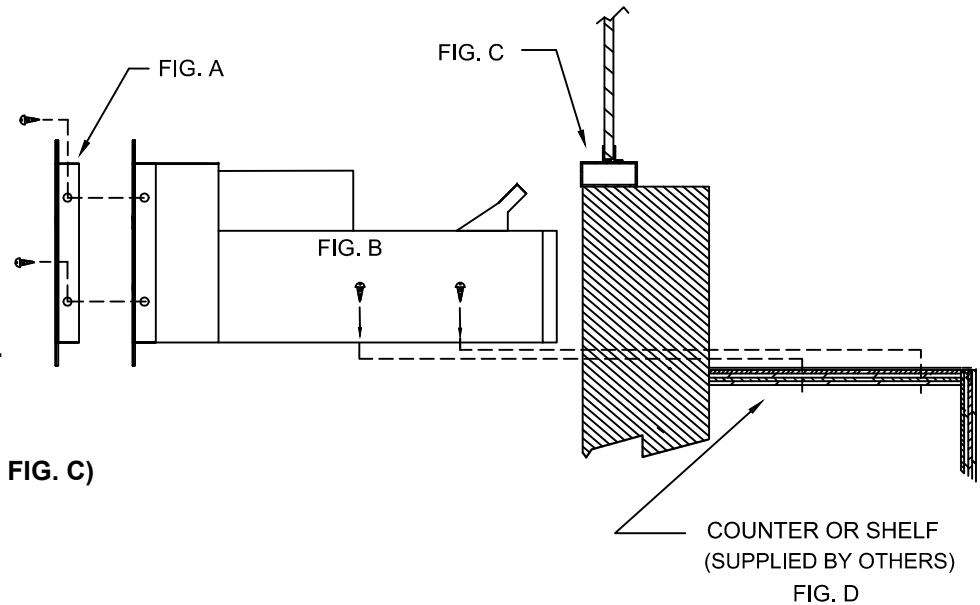


# TYPICAL

## QST-1019 & 1019S INSTALLATION

- 1) QUIKSERV DRAWERS MUST BE INSTALLED LEVEL AND SQUARE TO WORK PROPERLY.
- 2) ANCHOR SCREWS TO BE SUPPLIED BY CONTRACTOR.
- 3) SLIDE DRAWER THROUGH ROUGH OPENING FROM THE INTERIOR SIDE TO THE EXTERIOR.
- 4) ATTACH FLANGE TO OUTSIDE OF DRAWER USING THE THE 4 SCREWS SUPPLIED TO THE PRE- TAPPED HOLES ON THE SIDE OF DRAWER. (SEE FIG. A)
- 5) SLIDE DRAWER FLUSH WITH EXTERIOR WALL.
- 6) ANCHOR BOTTOM OF DRAWER TO COUNTER TOP OR SHELF. (SEE FIG. B & D)
- 7) MAXIUM MULLION WIDTH (DEPTH) ABOVE DRAWER TO BE NO MORE THAN 4-1/2" FOR MAXIMUM TRANSFER AREA. (SEE FIG. C)
- 8) BACK PANEL OF DRAWER MUST BE ACCESSIBLE TO SERVICE DRAWER.
- 9) SILICONE ALL EXTERIOR AND INTERIOR JOINTS.
- 10) ALL OTHER TYPE OF ANCHORING TO BE APPROVED BY CERTIFIED ENGINEER.



NOTE: THIS DRAWING EMBODIES A CONFIDENTIAL PROPRIETY DESIGN ORIGINATED AND OWNED BY QUIKSERV CORP., AND IS SUBMITTED UNDER A CONFIDENTIAL RELATIONSHIP. ALL PATENT, MANUFACTURING, SALE RIGHTS REGARDING THE SAME ARE RESERVED EXCEPT TO THE EXTENT RIGHTS ARE EXPRESSLY GRANTED TO OTHERS. THE RECIPIENT AGREES BY ACCEPTING THESE DRAWINGS NOT TO SUPPLY OR DISCLOSE ANY INFORMATION REGARDING THEM TO ANY UNAUTHORIZED PERSON.

Rough Opening: QST-1019S  
24-1/8" (W) X 10" (H)

Rough Opening: QST-1019  
18-3/8" (W) X 10" (H)

Actual Dimension: QST-1019S  
23-3/4" (W) X 9-5/8" (H)

Actual Dimension: QST-1019  
18" (W) X 9-5/8" (H)

Quikserv Corp.

1-800-388-8307  
www.quikserv.com

## QST-1019 & 1019S Installation

Drawing Name:  
QST-1019 & 1019S Installation

Scale:  
N/A

Date:  
10/16/2014

Drawn By:  
BC

Rev.