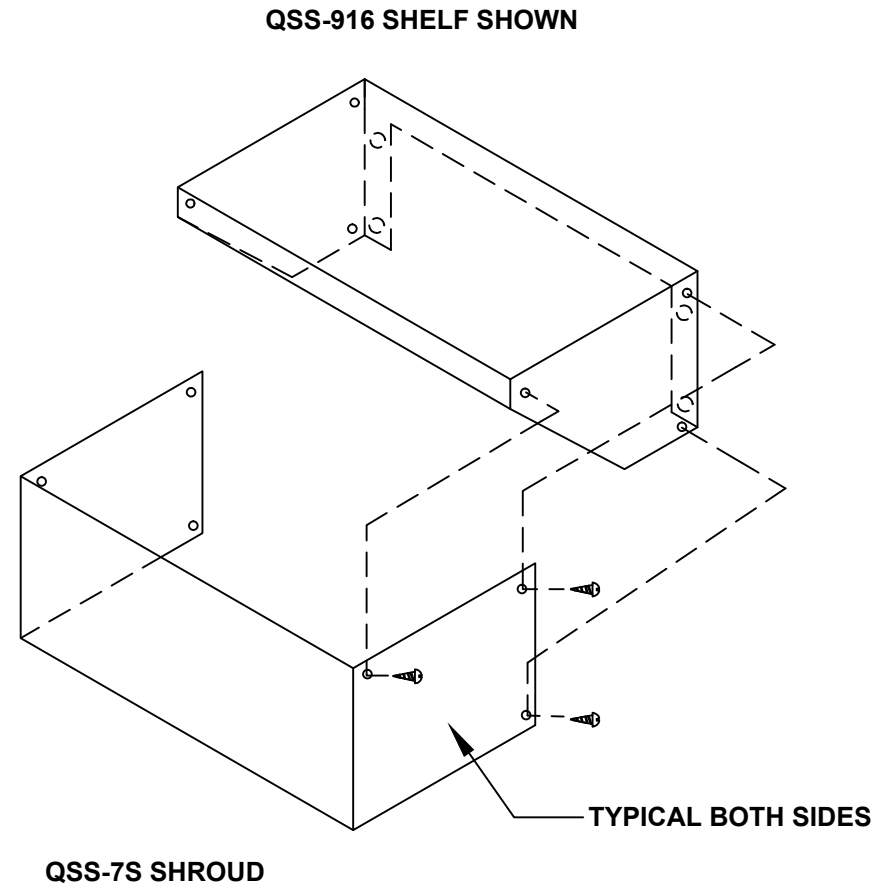


TYPICAL QSS-7S SHROUD INSTALLATION

- 1) QUIKSERV'S SHROUD AND SHELVES MUST BE INSTALLED LEVEL AND SQUARE TO WORK PROPERLY.
- 2) USE THE 10-32 SCREWS PROVIDED FOR ASSEMBLY.
- 3) USE THE 6 PRE- DRILLED MOUNTING HOLES PROVIDED TO ANCHOR THE SHROUD TO THE SHELF .
- 4) SILICONE ALL EXTERIOR AND INTERIOR JOINTS.
- 5) ALL OTHER TYPE OF ANCHORING TO BE APPROVED BY CERTIFIED ENGINEER.



NOTE: THIS DRAWING EMBODIES A CONFIDENTIAL PROPRIETY DESIGN ORIGINATED AND OWNED BY QUIKSERV CORP., AND IS SUBMITTED UNDER A CONFIDENTIAL RELATIONSHIP. ALL PATENT, MANUFACTURING, SALE RIGHTS REGARDING THE SAME ARE RESERVED EXCEPT TO THE EXTENT RIGHTS ARE EXPRESSLY GRANTED TO OTHERS. THE RECIPIENT AGREES BY ACCEPTING THESE DRAWINGS NOT TO SUPPLY OR DISCLOSE ANY INFORMATION REGARDING THEM TO ANY UNAUTHORIZED PERSON.

Job Name:

Actual Dimension:
9" (W) X 16" (L) X 6-3/4" (H)

Rough Opening:
N/A

Quikserv Corp.

P.O. Box 40466 1-800-388-8307
Houston TX 77240 www.quikserv.com

QSS-7S SHROUD INSTALLATION

Drawing Name:
QSS-7S INSTALLATION

Scale:
1:8

Date:
2/18/2013

Drawn By:
BC

Rev.