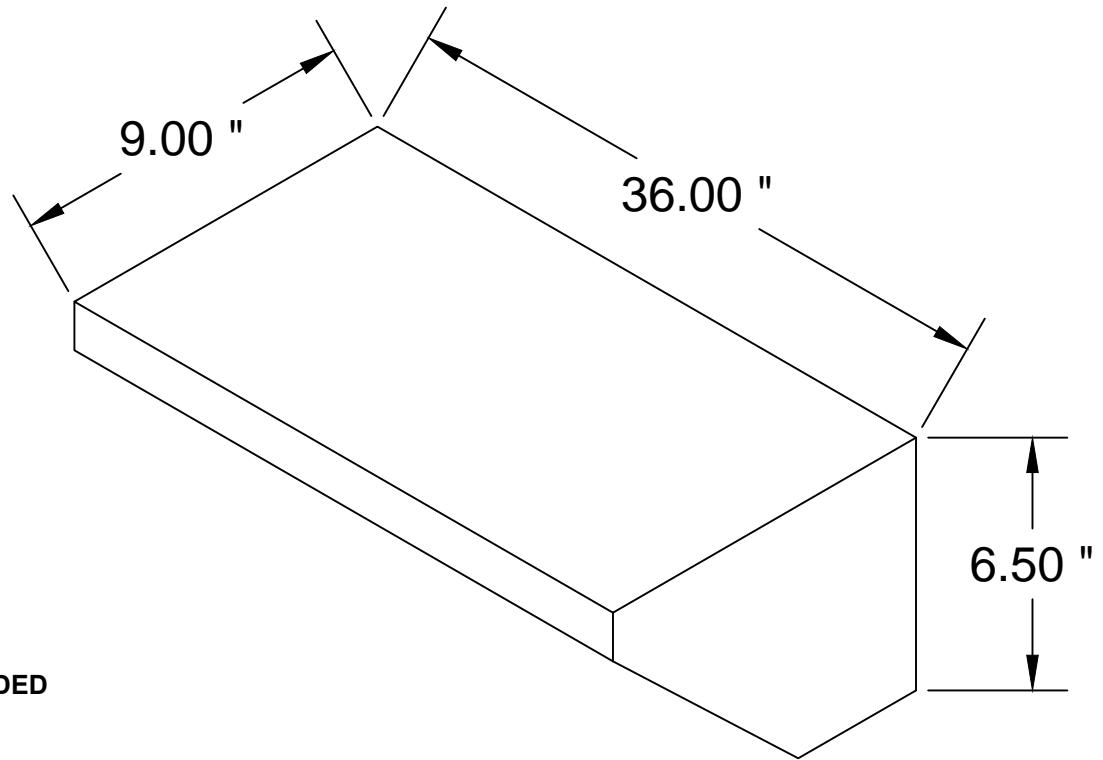


## TYPICAL QSS-36 SHELF INSTALLATION



- 1) QUIKSERV'S SHELVES MUST BE INSTALLED LEVEL AND SQUARE TO WORK PROPERLY.
- 2) ANCHOR SCREWS TO BE SUPPLIED BY OTHERS.
- 3) USE THE 4 PRE- DRILLED MOUNTING HOLES PROVIDED TO ANCHOR THE SHELF .
- 4) SILICONE ALL EXTERIOR AND INTERIOR JOINTS.
- 5) ALL OTHER TYPE OF ANCHORING TO BE APPROVED BY CERTIFIED ENGINEER.

NOTE: THIS DRAWING EMBODIES A CONFIDENTIAL PROPRIETY DESIGN ORIGINATED AND OWNED BY QUIKSERV CORP., AND IS SUBMITTED UNDER A CONFIDENTIAL RELATIONSHIP. ALL PATENT, MANUFACTURING, SALE RIGHTS REGARDING THE SAME ARE RESERVED EXCEPT TO THE EXTENT RIGHTS ARE EXPRESSLY GRANTED TO OTHERS. THE RECIPIENT AGREES BY ACCEPTING THESE DRAWINGS NOT TO SUPPLY OR DISCLOSE ANY INFORMATION REGARDING THEM TO ANY UNAUTHORIZED PERSON.

Job Name:

Actual Dimension:  
9" (W) X 36" (L) X 6-1/2" (H)

Rough Opening:  
N/A

**Quikserv Corp.**

P.O. Box 40466      1-800-388-8307  
Houston TX 77240      www.quikserv.com

## QSS-36 SHELF INSTALLATION

Drawing Name:  
QSS-36 INSTALLATION

Scale:  
N:A

Date:  
1/11/2013

Drawn By:  
BC

Rev.