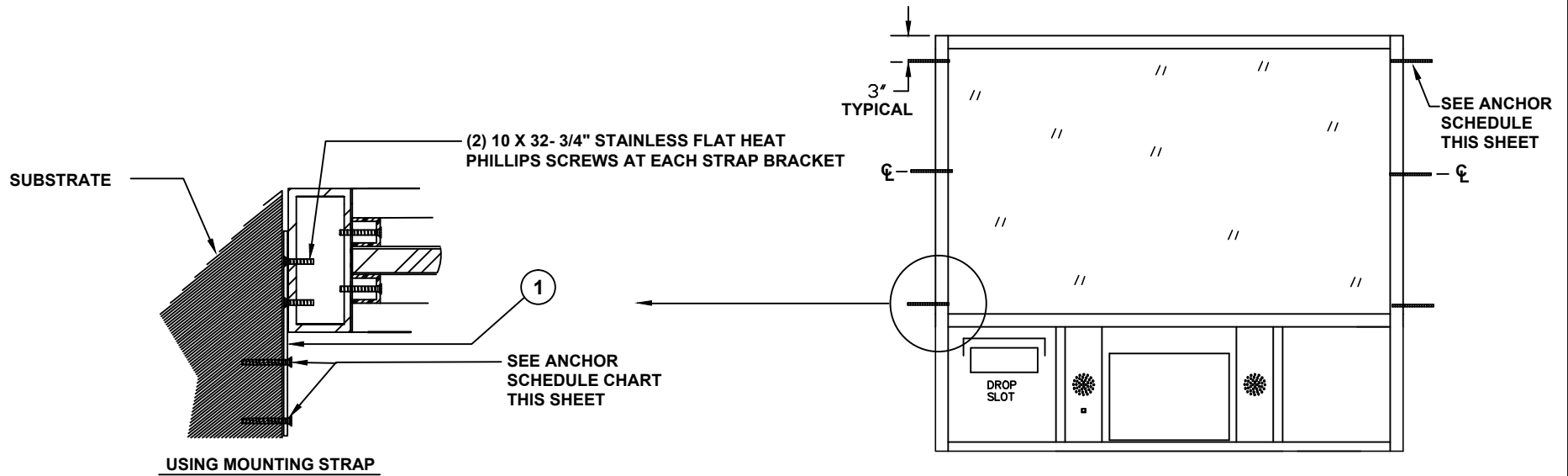


QUIKSERV QSP-713S PHARMACY (PCJ-130) INSTALLATION ANCHOR SCHEDULE



ANCHOR SCHEDULE		
SUBSTRATE	ANCHOR	MINIUM PENETRATION INTO SUBSTRATE
STEEL (16 GA. MIN.)	1/4" SHEET METAL SCREWS	MIN. PROTRUSION OF 3 THREADS BEYOND FULL ENGAGEMENT
CONCRETE	1/4" DIAMETER CONCRETE SCREW	1.25" INTO CONCRETE
WOOD BUCK	# 14 WOOD SCREW	1.50" INTO WOOD (REQUIRES DOUBLE 2X BUCK)

QUIKSERV CORP. 11441 Brittmoore Park Dr. Houston TX. 77041		ANCHOR SCHEDULE Aluminum Commercial Pass-Thru Window		
DRAWING DATE: 01-25-2010	SIZE	FSCM NO.	DWG. NO. PCJ-130	REV 1
DRAWN BY: BRIAN C.	NO SCALE	SHEET: 1 of 1		