

## General Notes

**Actual Dimension**

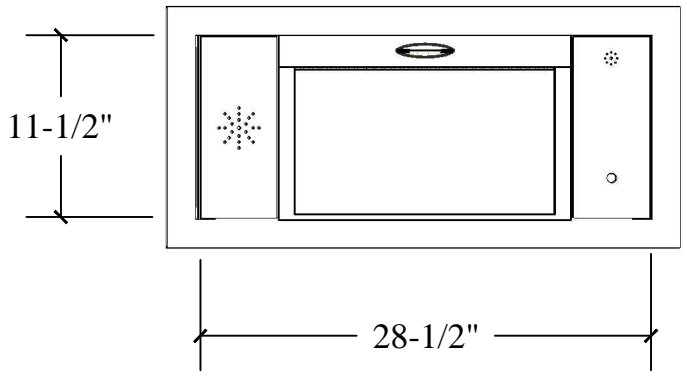
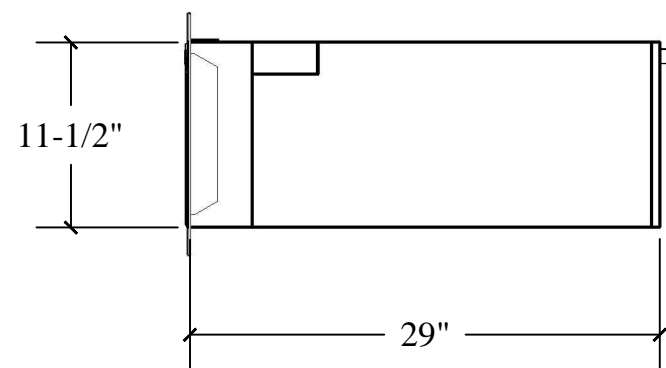
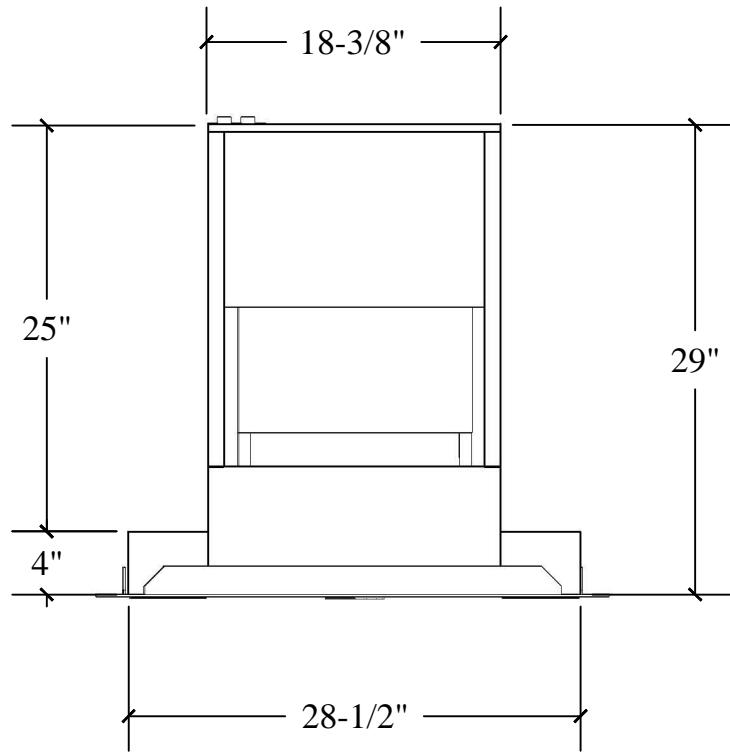
28-1/2"(W) x 11-1/2"(H)

**Transfer Area**

13"(W) x 6-1/2"(H) x 19"(D)

**Rough Opening**

28-7/8"(W) x 11-7/8"(H)



**QUIKSERV**  
 11441 BRITTMOORE PARK DR.  
 HOUSTON, TX., 77041

TITLE: **TRANSACTION DRAWER**

Drawing Name: **QSP-713S THREE SIDE VIEW**

DATE 7/13/2016	DRAWN BY RBV	SCALE 1:12	SHEET 2 of 4	SIZE <b>A</b>
-------------------	-----------------	---------------	-----------------	------------------

NOTE: THIS DRAWING EMBODIES A CONFIDENTIAL PROPRIETY DESIGN ORIGINATED AND OWNED BY QUIKSERV CORP., AND IS SUBMITTED UNDER A CONFIDENTIAL RELATIONS ALL PATENT, MANUFACTURING, SALE RIGHTS REGARDING THE SAME ARE RESERVED EXCEPT TO THE EXTENT RIGHTS ARE EXPRESSLY GRANTED TO OTHERS. THE RECIPIENT AGREES BY ACCEPTING HIP. THESE DRAWINGS NOT TO SUPPLY OR DISCLOSE ANY INFORMATION REGARDING THEM TO ANY UNAUTHORIZED PERSON.