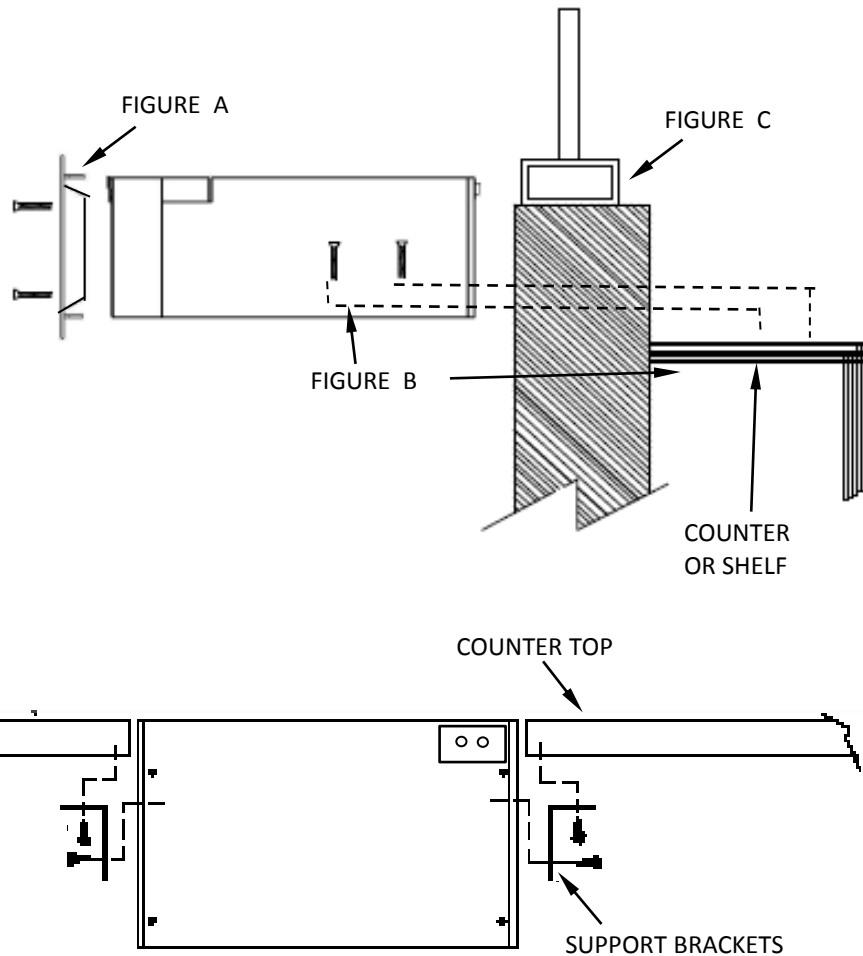


### STEPS & PROCEDURE

- Slide the drawer through rough opening from interior side to the exterior.
- Attach the flange to outside of the drawer using the 4 screws supplied to the pre-tapped holes on the side of the drawer. (See FIG. A)
- Slide drawer flush with exterior wall.
- Anchor bottom of the drawer to counter top or shelf. (See FIG. B)
- If mounting into cabinetry or flush with the counter, use the 2 support brackets supplied. Do not drill through interior drawer wall. Use no larger than 1/2" screws.
- The maximum mullion width (depth) above the drawer to be no more than 8" for maximum transfer area. (See FIG. C)



### General Notes

**Actual Dimension**  
28-1/2"(W) x 11-1/2"(H)

**Transfer Area**  
13"(W) x 6-1/2"(H) x 19"(D)

**Rough Opening**  
28-7/8"(W) x 11-7/8"(H)

#### TYPICAL QSP-713ES INSTALLATION

- Quikserv drawer must be installed level and square to work properly.
- Anchor screws to be supplied by contractor.
- Silicone all external and internal joints.
- All other type of anchoring to be approved by certified engineer.

**QUIKSERV**  
11441 BRITTMOORE PARK DR.  
HOUSTON, TX., 77041

TITLE: QSP-713ES TRANSACTION DRAWER

Drawing Name: QSP-713ES INSTALLATION DRAWING

DATE	DRAWN BY	SCALE	SHEET	SIZE
7/13/2016	RBV	NTS	4 of 4	A

NOTE: THIS DRAWING EMBODIES A CONFIDENTIAL PROPRIETY DESIGN ORIGINATED AND OWNED BY QUIKSERV CORP., AND IS SUBMITTED UNDER A CONFIDENTIAL RELATIONS ALL PATENT, MANUFACTURING, SALE RIGHTS REGARDING THE SAME ARE RESERVED EXCEPT TO THE EXTENT RIGHTS ARE EXPRESSLY GRANTED TO OTHERS. THE RECIPIENT AGREES BY ACCEPTING HIP. THESE DRAWINGS NOT TO SUPPLY OR DISCLOSE ANY INFORMATION REGARDING THEM TO ANY UNAUTHORIZED PERSON.