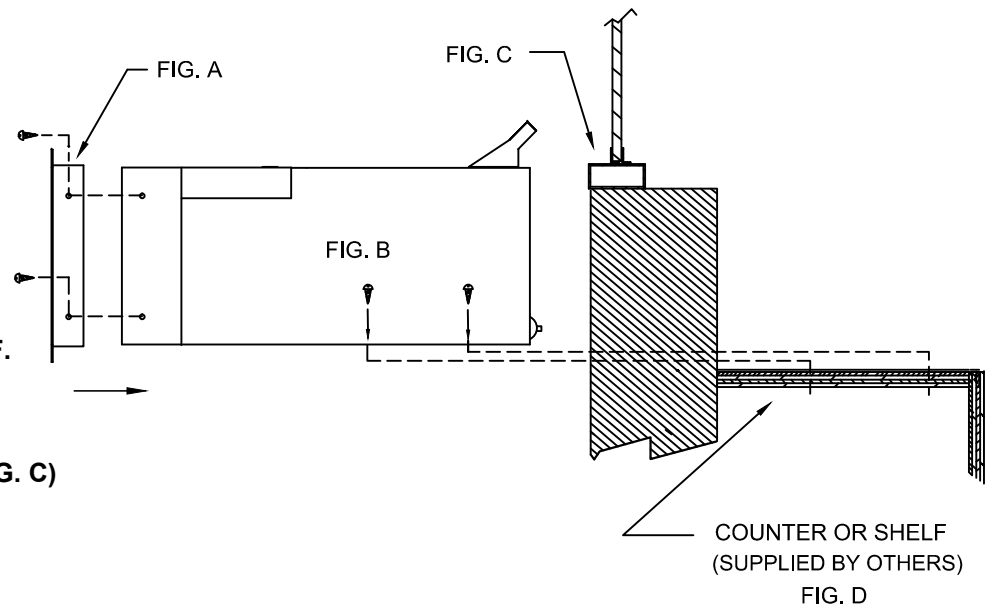


TYPICAL

QSP-713 & 713S INSTALLATION

- 1) QUIKSERV DRAWERS MUST BE INSTALLED LEVEL AND SQUARE TO WORK PROPERLY.
- 2) ANCHOR SCREWS TO BE SUPPLIED BY CONTRACTOR.
- 3) SLIDE DRAWER THROUGH ROUGH OPENING FROM THE INTERIOR SIDE TO THE EXTERIOR.
- 4) ATTACH FLANGE TO OUTSIDE OF DRAWER USING THE THE 4 SCREWS SUPPLIED TO THE PRE- TAPPED HOLES ON THE SIDE OF DRAWER. (SEE FIG. A)
- 5) SLIDE DRAWER FLUSH WITH EXTERIOR WALL.
- 6) ANCHOR BOTTOM OF DRAWER TO COUNTER TOP OR SHELF. (SEE FIG. B & D)
- 7) MAXIMUM MULLION WIDTH (DEPTH) ABOVE DRAWER TO BE NO MORE THAN 8" FOR MAXIMUM TRANSFER AREA. (SEE FIG. C)
- 8) BACK PANEL OF DRAWER MUST BE ACCESSIBLE TO SERVICE DRAWER.
- 9) SILICONE ALL EXTERIOR AND INTERIOR JOINTS.
- 10) ALL OTHER TYPE OF ANCHORING TO BE APPROVED BY CERTIFIED ENGINEER.



NOTE: THIS DRAWING EMBODIES A CONFIDENTIAL PROPRIETY DESIGN ORIGINATED AND OWNED BY QUIKSERV CORP., AND IS SUBMITTED UNDER A CONFIDENTIAL RELATIONSHIP. ALL PATENT, MANUFACTURING, SALE RIGHTS REGARDING THE SAME ARE RESERVED EXCEPT TO THE EXTENT RIGHTS ARE EXPRESSLY GRANTED TO OTHERS. THE RECIPIENT AGREES BY ACCEPTING THESE DRAWINGS NOT TO SUPPLY OR DISCLOSE ANY INFORMATION REGARDING THEM TO ANY UNAUTHORIZED PERSON.

Rough Opening: QSP-713S
28-7/8" (W) X 11-7/8" (H)

Rough Opening: QSP-713
18-3/4" (W) X 11-7/8" (H)

Actual Dimension: QST-713S
28-1/2" (W) X 11-1/2" (H)

Actual Dimension: QST-713
18-3/8" (W) X 11-1/2" (H)

Quikserv Corp.
1-800-388-8307
www.quikserv.com

QSP-713 & 713S Installation Drawing

Drawing Name:
QSP-713S Installation Drawing

Scale:
N/A

Date:
10/16/2014

Drawn By:
BC

Rev.