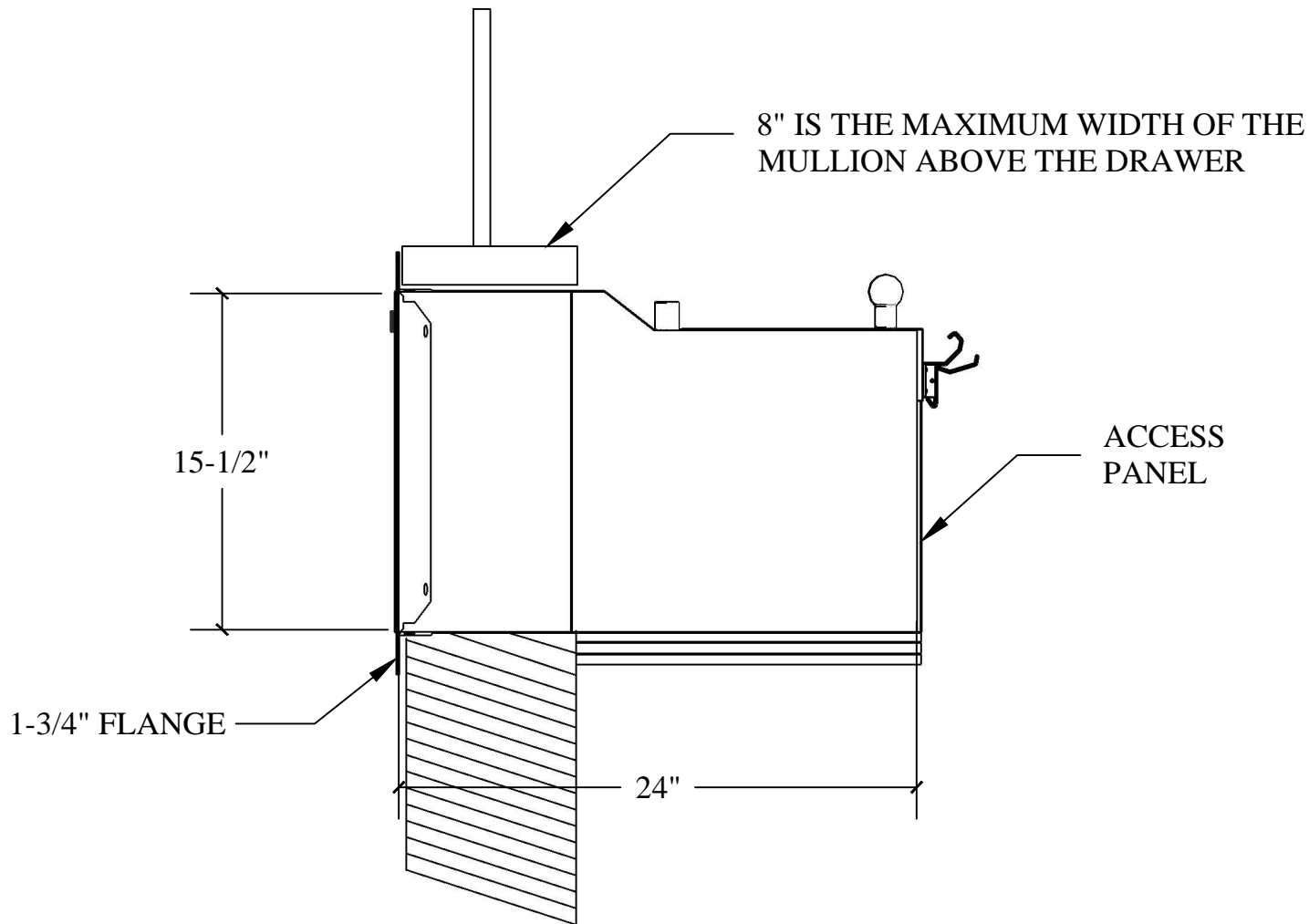


General Notes

Actual Dimension
28"(W) x 15-1/2"(H)

Transfer Area
13"(W) x 16"(H) x 21"(D)

Rough Opening
28-3/8"(W) x 15-7/8"(H)



QUIKSERV
11441 BRITTMOORE PARK DR.
HOUSTON, TX., 77041

TITLE:

QSB-12S TRANSACTION DRAWER

Drawing Name

QSB-12S SIDE VIEW

DATE

7/01/2016

DRAWN BY

RBV

SCALE

1:8

SHEET

4 of 4

SIZE

A

NOTE: THIS DRAWING EMBODIES A CONFIDENTIAL PROPRIETY DESIGN ORIGINATED AND OWNED BY QUIKSERV CORP., AND IS SUBMITTED UNDER A CONFIDENTIAL RELATIONS ALL PATENT, MANUFACTURING, SALE RIGHTS REGARDING THE SAME ARE RESERVED EXCEPT TO THE EXTENT RIGHTS ARE EXPRESSLY GRANTED TO OTHERS. THE RECIPIENT AGREES BY ACCEPTING HIP. THESE DRAWINGS NOT TO SUPPLY OR DISCLOSE ANY INFORMATION REGARDING THEM TO ANY UNAUTHORIZED PERSON.