

# WINDOW & AIR CURTAIN COMBINATION UNIT

## FULLY-AUTOMATIC AND MANUAL SELF-CLOSING



SST-4860E  
WITH HEATED AIR CURTAIN



THRU-BEAM PHOTO-ELECTRIC EYE-BAR

### STANDARD FEATURES

- Shipped fully-assembled and ready to install
- Warranty backed with Nationwide Service Centers
- 1/4" clear tempered safety glass
- Weather resistant and sealed to protect from the elements
- Dark bronze or clear anodized aluminum
- Corrosion resistant material: anodized aluminum and #304-#3 finish stainless steel
- Security locking systems
- Easy manual operation upon power failure for automatic windows
- Maximum security hook-bolt locks
- ETL Listed for automatic windows
- Right or left hand units

### OPTIONAL FEATURES

- Custom colors available
- Reduced service openings available for areas requiring 432 sq. inches
- Custom transoms and overall window sizes
- Various glazing options (B/R, Insulated, Tinted, etc)
- Electric auto locks for automatic windows
- Night-time security lock bar

### MODEL SST-4860E / IFT-4860E

SST-4860E / IFT-4860E - Speed of service is the key. Models SST-4860E and insulated glass model IFT-4860E offer exceptional speed and reliability. This unit is perfect for any application demanding hands-free speedy service.

This unit features a built in air curtain to meet certain health code requirements. We can also offer this unit with restricted openings for our California customers. The non-heated and heated air curtain is mounted on the interior side of the window.

Each Quikserv electric slider is top-hung with no bottom track. Each unit comes with an offset in the base preventing intrusion and providing rain protection. Operating sensors offered are the push button or the Thru-Beam Photo Electric Eye-Bar. Beam operation requires the attendant to stand between an emitter and a receiver eye to open and close the window.

**Service Opening:** 20-1/4"(w) x 29-1/2"(h)

### MODELS SCT-4860 & IFSCT-4860

These windows are manual opening, self closing sliders, with auto locking handles. You can also take advantage of the magnet hold open device: Slide the window to it's full open position and a magnet will hold it open. Once your customer leaves, tap the window and it will close and lock automatically.

**Service Opening:** 20-1/4"(w) x 29"(h)

### THRU-BEAM PHOTO ELECTRIC EYE-BAR

Activated when the attendant stands between the emitter and the receiver. Available on all automatic sliders and is best used where there is limited space or tighter working conditions.

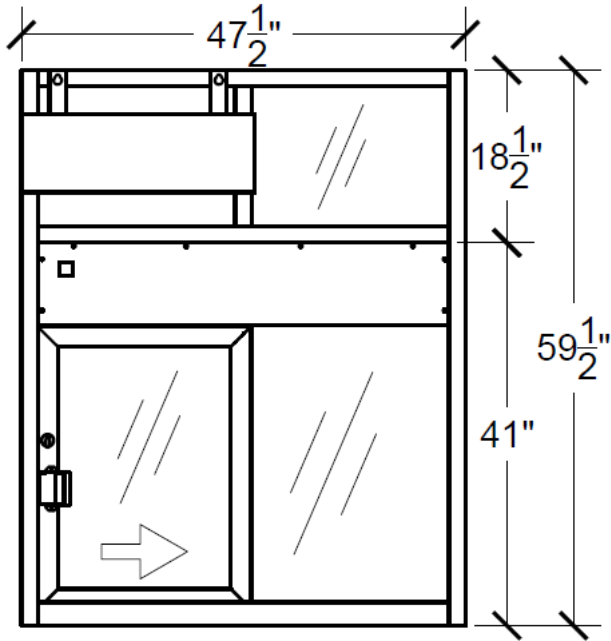


MODEL SST-4860E / IFT-4860E MANUAL OPERATION

ROUGH OPENING: 48"(w) x 60"(h)

SERVICE OPENING: 20-1/4"(w) x 29-1/2"(h)

MAIN VIEW

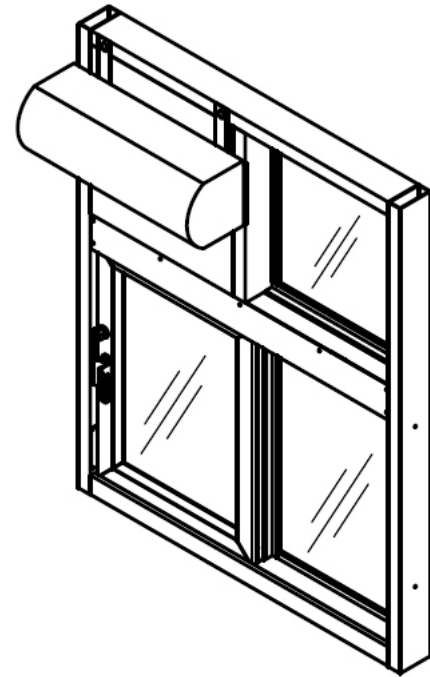


MODEL SCT-4860 / IFST-4860 AUTOMATIC OPERATION

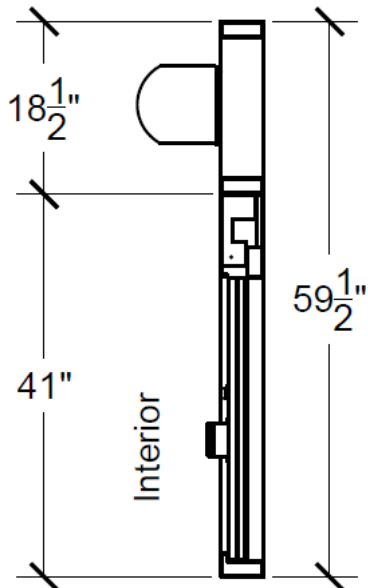
ROUGH OPENING: 48"(w) x 60"(h)

SERVICE OPENING: 20-1/4"(w) x 29"(h)

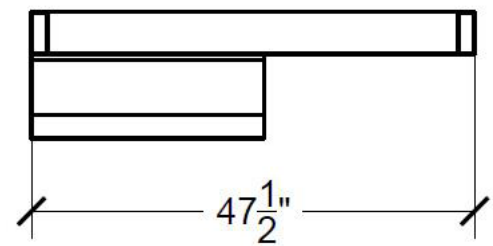
ISO VIEW



SIDE VIEW



TOP VIEW



SST-4860E: Power supply is pulled from bottom left-handed jamb hardware by others - 115v20 AMP dedicated circuit required

ALL QUIKSERV PRODUCTS ARE SHIPPED FULLY-ASSEMBLED and READY TO INSTALL. EACH ELECTRICAL UNIT IS SHIPPED WITH A FOUR FOOT (4') BX DROP.