

SEMI-AUTOMATIC WINDOWS

BI-FOLD DOORS



FM-1



PW2-16



PW5-16

STANDARD FEATURES

- Shipped fully-assembled & ready to install
- Warranty backed with Nationwide Service Centers
- Locking bar and slide-bolt locks
- 1/4" clear tempered safety glass
- Weather resistant & sealed to protect from the elements
- Dark bronze or clear anodized aluminum
- Corrosion resistant material:
Anodized aluminum and #304-#3 finish stainless steel
- Security locking systems

OPTIONAL FEATURES

- Custom colors available
- Reduced service openings for areas requiring 432 sq. inches
- Custom heights

MODEL FM-1

Model FM-1 provides the largest service opening in a flush-mount semi-automatic window. Operated by our patented push-bar mechanism, the bi-folding doors allow for a hands-free efficient means to serve your customers. A generous staging area is offered with the standard 14" (d) x 24" (w) interior stainless base.

Service Opening: 16"(w) x 32"(h)

MODEL PW1-16, PW2-16 & PW5-16

Offering a panoramic three-sided view, models PW1-16 and PW2-16 are projected from the exterior of the building highlighting the drive-thru lane. These models offer different size service openings; however, they all come standard with a 21" (d) x 27-3/4" (w) interior stainless base. Hands-free efficient service is offered with the use of the push-bar system. In addition, we offer a new model (PW5-16) that has full height service doors for maximum service opening on the model.

*Service Opening: PW1-16 20"(w) x 18-1/4"(h)
PW2-16 20"(w) x 24-1/4"(h)
PW5-16 20"(w) x 32"(h)*

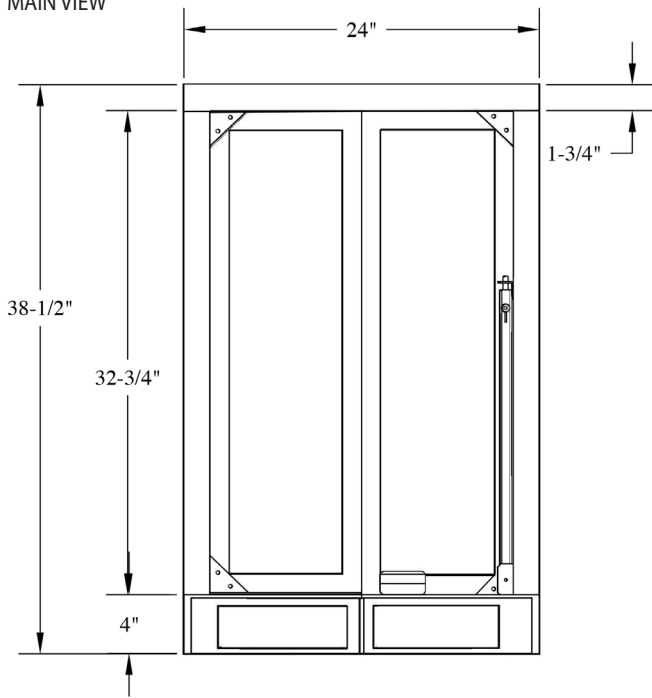


MODEL FM-1

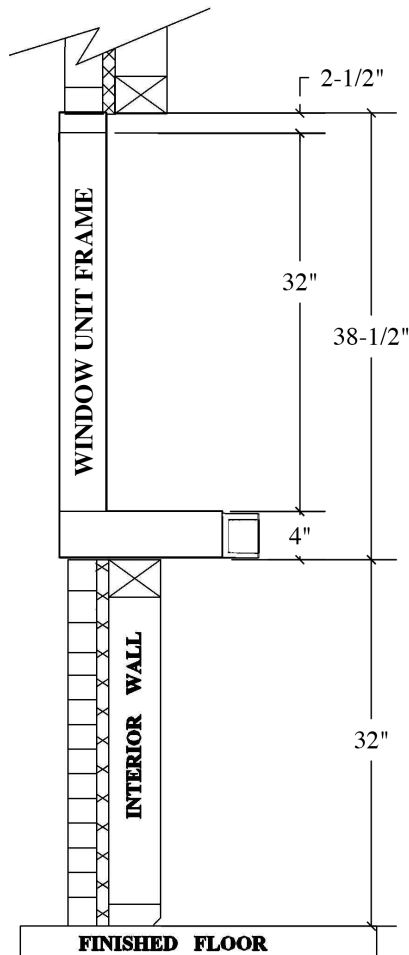
ROUGH OPENING: 24-3/8"(w) x 38-7/8"(h)

SERVICE OPENING: 16"(w) x 32"(h)

MAIN VIEW



SIDE VIEW



MODEL PW1-16, PW2-16 & PW5-16

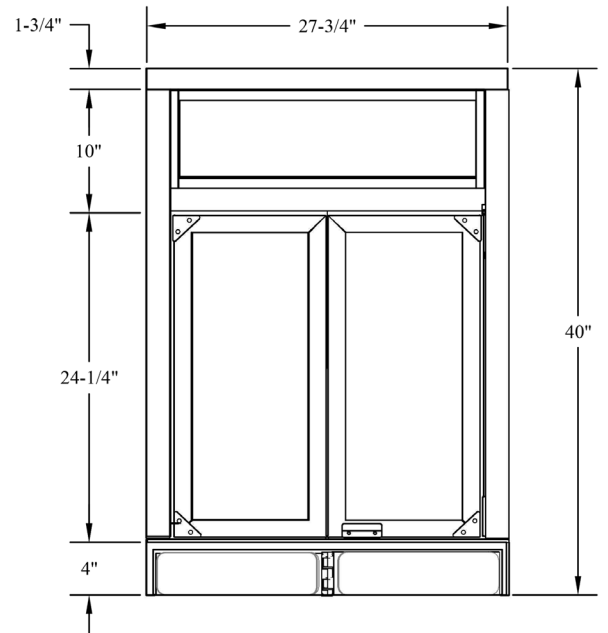
ROUGH OPENING: 28-1/8"(w) x 40-3/8"(h)

SERVICE OPENING: PW1-16 20"(w) x 18-1/4"(h)

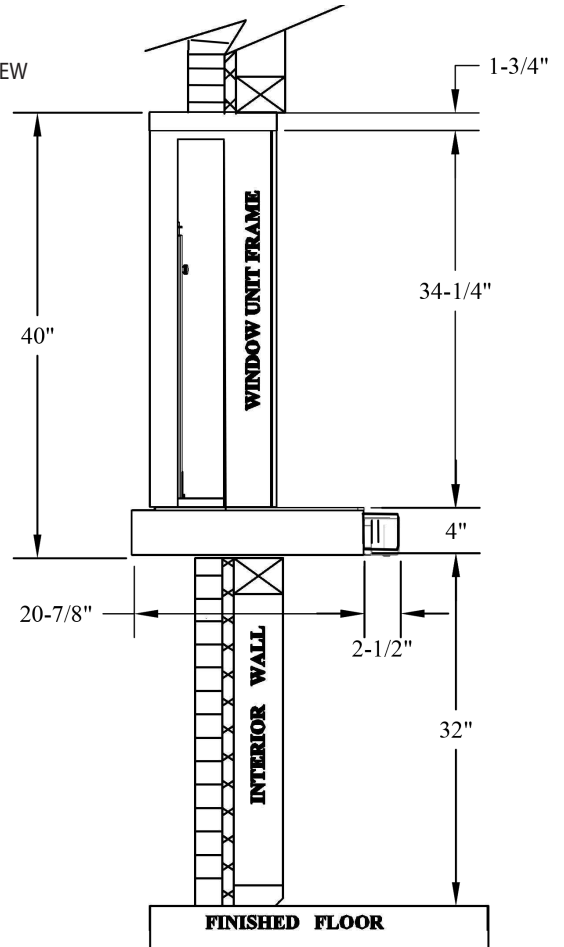
PW2-16 20"(w) x 24-1/4"(h)

PW5-16 20"(w) x 32"(h)

MAIN VIEW



SIDE VIEW



ALL QUIKSERV PRODUCTS ARE SHIPPED FULLY-ASSEMBLED and READY TO INSTALL. EACH ELECTRICAL UNIT IS SHIPPED WITH A FOUR FOOT (4') BX DROP.