

SECURITY PIZZA DRAWER

BULLET RESISTANT & NON-BULLET RESISTANT

Window acts as a standard ticket window for exchange of currency in a secure manner.



STANDARD FEATURES

- Shipped fully-assembled and ready to install
- Warranty backed with Nationwide Service Centers
- Locking bar and slide-bolt locks
- 1/4" clear tempered safety glass
- Weather resistant and sealed to protect from the elements
- Dark bronze or clear anodized aluminum
- Corrosion resistant material: anodized aluminum and #304-#316 finish stainless steel
- Security locking systems
- Drawer is level 1 bullet resistant in closed position
- Serviceability - drawer can be serviced without removing the entire unit
- Stainless steel flip lid built into deal tray

OPTIONAL FEATURES

- Custom colors available
- Various glazing options (B/R, Insulated, Tinted, etc)
- Bullet resistant transoms and sidelites - Level 1, 2 or 3
- 1/4" tempered safety glass with or without speak-thru
- Amplified speak-thru

FEATURES

Quikserv has designed an easy to use, secure walk-up or drive-up pizza drawer. It is designed to pass out two 20" wide pizza boxes stacked two high plus 2 liters of soda. Money is exchanged through our standard deal tray built right into the base. Deal tray has a flip lid to keep unwanted weather elements out of your store.

STANDARD SIZES

- 24-1/4" (w) x 38 1/2" (h)
- 24-5/8" (w) x 38 7/8" (h) Rough Opening
- Drawer Transfer Area: 5" (h) x 20" (w) x 21" (d)
- Custom heights available

Customer receives items easily from the outside. Front door cannot be opened from the outside.



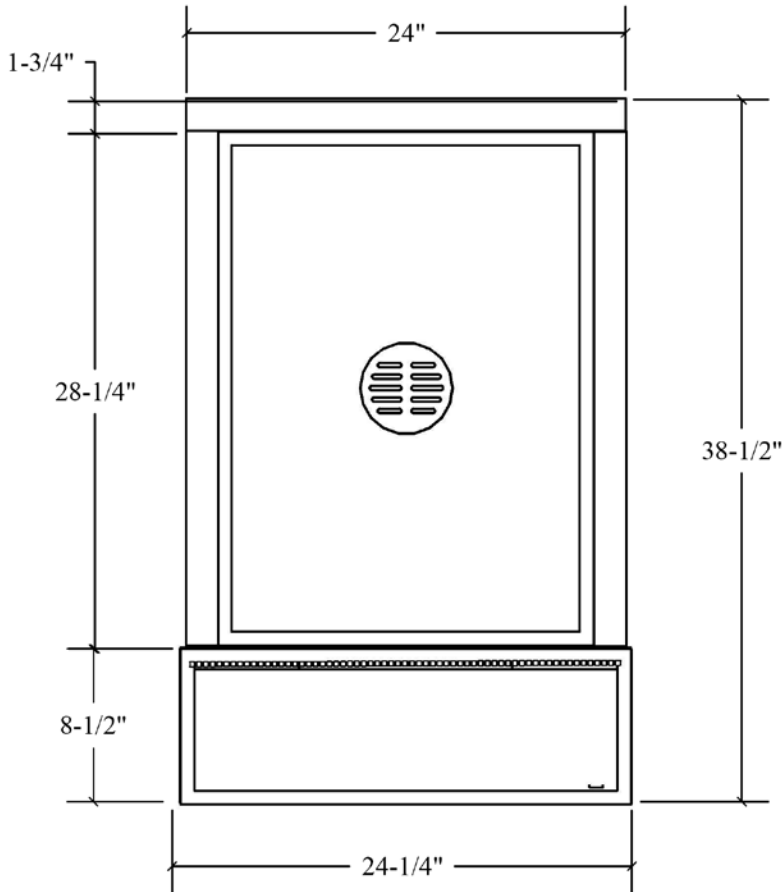
Employee is able to load pizza boxes and other items through rear door. Door has three locks for extra security.

QUIKSERV

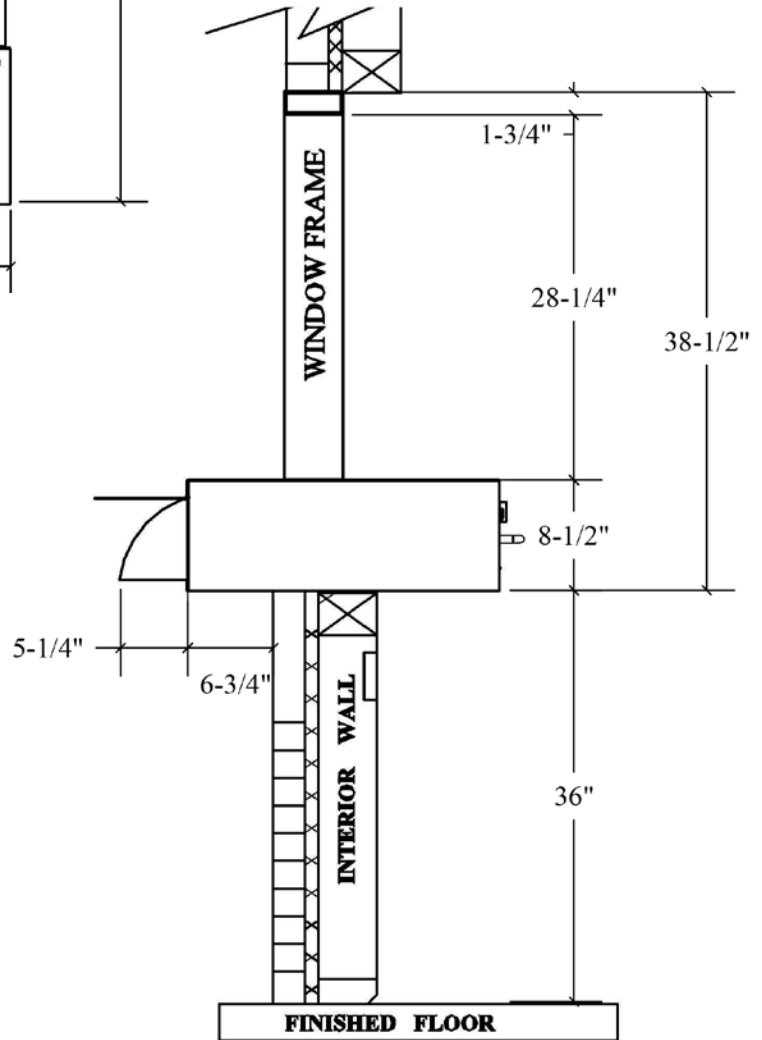
we put more in – you get more out

MAIN VIEW

ROUGH OPENING: 24-5/8" (w) X 38-7/8" (h)



SIDE VIEW



ALL QUIKSERV PRODUCTS ARE SHIPPED FULLY-ASSEMBLED and READY TO INSTALL. EACH ELECTRICAL UNIT IS SHIPPED WITH A FOUR FOOT (4') BX DROP.