

SELF-CLOSING WINDOWS

DOUBLE SLIDERS



SCDS-6056

STANDARD FEATURES

- Shipped fully-assembled and ready to install
- Warranty backed with Nationwide Service Centers
- 1/4" clear tempered safety glass
- Weather resistant and sealed to protect from the elements
- Dark bronze or clear anodized aluminum
- Corrosion resistant material: anodized aluminum and #304-#316 finish stainless steel
- Security locking systems
- Maximum security hook-bolt locks
- Automatically lock when unit is closed

OPTIONAL FEATURES

- Exterior screens
- Custom colors available
- Reduced service openings for areas requiring 432 sq. inches
- Custom transoms and overall window sizes
- Various glazing options (B/R, Insulated, Tinted, etc)
- Widths up to 120" available

MODEL SCDS-6056

Perfect for concession stands, these self-closing, horizontal sliders meet all health code requirements. These self-closing units are mounted flush to the exterior wall. By simply releasing the window after serving the customer, the door panel closes and locks automatically. With an offset in the base, and gliding on a top-hung ball bearing system, these sliders are the smoothest windows on the market. All IFSC Models are fully glazed with 5/8" insulated glass.

Service Opening: 12-1/2"(w) x 24"(h)

Service Opening varies depending on the size of unit ordered – Custom Sizes Welcome!

MAXIMUM SECURITY LOCKING SYSTEM



MAXIMUM SECURITY LOCKING SYSTEM

Each QuikServ sliding window offers a heavy duty maximum security lock. This hook bolt lock helps to prevent outside intrusion. An easy to grasp thumb-turn allows for ease in operation while locking the unit.

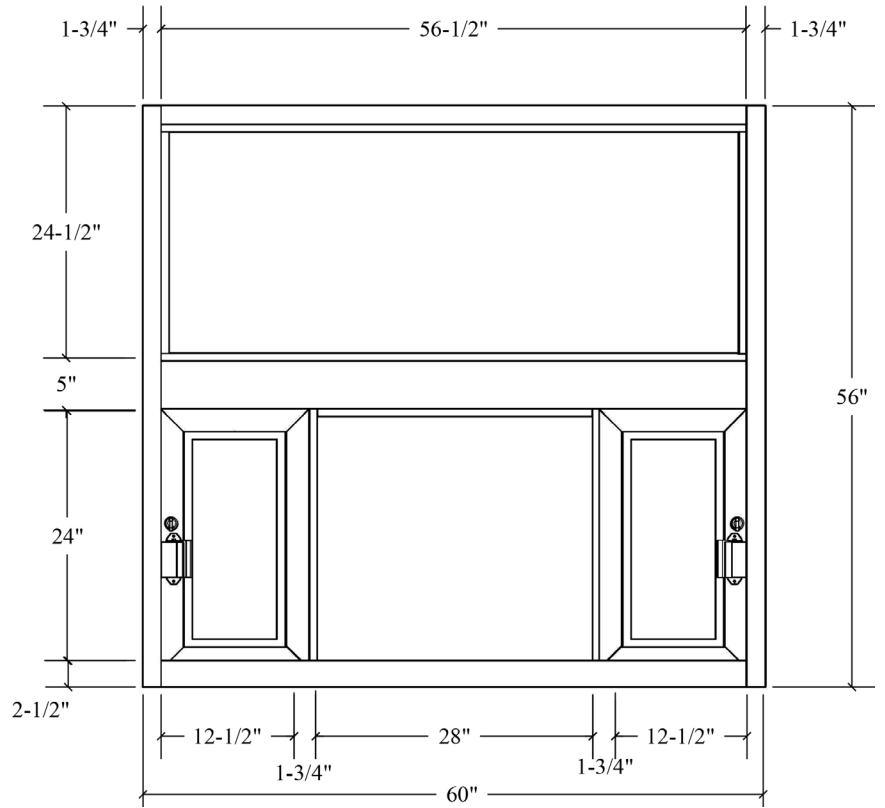


MODEL SCDS-6056

ROUGH OPENING: 60-1/2"(w) x 56-1/2"(h)

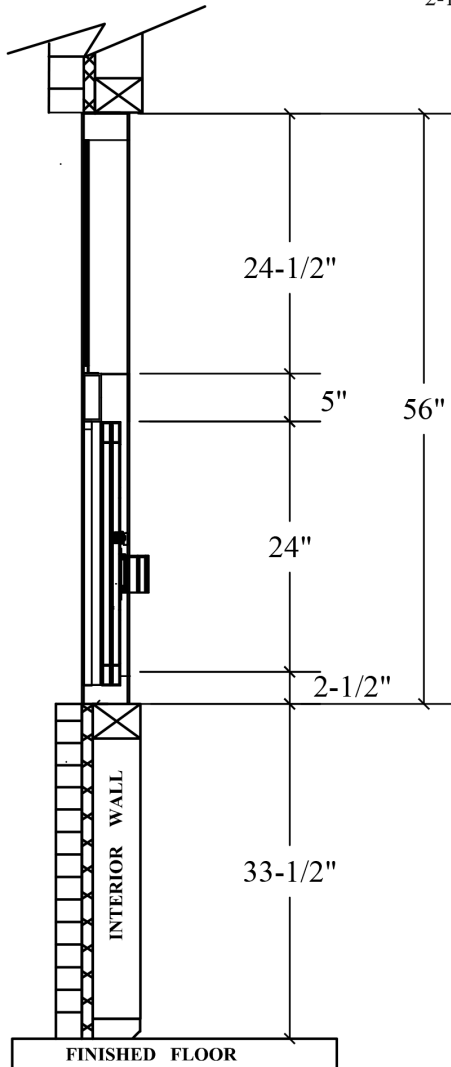
SERVICE OPENING: 12-1/2"(w) x 24"(h)

MAIN VIEW



CUSTOM SIZES WELCOME!

SIDE VIEW



ALL QUIKSERV PRODUCTS ARE SHIPPED FULLY-ASSEMBLED and READY TO INSTALL. EACH ELECTRICAL UNIT IS SHIPPED WITH A FOUR FOOT (4') BX DROP.