

# PHARMACY PACKAGES



PCJ-130



BRDW1-4855



QSP-713S MINI

## STANDARD FEATURES

- Shipped fully-assembled and ready to install
- Warranty backed with Nationwide Service Centers
- Weather resistant and sealed to protect from the elements
- Dark bronze or clear anodized aluminum
- Corrosion resistant material: anodized aluminum and #304-#3 finish stainless steel
- Security locking systems
- Maximum security hook-bolt locks
- Drawer is Level 1 bullet resistant in closed position
- Right or left hand units for BRDW units
- Serviceability - drawer can be serviced without removing the entire unit
- Transfer area automatically locks when in a closed position on manual drawer

## OPTIONAL FEATURES

- Custom colors available
- Custom transoms and overall window sizes
- Various glazing options (Insulated, Tinted, etc)
- Bullet resistant transoms and sidelites - Level 1, 2 or 3
- Call button and speakers
- Full intercom systems
- Electric drawer

Quikserv can make custom bullet resistant fixed frames in all sizes with Level 1, 2 and 3 B.R. glazing. These fixed frames work great in conjunction with any of our transaction drawers to fulfill all of your pharmacy requirements.

## MODEL PCJ-130

The Safeserv Pharmacy Combo is 60" wide by 53 1/2" tall unit that includes Level 1 or Level 3 bullet resistant hurricane impact glass, one of three pharmacy drawers and an optional night time drop slot. This combo unit can also include a single station intercom to complete this entire package. Each drawer is level 1 bullet resistant in the closed position so that your employees remain safe while they work the drive-thru area. Available as Miami-Dade County approved product with hurricane impact glass.

## MODEL BRDW1-4851 / BRDW1-4855

This combination unit offers daytime operation through either a self-closing manual slider or a bullet-resistant manual slider and night time operation through the transaction drawer. Standard glazing is 1/4" clear tempered safety glass; however, this unit may be ordered in Level 1 Bullet Resistant Glazing. The BRDW1-4851 includes the QSP-713S transaction drawer and the BRDW1-4855 comes with the QSB-125 transaction drawer.

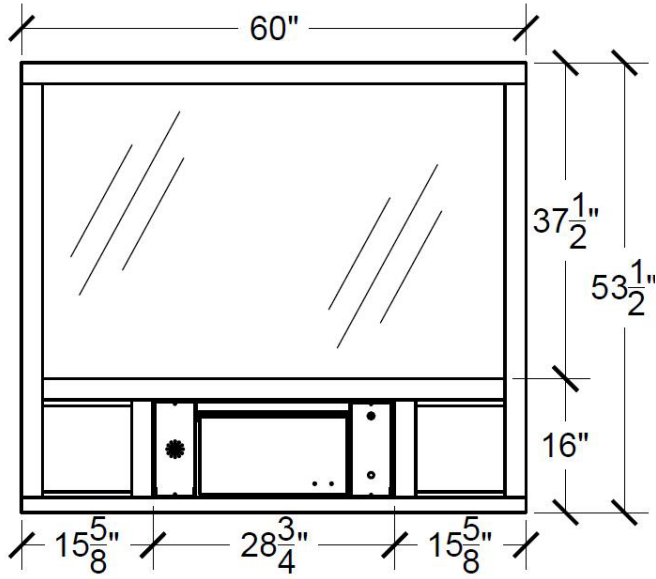
## MODEL QSP-713S MINI COMBO

This is a smaller version of the PCJ-130 to give customers a less expensive option for their drive-thru. Unit includes Level 1 or Level 3 bullet resistant or available as a Miami-Dade County approved product with hurricane impact glass.

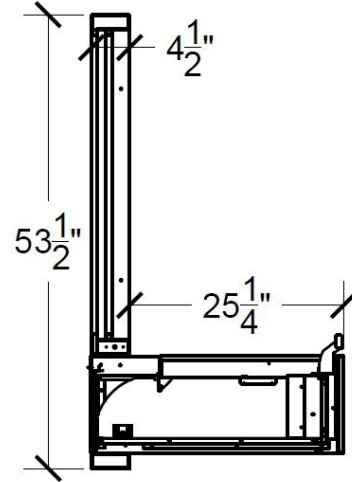


MODEL PCJ-130 / PCJ-130-IP  
 ROUGH OPENING: 60-1/2" (w) X 54"(h)

MAIN VIEW

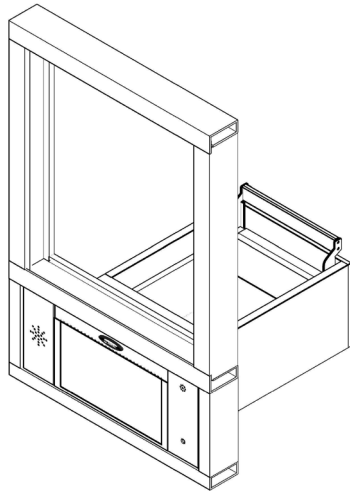


SIDE VIEW

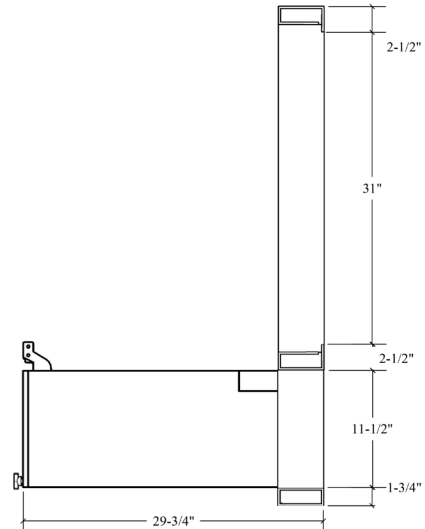


MODEL QSP-713S MINI / QSP-713S MINI IP  
 ROUGH OPENING: 32-1/4" (w) X 49-5/8" (h)

MAIN VIEW

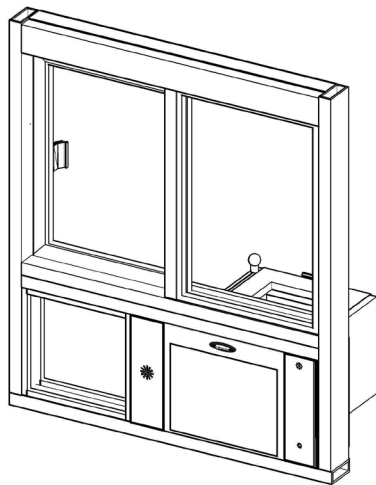


SIDE VIEW

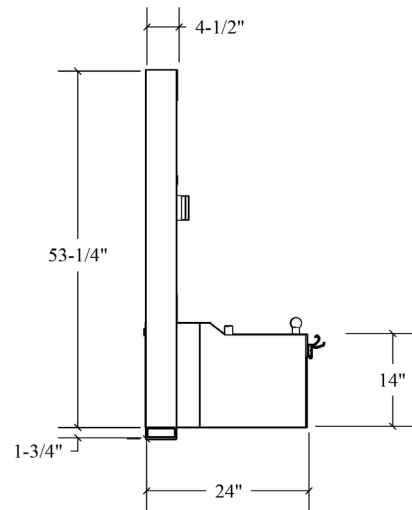


MODEL BRDW1-4855  
 ROUGH OPENING: 48-1/2" (w) x 55-1/2" (h)

MAIN VIEW



SIDE VIEW



ALL QUIKSERV PRODUCTS ARE SHIPPED FULLY-ASSEMBLED and READY TO INSTALL. EACH ELECTRICAL UNIT IS SHIPPED WITH A FOUR FOOT (4') BX DROP.