

MANUAL WINDOWS

BI-FOLD DOORS



PW3-16

STANDARD FEATURES

- Shipped fully-assembled & ready to install
- Warranty backed with Nationwide Service Centers
- Locking bar and slide-bolt locks
- 1/4" clear tempered safety glass
- Weather resistant & sealed to protect from the elements
- Dark bronze or clear anodized aluminum
- Corrosion resistant material:
Anodized aluminum and #304-#3 finish stainless steel
- Security locking systems

OPTIONAL FEATURES

- Custom colors available
- Reduced service openings for areas requiring 432 sq. inches
- Custom heights

MODEL PW3-16, PW4-16

Offering a panoramic three-sided view, these models are projected from the exterior of the building highlighting the drive-thru lane. These manually operated windows open and close with minimal effort.

Service Opening: PW3-16 20" (w) x 18-1/4" (h)

PW4-16 20" (w) x 24-1/4" (h)



CM-1

MODEL CM-1

Model CM-1 is mounted flush to the exterior wall and is operated manually. This unit provides a large service opening and both doors operate simultaneously when opening.

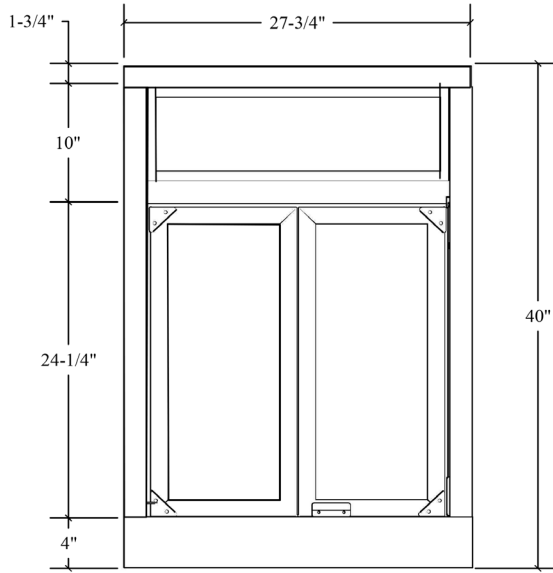


MODEL PW3-16 & PW4-16

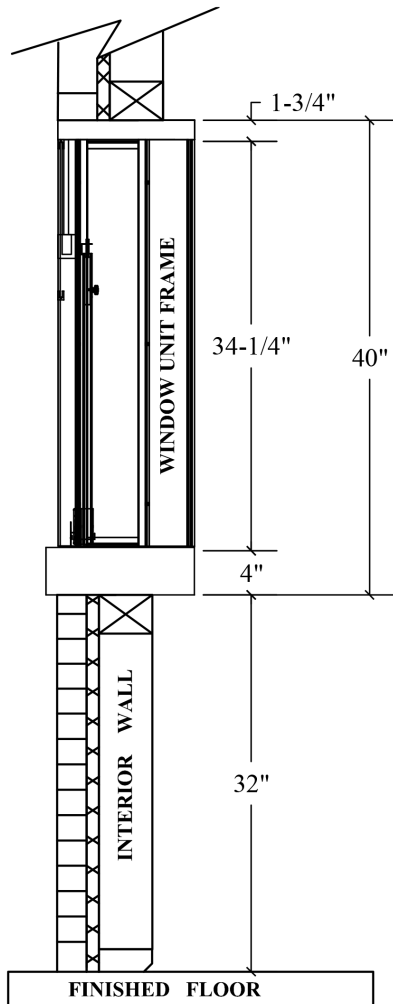
ROUGH OPENING: 28-1/8"(w) x 40-3/8"(h)

SERVICE OPENING: PW3-16 20"(w) x 18-1/4"(h)
 PW4-16 20"(w) x 24-1/4"(h)

MAIN VIEW



SIDE VIEW

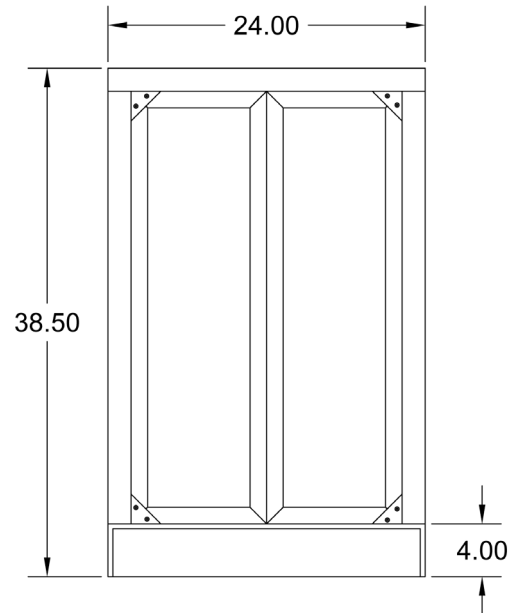


MODEL CM-1

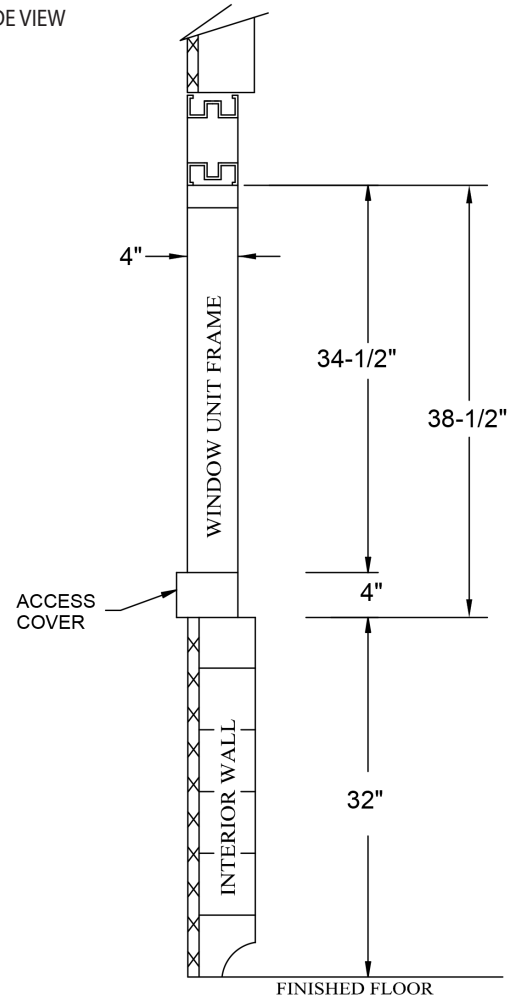
ROUGH OPENING: 24-3/8"(w) x 38-7/8"(h)

SERVICE OPENING: 16" (w) x 32" (h)

MAIN VIEW



SIDE VIEW



ALL QUIKSERV PRODUCTS ARE SHIPPED FULLY-ASSEMBLED and READY TO INSTALL. EACH ELECTRICAL UNIT IS SHIPPED WITH A FOUR FOOT (4') BX DROP.