

MANUAL SELF-CLOSING WINDOWS

BI-PARTING



MODEL BPSC-4236



MODEL BPSC-4836



MODEL BPSC-7241

STANDARD FEATURES

- Shipped fully-assembled and ready to install
- Warranty backed with nationwide service centers
- Weather resistant & sealed to protect from the elements
- Dark bronze or clear anodized aluminum
- Corrosion resistant material: anodized aluminum and #304-#3 finish stainless steel
- Security locking systems
- Maximum security hook-bolt locks
- Automatically lock when unit is closed
- BPSC-4236 & BPSC-4836: 1/4" clear tempered safety glass
- IF-BPSC-7241: 1" clear insulated glass units

OPTIONAL FEATURES

- Custom colors available
- Reduced service openings for areas requiring 432 sq. inches
- Custom transoms and overall window sizes
- Various glazing options (B/R, Insulated, Tinted, etc)

MODEL BPSC-4236

Similar to the BPSC-4836, this manual bi-parting, self-closing slider is a smaller version of the BPSC-4836 in that the width has been narrowed to 42". The height remains the same so that we can still offer a generous service opening of 14" (w) x 28 1/2" (h). This window is made for businesses that have much smaller work areas to contend with and allow the business versatility of not having to cut a larger hole to use a standard 48" wide window. This window also has a nice inside counter space for staging product.

Service Opening: 14"(w) x 28-1/2"(h)

Counter Space: 42"(w) x 5"(d)

MODEL BPSC-4836

This manual bi-parting, self-closing slider provides a service opening for the largest of products. Doors open manually from the middle eliminating the need to order right or left handed models. The unit locks automatically when closed and passes all health code requirements.

Service Opening: 16-1/4"(w) x 28-5/8"(h)

MODEL IF-BPSC-7241

This window provides the largest service opening of all our windows. Doors open manually from the middle eliminating the need to order right or left handed models. The unit locks automatically when closed and passes all health code requirements.

Service Opening: 29-1/2"(w) x 36-1/2"(h)

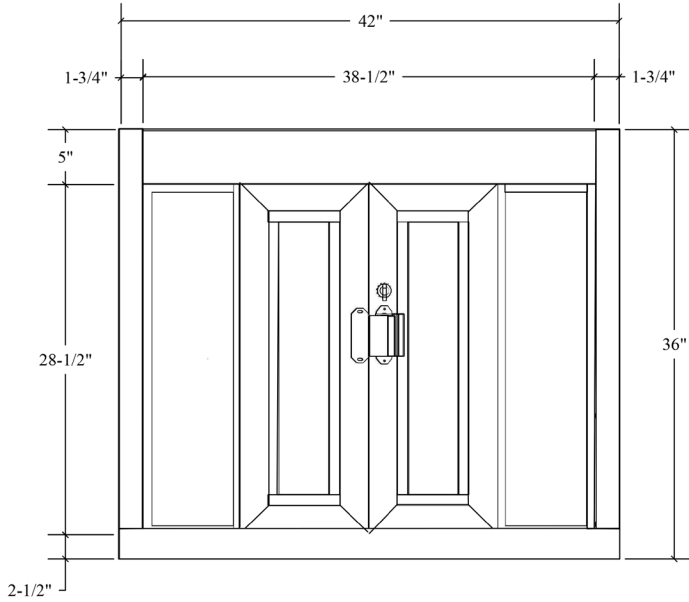


MODEL BPSC-4236

ROUGH OPENING: 42-3/8"(w) x 36-3/8"(h)

SERVICE OPENING: 14"(w) x 28-1/2"(h)

MAIN VIEW

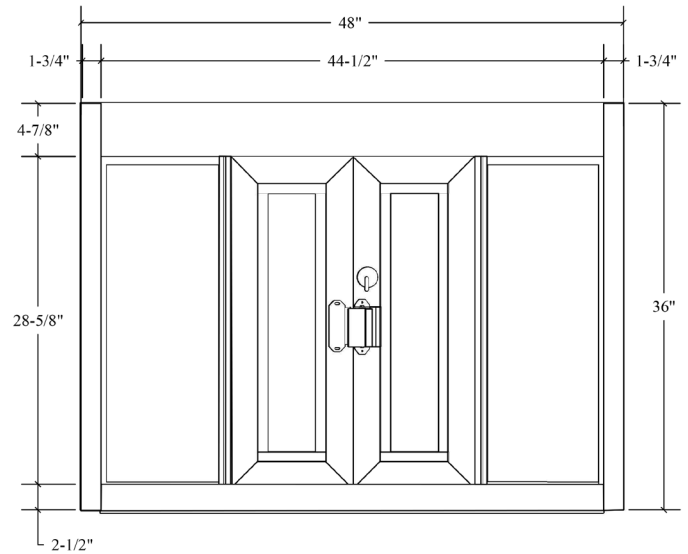


MODEL BPSC-4836

ROUGH OPENING: 48-3/8"(w) x 36-3/8"(h)

SERVICE OPENING: 16-1/4"(w) x 28-5/8"(h)

MAIN VIEW

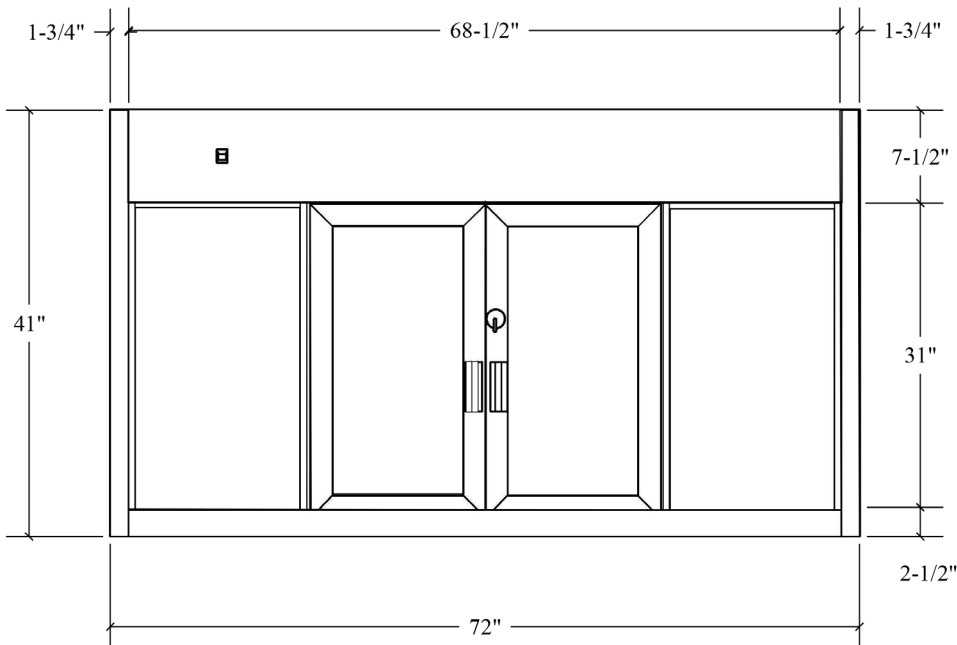


MODEL IF-BPSC-7241

ROUGH OPENING: 72-3/8"(w) x 41-3/8"(h)

SERVICE OPENING: 29-1/2"(w) x 36-1/2"(h)

MAIN VIEW



ALL QUIKSERV PRODUCTS ARE SHIPPED FULLY-ASSEMBLED and READY TO INSTALL. EACH ELECTRICAL UNIT IS SHIPPED WITH A FOUR FOOT (4') BX DROP.