

# HURRICANE IMPACT WINDOWS

## MANUAL, SELF-CLOSING & FULLY AUTOMATIC

MIAMI-DADE COUNTY  
APPROVED

NOA# 17-0731.03  
FBC# FL-23327



SC-4030-IP

### MAXIMUM SECURITY LOCKING SYSTEM



THRU-BEAM PHOTO-ELECTRIC EYE-BAR

### STANDARD FEATURES

- 3/4" insulated storm glass
- Shipped fully-assembled and ready to install
- Warranty backed with Nationwide Service Centers
- Weather resistant and sealed to protect from the elements
- Dark bronze or clear anodized aluminum
- Corrosion resistant material: anodized aluminum and #304-#3 finish stainless steel
- Security locking systems
- Maximum security hook-bolt locks
- Dade County Approved (NOA - #17-0731.03)
- State of Florida Approval (#FL-23327)
- Automatically lock when unit is closed (SC-models)
- Right or left hand units

### OPTIONAL FEATURES

- Custom colors available
- Various glazing options (B/R and Tinted)

### MODELS SS-4035E-IP, SC-4030-IP & SC-3030-IP

Quikserv is proud to produce the largest line of Hurricane Impact sliders on the market. These models are self-closing, top hung, single sliders. We make both manual opening and fully automatic versions. These units passed large and small impact testing, as well as water infiltration requirements. This series of single sliders has the same excellent quality you have come to expect from Quikserv sliding windows.

**Service Opening:** *SS-4035E-IP* 20"(w) x 27"(h)  
*SC-4030-IP* 20"(w) x 27"(h)  
*SC-3030-IP* 14-1/2"(w) x 27"(h)

### MAXIMUM SECURITY LOCKING SYSTEM

Each Quikserv single-sliding window offers a heavy duty maximum security lock. This hook bolt lock helps to prevent outside intrusion. An easy to grasp thumb-turn allows for ease in operation while locking the unit.

### THRU-BEAM PHOTO ELECTRIC EYE-BAR

Activated when the attendant stands between the emitter and the receiver. Available on all electric sliders and is best used where there is limited space or tighter working conditions.



**MODEL SC-4030-IP**

ROUGH OPENING: 48-3/8"(w) x 36-3/8"(h)

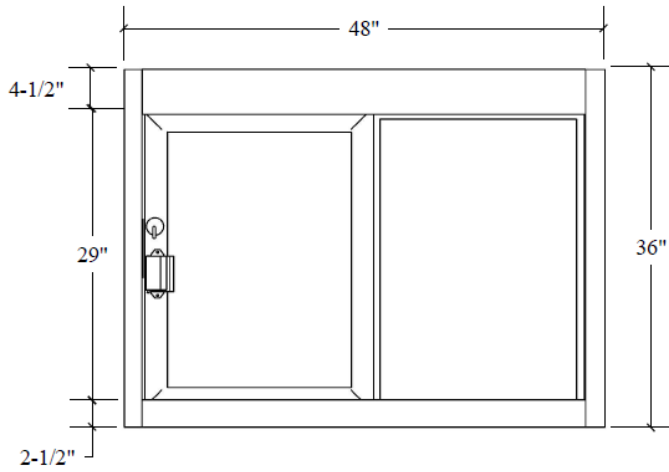
SERVICE OPENING: 20" (w) x 27" (h)

**MODEL SC-3030-IP**

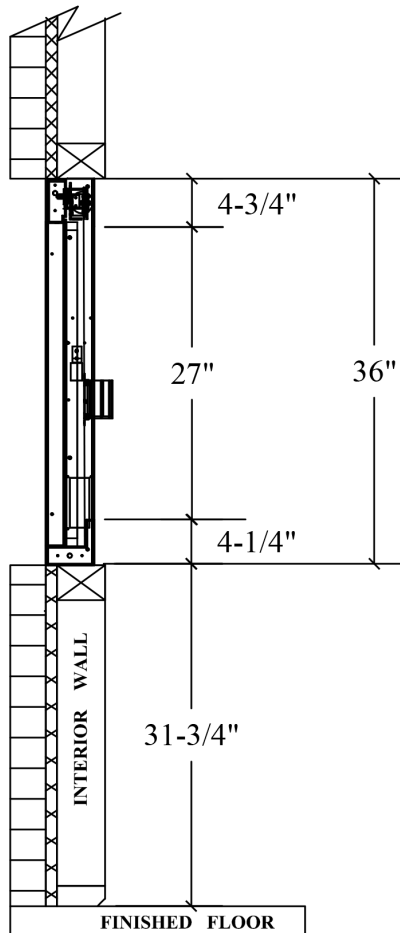
ROUGH OPENING: 36-3/8"(w) x 36-3/8"(h)

SERVICE OPENING: 14-1/2" (w) X 27" (h)

**MAIN VIEW**



**SIDE VIEW**

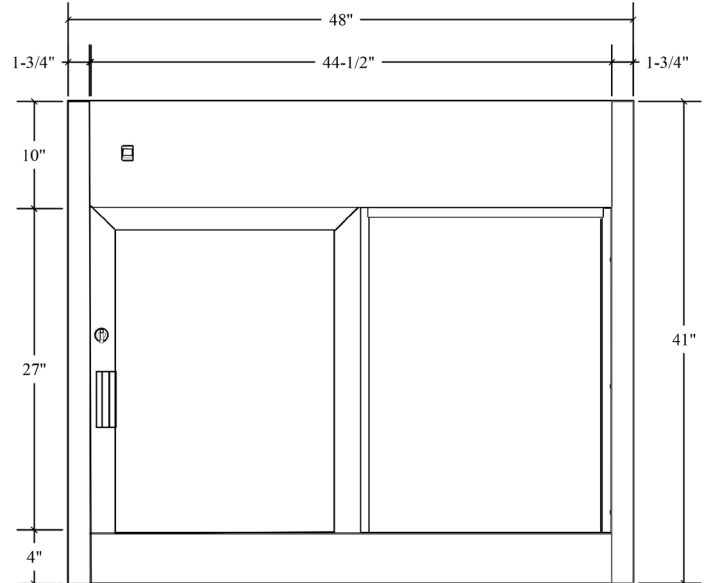


**MODEL SS-4035E-IP**

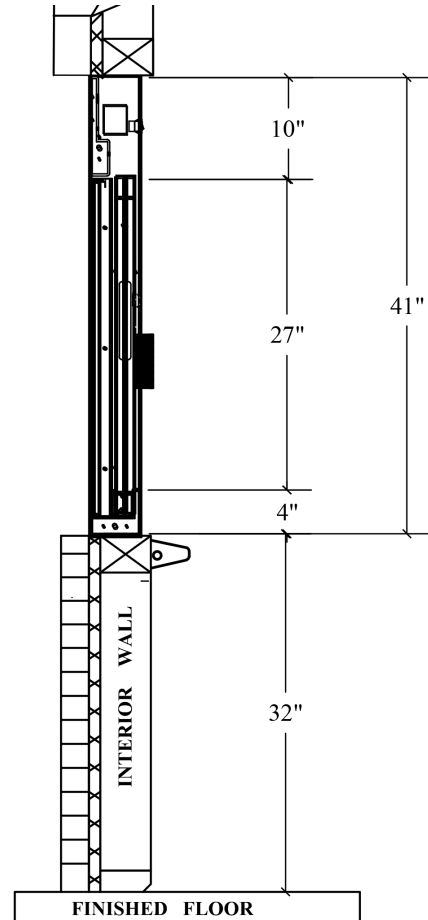
ROUGH OPENING: 48-3/8"(w) x 41-3/8"(h)

SERVICE OPENING: 20" (w) X 27" (h)

**MAIN VIEW**



**SIDE VIEW**



ALL QUIKSERV PRODUCTS ARE SHIPPED FULLY-ASSEMBLED and READY TO INSTALL. EACH ELECTRICAL UNIT IS SHIPPED WITH A FOUR FOOT (4') BX DROP.