

FULLY-AUTOMATIC WINDOWS

BI-PARTING



FM-54E



PW-54E

Models FM-54E and PW-54E ignite the industry with speed of service. Both units are top-hung and have two bi-parting doors that simultaneously open allowing you to serve your customers more efficiently. Activation of the unit is made complete through the use of the Thru-Beam Photo-Electric Eye-Bar.

STANDARD FEATURES

- Shipped fully-assembled and ready to install
- Warranty backed with Nationwide Service Centers
- 1/4" clear tempered safety glass
- Weather resistant and sealed to protect from the elements
- Dark bronze or clear anodized aluminum
- Corrosion resistant material: Anodized aluminum and #304-#3 finish stainless steel
- Security locking systems
- Easy manual operation upon power failure
- Maximum security hook-bolt locks
- ETL Listed
- Thru beam sensor

OPTIONAL FEATURES

- Custom colors available
- Reduced service openings for areas requiring 432 sq. inches
- Custom transoms and overall window sizes
- Various glazing options (B/R, Insulated, Tinted, etc)
- Electric Auto Locks
- Push button operation

MODEL FM-54E

Flush-mount model FM-54E offers a large staging area for your product and transactions. As with all Quikserv sliders, this unit has an offset in the base preventing outside intrusion. Productivity is bound to increase when using an electric bi-parting slider.

Service Opening: 18-1/2"(w) x 26-5/8"(h)

Counter Space: 53-1/2"(w) x 8-3/8"(d)

MODEL PW-54E

This projected window provides a three-sided panoramic view with one of the largest counter spaces offered on a pass-thru window. An offset in the base along with a drip rail on the header provides security from outside intrusion and rain protection.

Service Opening: 18-1/4"(w) x 31-1/2"(h)

Counter Space: 53-1/2"(w) x 16"(d)

THRU-BEAM PHOTO-ELECTRIC EYE-BAR

Activated when the attendant stands between the emitter and receiver. Available on all electric sliders and is best used where there is limited space or tighter working conditions.

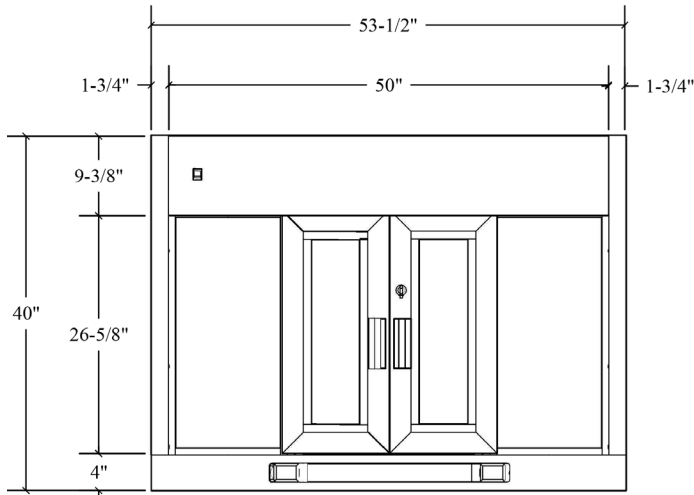


MODEL FM-54E

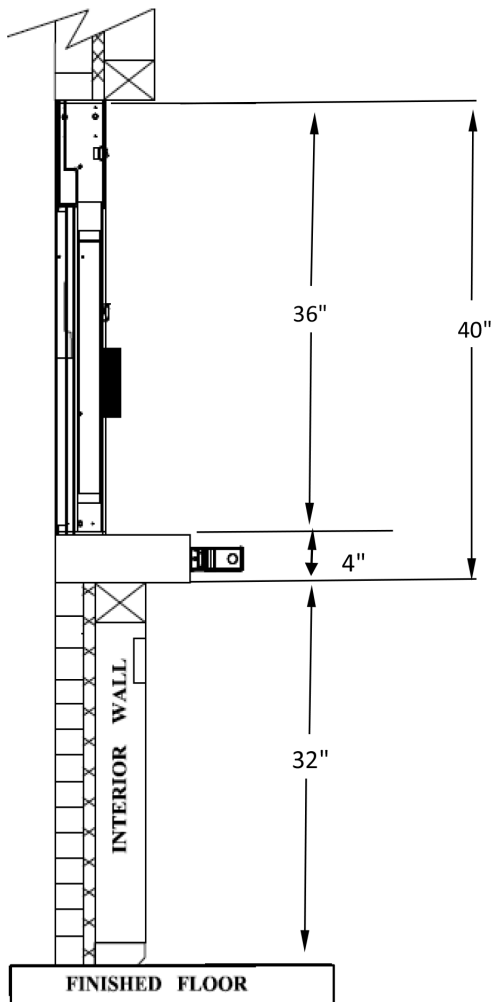
ROUGH OPENING: 54"(w) x 40-1/2"(h)

SERVICE OPENING: 18-1/2"(w) x 26-5/8"(h)

MAIN VIEW



SIDE VIEW

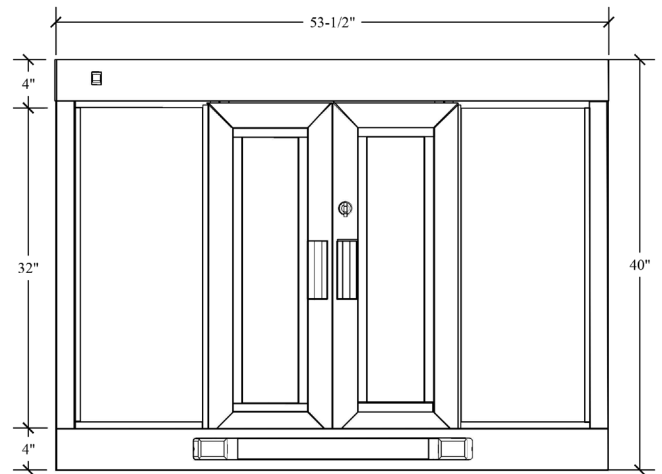


MODEL PW-54E

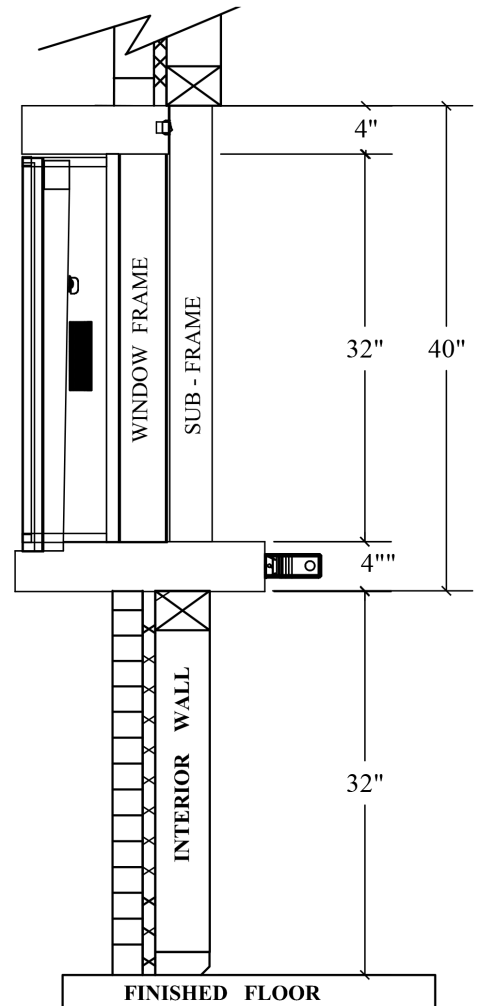
ROUGH OPENING: 54"(w) x 40-1/2"(h)

SERVICE OPENING: 18-1/4"(w) x 31-1/2"(h)

MAIN VIEW



SIDE VIEW



ALL QUIKSERV PRODUCTS ARE SHIPPED FULLY-ASSEMBLED and READY TO INSTALL. EACH ELECTRICAL UNIT IS SHIPPED WITH A FOUR FOOT (4') BX DROP.