

FULLY-AUTOMATIC WINDOWS

BI-PARTING

MIAMI-DADE COUNTY
APPROVED

NOA # 17-0731.02
FBC # FL-23326



BP-7241E



PUSH-BUTTON



THRU-BEAM PHOTO-ELECTRIC EYE-BAR



BPSC-7241

STANDARD FEATURES

- Shipped fully-assembled and ready to install
- Warranty backed with Nationwide Service Centers
- 1/4" clear tempered safety glass
- Weather resistant and sealed to protect from the elements
- Dark bronze or clear anodized aluminum
- Corrosion resistant material: Anodized aluminum and #304-#3 finish stainless steel
- Security locking systems
- Easy manual operation upon power failure
- Maximum security hook-bolt locks
- ETL Listed
- Push button operation

OPTIONAL FEATURES

- Custom colors available
- Reduced service openings for areas requiring 432 sq. inches
- Custom transoms and overall window sizes
- Various glazing options (B/R, Insulated, Tinted, etc)
- Electric Auto Locks
- Thru-beam sensor

MODEL BP-7241E / BP-7236E / BPSC-7241

This 72" wide bi-parting electric slider has one of the largest service openings in the drive-thru arena. With a generous 29-1/2" (w) x 32" (h) opening, you can effectively operate with two workers in one window or pass large items such as dry cleaning, large pizza boxes, auto parts, etc. This window comes standard with a push button opening/closing device, however, our thru beam sensors can be used to operate this unit. We also make a manual, self-closing version of this window (Model #BPSC-7241) as well as a 36" tall unit (Model #BP-7236E).

Dimensions: **BP-7241E**

Service Opening: 29-1/2"(w) x 32"(h)

Rough Opening: 72-1/2"(w) x 41-1/2"(h)

BP-7236E

Service Opening: 29-1/2"(w) x 26-1/2"(h)

Rough Opening: 72-1/2"(w) x 36-1/2"(h)

BPSC-7241

Manual Open, Self Closing

Service Opening: 29-1/2"(w) x 36-1/2"(h)

Rough Opening: 72-1/2"(w) x 41-1/2"(h)

THRU-BEAM PHOTO-ELECTRIC EYE-BAR

Activated when the attendant stands between the emitter and receiver. Available on all electric sliders and is best used where there is limited space or tighter working conditions.



MODEL BP-7241E / 7241E IP

ROUGH OPENING: 72-1/2"(w) x 41-1/2"(h)

SERVICE OPENING: 29-1/2"(w) x 32"(h)

IMPACT VERSION

SERVICE OPENING: 27"(w) x 27"(h)

MODEL BP-7236E / 7236E IP

ROUGH OPENING: 72-1/2"(w) x 36-1/2"(h)

SERVICE OPENING: 29-1/2"(w) x 26-1/2"(h)

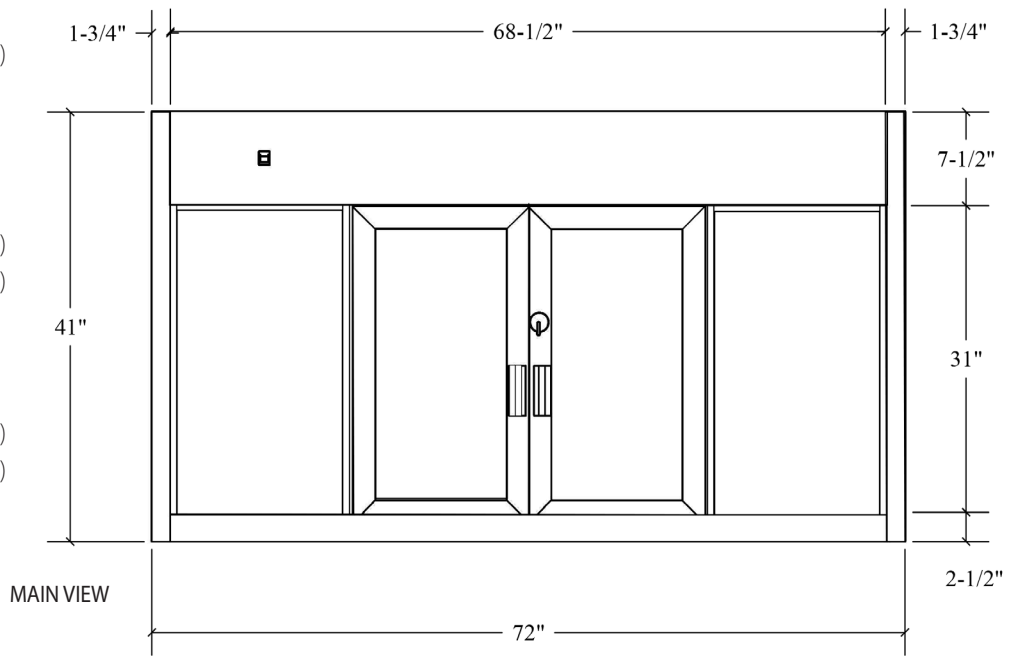
IMPACT VERSION

SERVICE OPENING: 27"(w) x 22"(h)

MODEL BPSC-7241

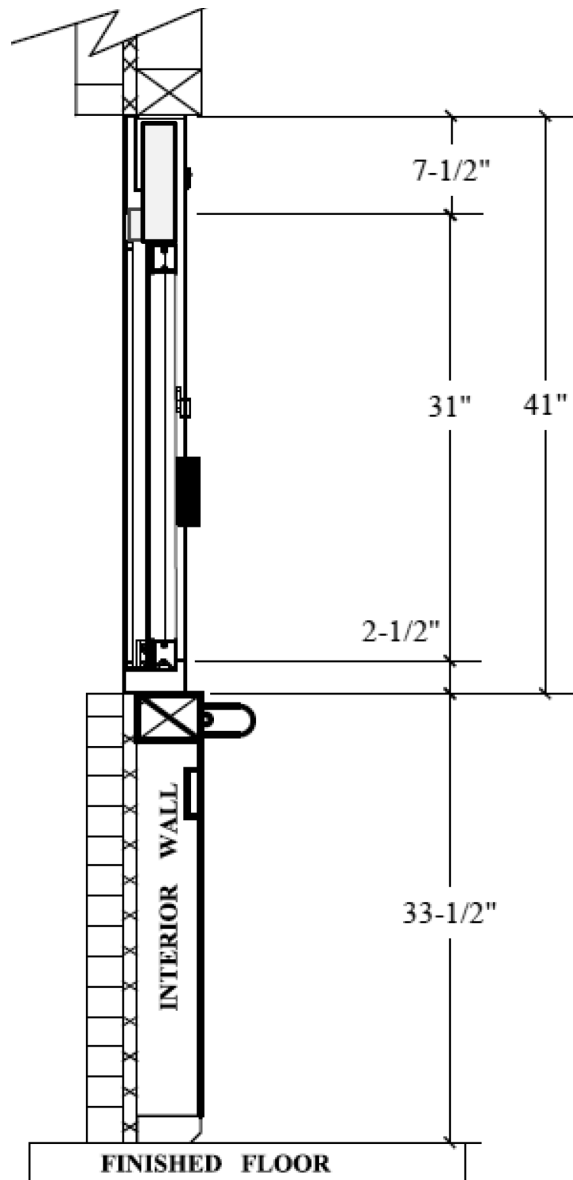
ROUGH OPENING: 72-1/2"(w) x 41-1/2"(h)

SERVICE OPENING: 29-1/2"(w) x 36-1/2"(h)



MAIN VIEW

SIDE VIEW



ALL QUIKSERV PRODUCTS ARE SHIPPED FULLY-ASSEMBLED and READY TO INSTALL. EACH ELECTRICAL UNIT IS SHIPPED WITH A FOUR FOOT (4') BX DROP.