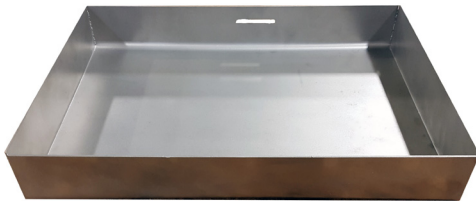


DEAL TRAYS & SHELVES



QS-1612



Bullet Resistant Deal Tray



QSS-4612



QSS-916 and QSS-75



QSS-36 and QSS-36S

DEAL TRAYS

Models QS-1612 and QS-1110 are fabricated from 18 gauge (.048) stainless steel. The trays are constructed in one piece which offers an efficient and easy to maintain pass-thru system when installed in your counter-top. To accommodate your needs Quickserv Deal Trays are offered in two sizes, 16" x 12" and 11" x 10". The Deal Tray allows a fast and secure way of passing coins, cash, and other items to your customers. We also have bullet resistant deal trays to deter ricochet from any projectiles that may hit the tray and protect those on the secure side of the pass-thru system. Bullet resistant deal trays are not sold separately but as part of complete pass-thru system.

SHELVES

Shelves are widely used as a writing or purse shelf. Mounted on the exterior wall horizontal to the transaction drawer or deal tray gives your customers easy access. Made of 16 ga. stainless steel with pre-drilled mounting holes and shipped ready for installation.

MODEL QSS-4612

Commonly used at coffee shops and restaurants that need an exterior staging area to serve their customers.

MODEL QSS-916

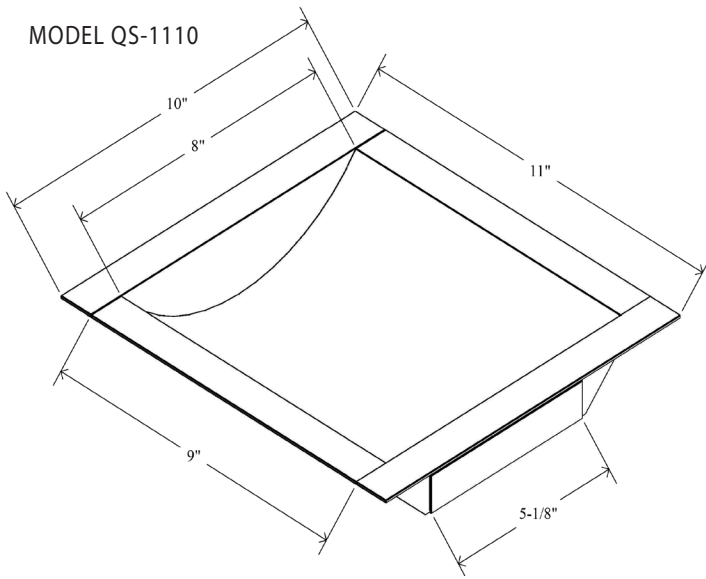
We also offer an ADA shroud to accompany this shelf (Model QS-7S).

MODEL QSS-36

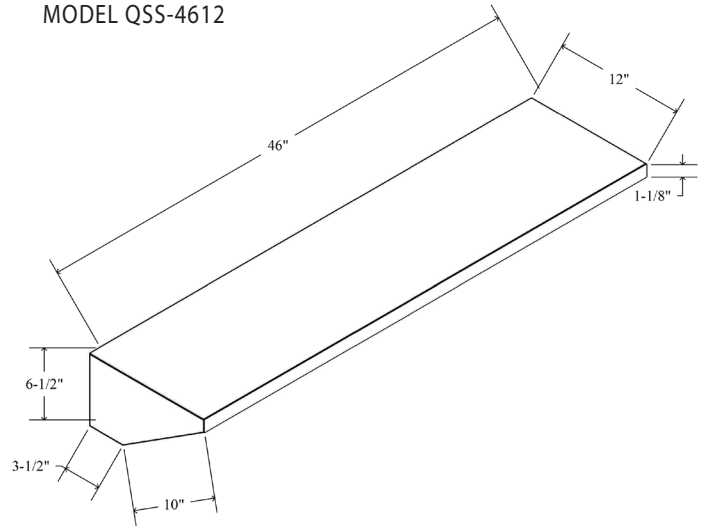
This shelf complies to the state of California ADA requirements for exterior writing shelves and is also used in multiple drive-thru window concepts. We also offer an ADA shroud to accompany this shelf (Model QS-36S).



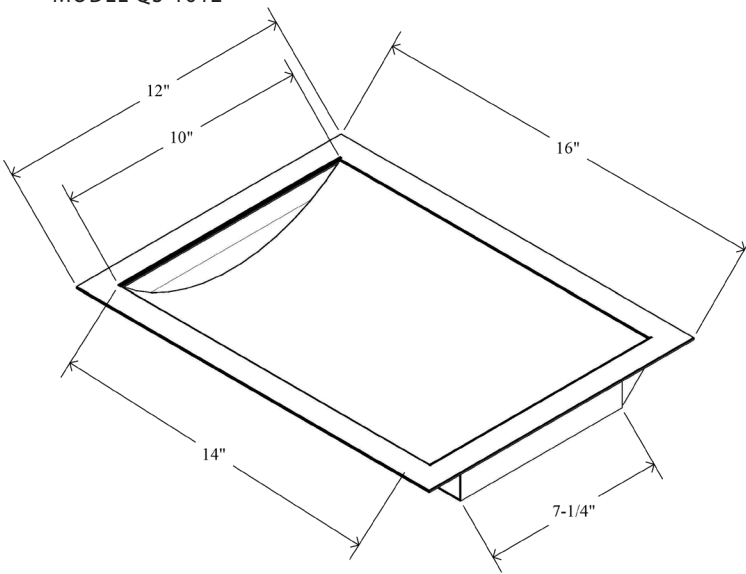
MODEL QS-1110



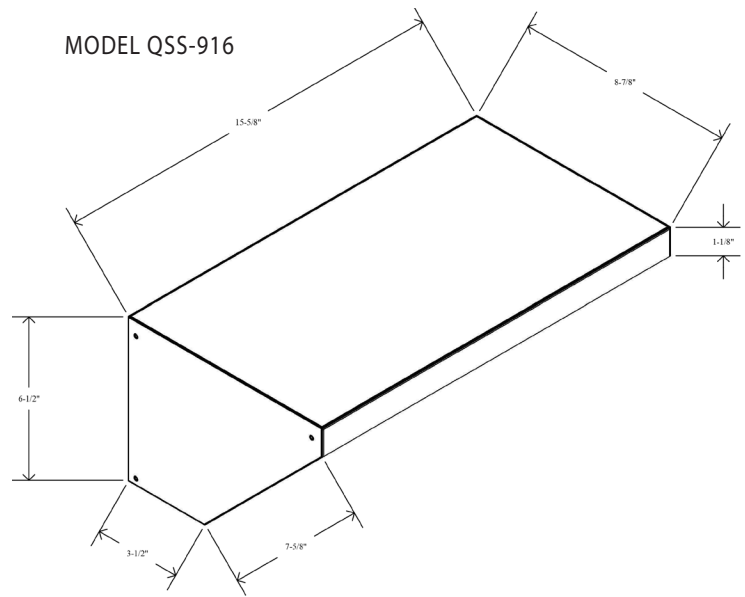
MODEL QSS-4612



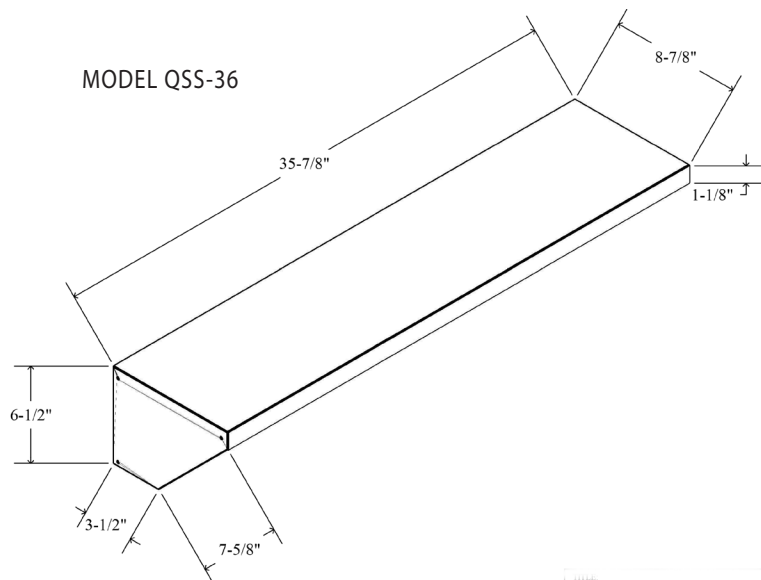
MODEL QS-1612



MODEL QSS-916



MODEL QSS-36



ALL QUIKSERV PRODUCTS ARE SHIPPED FULLY-ASSEMBLED and READY TO INSTALL.