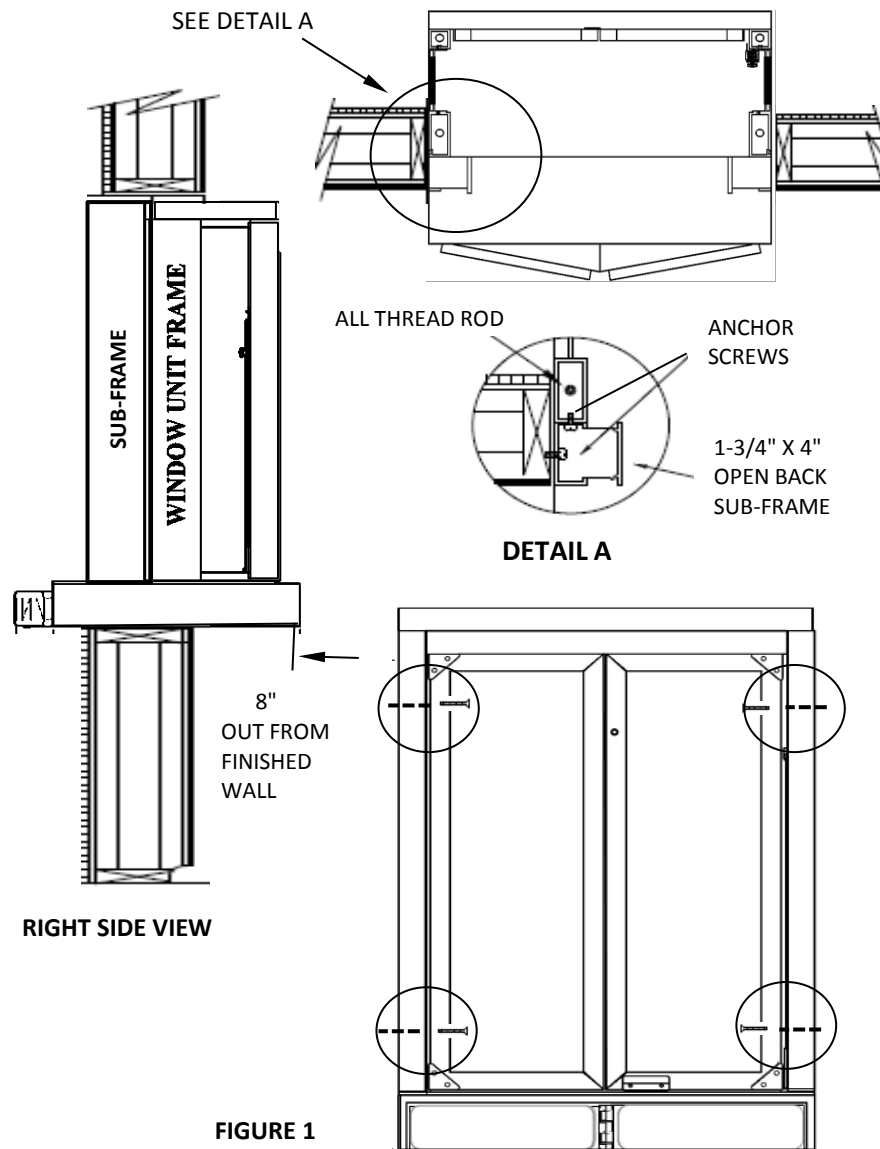


**TYPICAL  
PW5-16 INSTALLATION**

- 1) Quikserv windows must be installed level and square to work properly.
- 2) Install a 3 sided open back sub-frame 1-3/4" x 4". (Optional)
- 3) Anchor through each sub-frame at two places approx. 5" at top and bottom of each side jambs. (See Detail A)
- 4) If not using sub-frame, use caution when drilling thru each side jamb as all thread rods are located in each side jambs. (See Figure 1)
- 5) Recommended height from floor to service opening to be 36". ( Check all local and city codes )
- 6) Silicone all exterior and interior joints.
- 7) All other type of anchoring to be approved by certified engineer.



**FIGURE 1**

**General Notes**

**Actual Dimension**  
27-3/4"(W) x 40"(H)

**Service Opening**  
20"(W) x 32"(H)

**Rough Opening**  
28-1/8"(W) x 40-3/8"(H)

**NOTE 1:**  
Sash & glass must not be obscured by the exterior finished wall.

**NOTE 2:**  
1-3/4 x 4 open back sub frame with snap in cover supplied by others. (See Detail A)

**NOTE 3:**  
Anchor screws to be supplied by contractors (See Detail A)

**QUIKSERV**  
11441 BRITTMOORE PARK DR.  
HOUSTON, TX., 77041

TITLE: <b>INSTALLATION PROCEDURE</b>				
Drawing Name <b>PW5-16 INSTALLATION DRAWING</b>				
DATE 3/31/2016	DRAWN BY RBV	SCALE NTS	SHEET 1 of 1	SIZE <b>A</b>

NOTE: THIS DRAWING EMBODIES A CONFIDENTIAL PROPRIETY DESIGN ORIGINATED AND OWNED BY QUIKSERV CORP., AND IS SUBMITTED UNDER A CONFIDENTIAL RELATIONS ALL PATENT, MANUFACTURING, SALE RIGHTS REGARDING THE SAME ARE RESERVED EXCEPT TO THE EXTENT RIGHTS ARE EXPRESSLY GRANTED TO OTHERS. THE RECIPIENT AGREES BY ACCEPTING HIP. THESE DRAWINGS NOT TO SUPPLY OR DISCLOSE ANY INFORMATION REGARDING THEM TO ANY UNAUTHORIZED PERSON.





