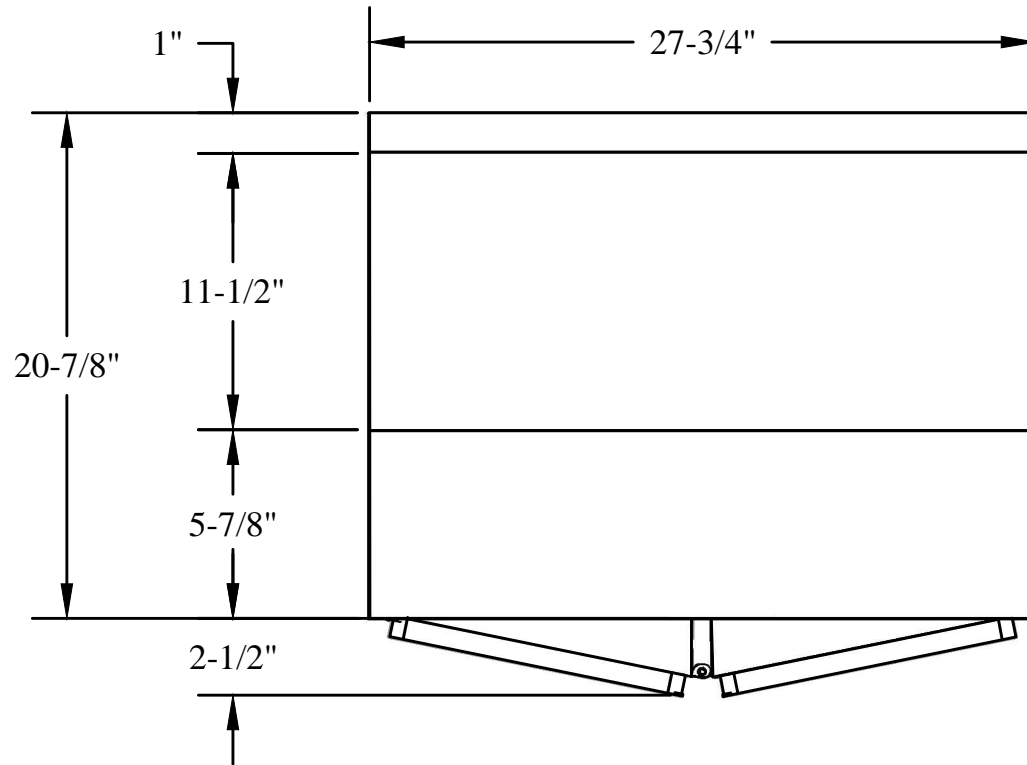


General Notes

Actual Dimension
27-3/4"(W) x 40"(H)

Service Opening
20"(W) x 24-1/4"(H)

Rough Opening
28-1/8"(W) x 40-3/8"(H)



QUIKSERV

11441 BRITTMOORE PARK DR.
HOUSTON, TX., 77041

TITLE: SEMI-AUTOMATIC WINDOW				
Drawing Name PW2-16 TOP VIEW				
DATE 3/23/2016	DRAWN BY RBV	SCALE 1:8	SHEET 3 of 4	SIZE A

NOTE: THIS DRAWING EMBODIES A CONFIDENTIAL PROPRIETY DESIGN ORIGINATED AND OWNED BY QUIKSERV CORP., AND IS SUBMITTED UNDER A CONFIDENTIAL RELATIONS ALL PATENT, MANUFACTURING, SALE RIGHTS REGARDING THE SAME ARE RESERVED EXCEPT TO THE EXTENT RIGHTS ARE EXPRESSLY GRANTED TO OTHERS. THE RECIPIENT AGREES BY ACCEPTING HIP. THESE DRAWINGS NOT TO SUPPLY OR DISCLOSE ANY INFORMATION REGARDING THEM TO ANY UNAUTHORIZED PERSON.