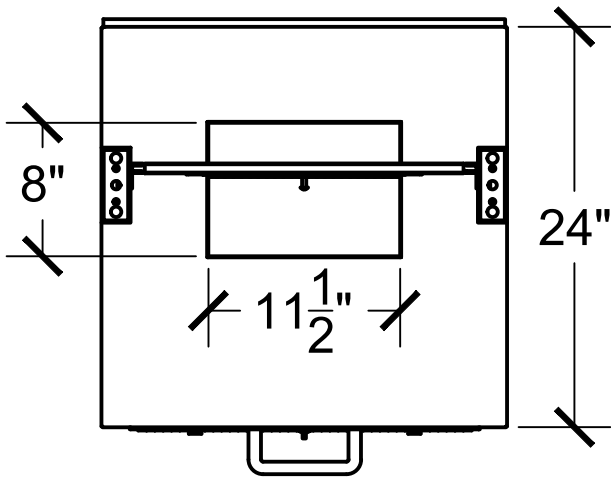
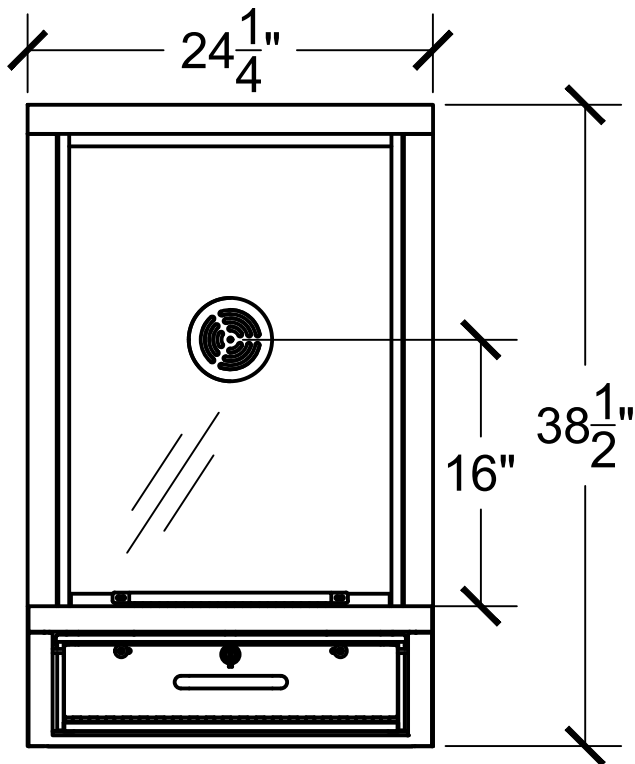


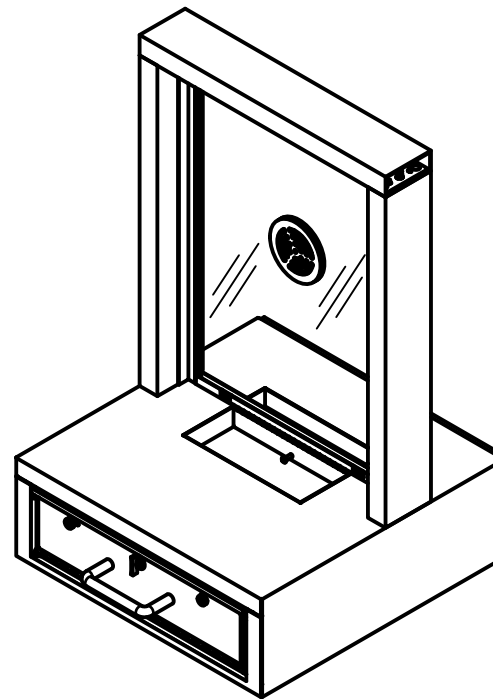
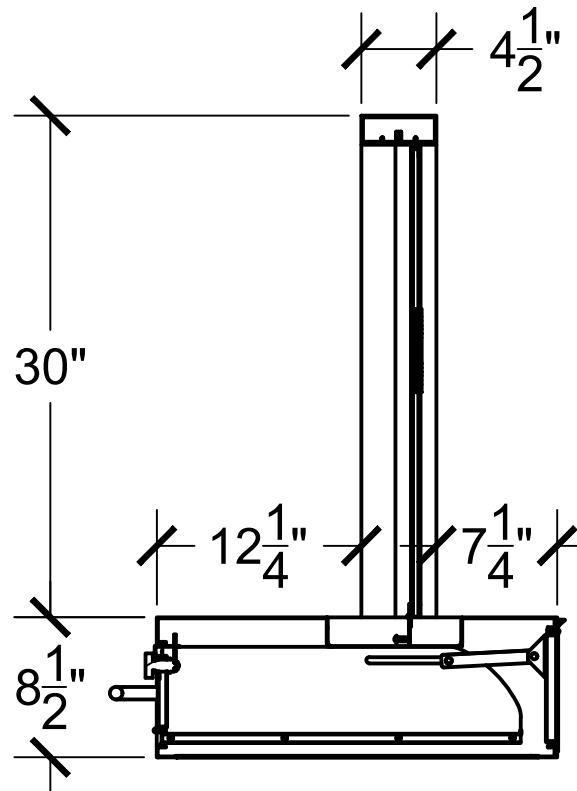
# TOP VIEW



# INTERIOR FRONT VIEW



# SIDE VIEW



### PLEASE SELECT:

#### 1. FRAMING:

- Aluminum
- UL Rated Alum

#### 2. FRAME COLOR:

- Bronze Anodized
- Clear Anodized

Other: \_\_\_\_\_

#### 3. GLAZING:

- 1/4" Tempered
- 1" Insulated
- 3/4" Poly - L1
- 1-1/4" Acrylic - L1
- 1-1/4" Poly - L3
- 1-1/4" Acrylic - L3
- Storm Impact Low-E

Other: \_\_\_\_\_

#### 4. DEAL TRAY TYPE:

- Non-BR - Curved
- BR - Square

#### 5. SPEAKER:

- 6" BR Speak-Thru (L3)
- 5" Non-BR Speak Plate
- SC-100 Amplified
- SC-100L Amplified

### Key Notes

Unit:

PIZZA DRAWER

Actual Dimension:

24 1/4" (W) X 38 1/2" (H) X 24" (L)

Rough Opening:

24 5/8" (W) X 38 7/8" (H)

### Engineer Notes

Date drawn: 2/14/20

Drawn by: Avasquez

File name: Pizza Drawer.dwg

Page: 1 of 1

Scale: 1:12

NOTE: THIS DRAWING EMBODIES A CONFIDENTIAL PROPRIETY DESIGN ORIGINATED AND OWNED BY QUIKSERV CORP., AND IS SUBMITTED UNDER A CONFIDENTIAL RELATIONS ALL PATENT, MANUFACTURING, SALE RIGHTS REGARDING THE SAME ARE RESERVED EXCEPT TO THE EXTENT RIGHTS ARE EXPRESSLY GRANTED TO OTHERS. THE RECIPIENT AGREES BY ACCEPTING THESE DRAWINGS NOT TO SUPPLY OR DISCLOSE ANY INFORMATION REGARDING THEM TO ANY UNAUTHORIZED PERSONAL.

SIGNATURE: \_\_\_\_\_

DATE: \_\_\_\_\_