

TYPICAL IFT-4860E INSTALLATION

- 1) Quikserv windows must be installed level and square to work properly.
- 2) Anchor through each side jamb at three places approx. 5" at top and bottom of each jamb as well as the middle of each jamb.(See Fig. 1)
- 3) 115V / 15 Amp. Dedicated circuit required.
- 4) Recommended height from floor to service opening to be 36". (Check all local and city codes)
- 5) Silicone all exterior and interior joints.
- 6) All other type of anchoring to be approved by certified engineer.

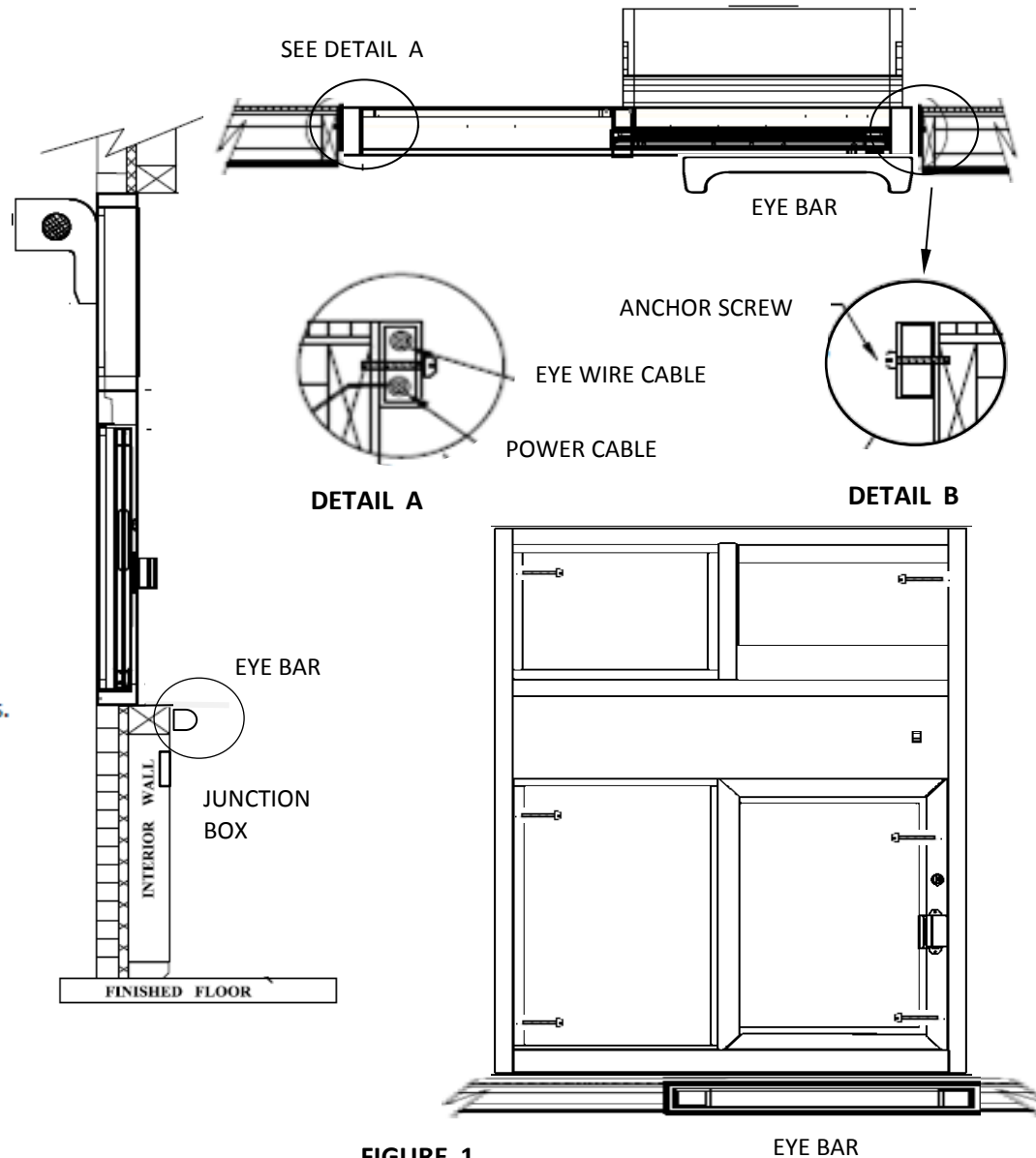


FIGURE 1

General Notes

Actual Dimension
47-1/2"(W) x 59-1/2"(H)

Service Opening
20-1/4"(W) x 29-1/2"(H)

Rough Opening
48"(W) x 60"(H)

NOTE 1:
Anchor Screws to be supplied by contractor.

NOTE 2:
The junction box for power supply to be supplied by contractor.

NOTE 3:
Eye set to be mounted directly below the service opening. Bar to be mounted on the wall. The outside edge of the eye bar be lined up with the outside edge of the side jamb of the operating door. (See Figure 1)

CAUTION:
Use caution when drilling. The power supply cable and the eye wire are located in the left hand jamb. (See Detail A)

QUIKSERV
11441 BRITTMOORE PARK DR.
HOUSTON, TX., 77041

TITLE: INSTALLATION PROCEDURE				
Drawing Name IFT-4860E INSTALLATION DRAWING				
DATE 4/13/2016	DRAWN BY RBV	SCALE NTS	SHEET 1 of 1	SIZE A

NOTE: THIS DRAWING EMBODIES A CONFIDENTIAL PROPRIETY DESIGN ORIGINATED AND OWNED BY QUIKSERV CORP., AND IS SUBMITTED UNDER A CONFIDENTIAL RELATIONS ALL PATENT, MANUFACTURING, SALE RIGHTS REGARDING THE SAME ARE RESERVED EXCEPT TO THE EXTENT RIGHTS ARE EXPRESSLY GRANTED TO OTHERS. THE RECIPIENT AGREES BY ACCEPTING HIP. THESE DRAWINGS NOT TO SUPPLY OR DISCLOSE ANY INFORMATION REGARDING THEM TO ANY UNAUTHORIZED PERSON.